

NUNTAWOOT PANGPUKDEE



นันทวุฒิ แพนงักดิ์

Nickname Dome 中国名字 : 海洋

DIRECTOR

Mobile : 062 252 6262, 086 374 2236

Mobile : 156 2640 5139

Line : 3742236

Skype : Skype dome_np



LINE@ : @lu1049p



WeChat : dome3742236

Office : 02 644-9601

Fax : 02 644-9601

E-mail : mecc.engineer@gmail.com

E-mail : Dome_np@hotmail.com

Website : www.mecc-equipment.com

บริษัท เอ็นอีซี เอ็นจิเนียริง (ประเทศไทย) จำกัด
เลขที่ 332/158 หมู่ที่ 3 ต.บางกรวย-ไทรน้อย
อ.บางกรวย จ.นนทบุรี 11110

MECC Engineering Thailand co.,ltd.
332/158 Moo.3 Bang Kruai-Sai Noi Road,
Bangrak Phatthana, Bang Bua Thong,
Nonthaburi 11110

เลขผู้เสียภาษี (Tax ID.)
0-1055-58028-39-3
Acc No. Kasikorn Bank (Thailand)
075-8-15787-3

THORN

LIGHTING

2018/2019



member of zumtobel group

COMING
SOON >



PopPack LED

A classic that remains as popular as ever, the latest Thorn PopPack provides enhanced flexibility.



Aquaforce Pro

With the brand-new Aquaforce Pro, performance and versatility have reached fresh heights. The IP66-rated fitting is available with a range of different light distributions.



Isaro Pro

The robust and high-performance LED street lantern that is suitable for any road and street. Made from best-in-class materials, Isaro Pro is built to withstand the demands of the urban environment.

THORN

LIGHTING

NUNTAWOOT PANGPUKDEE



นันทวุฒิ แพ่งภักดี

Nickname Dome 中国名字 : 海洋

DIRECTOR

Mobile : 062 252 6262, 086 374 2236

Mobile : 156 2640 5139

Line : 3742236

Skype : Skype dome_np



LINE® : @lu1049p



WeChat : dome3742236

Office : 02 644-9601

Fax : 02 644-9601

E-mail : mecc.engineer@gmail.com

E-mail : Dome_np@hotmail.com

Website : www.mecc-equipment.com

บริษัท เอ็นอีซี เอ็นจิเนียริ่ง (ประเทศไทย) จำกัด
เลขที่ 332/158 หมู่ที่ 3 ต.บางกรวย-ไทรน้อย
อ. บางกรวย จ.นนทบุรี 11110

MECC Engineering Thailand co.,Ltd.
332/158 Moo,3 Bang Krui-Sai Noi Road,
Bangrak Phatthana, Bang Bua Thong,
Nonthaburi 11110

เลขผู้เสียภาษี (Tax ID.)
0-1055-58028-39-3
Acc No. Kasikorn Bank (Thailand)
075-8-15787-3

Your global partner for reliable lighting solutions.

Thorn, part of the Zumtobel Group, is a well-established supplier of interior and exterior lighting. Whether it is lighting sports venues, roads, offices, schools, retail outlets, logistics centres or industrial complexes - lighting is Thorn's passion and has been for 90 years. We create user-friendly lighting solutions that give optimum lighting quality with the best possible price-performance ratio. Simplicity of installation and operation are our priorities. We believe in long-standing partnerships and are constantly working to make sure that our customers are delighted with their Thorn experience. As a global brand we have a presence in more than 100 countries, providing lighting, security, comfort and convenience.



YEARS

EST. 1928



LIGHTING THE PAST
AND THE FUTURE



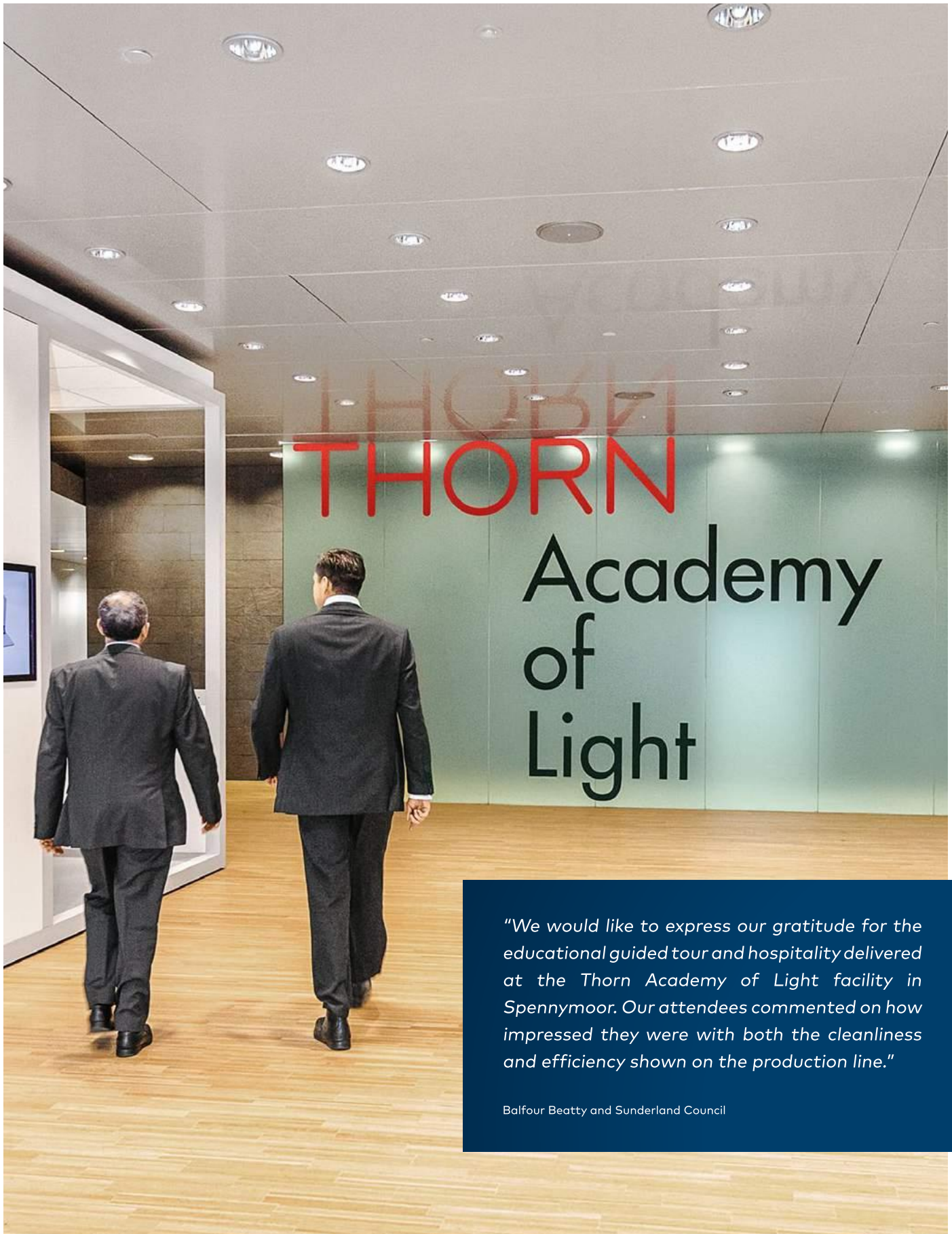
thornlighting.co.uk/90years

Thorn Academy of Light

The Thorn Academy of Light is based in Spennymoor, England. Visitors can experience lighting in operation and on display. A number of different workshops and training courses are also available.

The mission of the Thorn Academy of Light is to communicate and promote knowledge and creativity in professional lighting. Delivering the ideal balance between lighting quality and energy efficiency is a priority. Our ultimate aim is complete customer satisfaction.

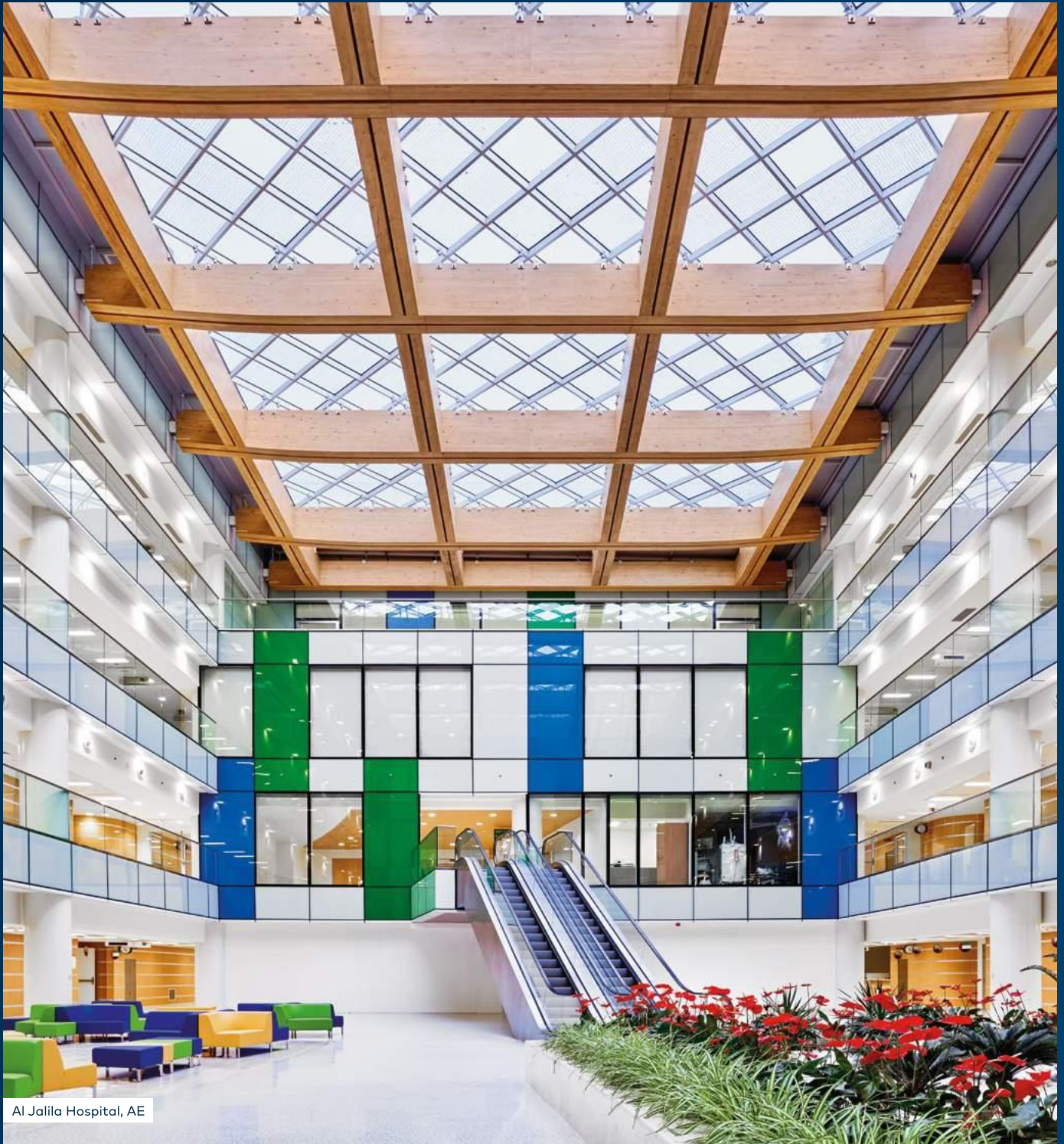




"We would like to express our gratitude for the educational guided tour and hospitality delivered at the Thorn Academy of Light facility in Spennymoor. Our attendees commented on how impressed they were with both the cleanliness and efficiency shown on the production line."

Balfour Beatty and Sunderland Council

International Projects



Al Jallila Hospital, AE



Oslo, NO



Geoffroy-Guichard Stadium, FR



Nordic Ski Arena Kandersteg, CH



Wilko, UK

UK Projects



Derby Arena and Velodrome, UK



Wembley Stadium, UK



Morgan Sindall, UK



Papa John's HQ, UK



Adnams Brewery, Suffolk, UK



South Tyneside, UK

Contents

NUNTAWOOT PANGPUKDEE



นันทวุฒิ แพ่งภักดี

Nickname Dome 中国名字：海洋

DIRECTOR

Mobile : 062 252 6262, 086 374 2236

Mobile : 156 2640 5139

Line : 3742236

Skype : Skype dome_np



LINE@ : @luf1049p



WeChat : dome3742236

Office : 02 644-9601

Fax : 02 644-9601

E-mail : mecc.engineer@gmail.com

E-mail : Dome_np@hotmail.com

Website : www.mecc-equipment.com

บริษัท นันทวุฒิ แพนงภักดี (ประเทศไทย) จำกัด
เลขที่ 332/158 หมู่ที่ 3 ถนนบางพระ-ไทรน้อย
ต. บางรักพัฒนา อ. บางบัวทอง จ.นนทบุรี 11110

MECC Engineering Thailand co.,ltd.
332/158 Moo.3 Bang Krui-Sai Noi Road,
Bangrak Phatthana, Bang Bua Thong,
Nonthaburi 11110

เลขผู้เสียภาษี (Tax ID.)
0-1055-58028-39-3
Acc No. Kasikorn Bank (Thailand)
075-8-15787-3

Indoor Lighting

| | |
|--|----|
| Downlights | 15 |
| Direct/Indirect and Surface Luminaires | 25 |
| Trunking and Battens | 39 |
| Recessed Modular Luminaires | 49 |
| Wall and Ceiling Decorative Luminaires | 59 |
| Spotlights | 71 |
| Industrial Luminaires | 77 |
| Sports Luminaires | 91 |

Outdoor Lighting

| | |
|---|-----|
| Recessed Architectural Floodlighting | 97 |
| Surface Mounted Architectural Floodlighting | 107 |
| Area Floodlighting | 125 |
| Sports Floodlighting | 137 |
| Wall Mounted Luminaires | 147 |
| Urban Amenity Lighting | 157 |
| Street Lighting | 187 |
| Tunnel Lighting | 207 |

Emergency Lighting

| | |
|---------------------------------|-----|
| Emergency Lighting Introduction | 214 |
| Emergency Lighting Luminaires | 226 |

Zumtobel Group Services 240

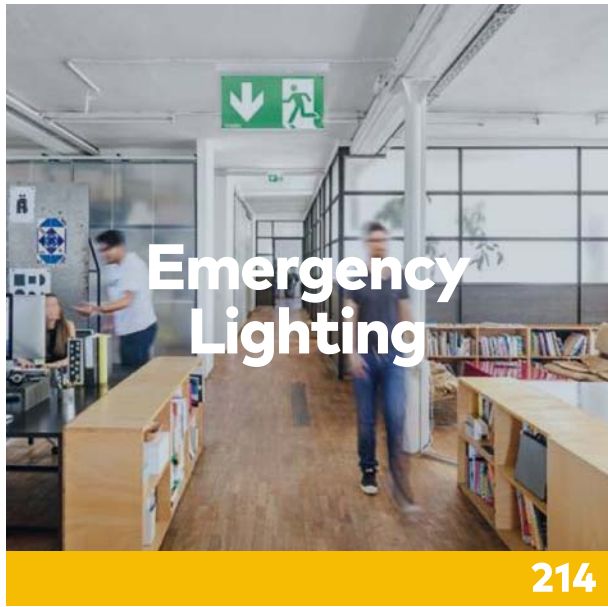
General Information

| | |
|--------------------|-----|
| Safety and Quality | 260 |
| Index | 264 |



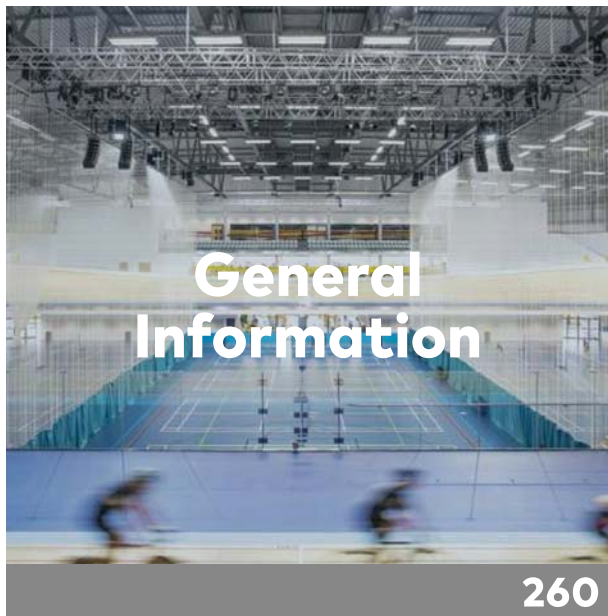
Indoor Lighting

15



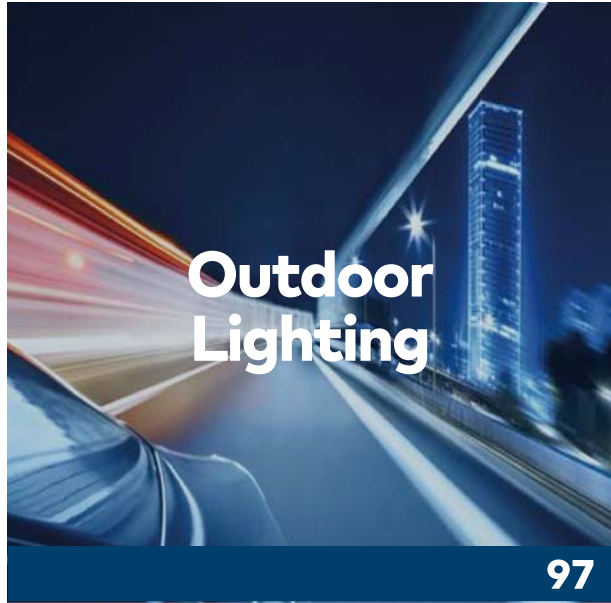
Emergency Lighting

214



General Information

260



Outdoor Lighting

97



Zumtobel Group Services

240

Understanding our catalogue numbers

We have rolled out a new initiative to simplify our ordering process, making it even easier for customers to work with us. To support this we are listing all of our indoor and outdoor luminaires with an alphanumeric catalogue number in addition to the SAP code and SAP description.

The benefits of this initiative are:

- Easily identifiable part numbers by product range
- Clear and consistent logic across indoor and outdoor product ranges
- Orders into our business can now be accepted for all products using a catalogue reference number
- Simplified order placement and processing
- Reduction in order complexity and potential errors during ordering

| Range (e.g.) | | Sub-range | | LED lumen output | | Gear | |
|--------------|-----------|-----------------|------------------------|--------------------|--------------|------|----------------------------------|
| AQ | AquaForce | E | Eco | 2000 | 2000 lumens | Z | High Frequency |
| CH | Chalice | S | Small | 4000 | 4000 lumens | D | DSI/DALI dimmable |
| LE | Leopard | L | Large | 6000 | 6000 lumens | X | DALI dimmable |
| JU | Jupiter | Shape | | 14000 | 14000 lumens | ZS | High Frequency + Sensor |
| MN | Menlo | R | Round | Lamp no. + wattage | | DS | DSI/DALI dim + Sensor |
| | | S | Square | 135 | 1 x 35W | DC | DSI/DALI dim + Corridor Function |
| | | Mounting option | | 249 | 2 x 49W | | |
| | | R | Recessed | 314 | 3 x 14W | | |
| | | SR | Semi-recessed | 424 | 4 x 24W | | |
| | | SF | Surface | 170 | 1 x 70W | | |
| | | S | Suspended | 150 | 1 x 150W | | |
| | | SS | System Suspended | | | | |
| | | SSF | System Surface | | | | |
| | | DI | Direct/Indirect | | | | |
| | | SDI | System Direct/Indirect | | | | |

Sample catalogue number

LE | R | 128 | Z | E | PR | W

Range | Sub-range | LED lumen output | Gear | Emergency | Optic | Color

| Emergency | | Optic | | Colour | | Miscellaneous | |
|-----------|---------------------------|-------|-----------------------------|--------|------------|---------------|----------------------|
| E | 3hr standard emergency | LV | Louvre | W | White | PB | Plasterboard version |
| EX | 3hr adressable emergency | OP | Opal | B | Black/Blue | FIL | Filter |
| EH | 3hr high-output emergency | PR | Prismatic | G | Grey/Green | REF | Reflector |
| | | MP | Micro prism tech/perforated | R | Red | DIF | Diffuser |
| | | RK | Rack | Y | Yellow | 3K | 3000K |
| | | WD | Wide | | | 4K | 4000K |
| | | NW | Narrow | | | C | Connect version |
| | | SP | Spot | | | | |
| | | FL | Flood | | | | |
| | | M | Medium beam | | | | |
| | | AS | Asymetric | | | | |
| | | MB | Mirrorbrite | | | | |
| | | SB | Satinbrite | | | | |

Notes:

The logic set out here is followed as closely as possible for all Indoor/ Outdoor Product ranges within the Thorn Lighting portfolio. As all ranges differ in scope, the requirement for each element of the catalogue number is defined range by range, so some ranges require more fields than others. The examples above show how each element of the catalogue number refers to some of the key product features.

In some instances the same abbreviation may be used for different features. eg B = Black, B = Blue or MP = Microprism technology, MP = Microperforated. This is not the case if both these features are common to the same product range and an extra letter may be used to differentiate between each version.



Indoor Lighting

DOWNLIGHTS



16
Chalice



18
Chalice Pro



20
Chalice Pro HO



22
Cetus LED



www.thornlighting.co.uk/CHLC
www.thornlighting.ie/CHLC



- High efficacy of up to 110lm/W for low energy consumption
- Less than 100mm overall height making it ideal for low ceiling void depth
- IP54 as standard for use in bathrooms/washrooms
- CFL replacement with low maintenance lifetime of L80 50,000 hours
- Other options are available. See myProduct for configuration options: www.thornlighting.co.uk/en-gb/products/myproduct

MATERIALS/FINISH

Housing/body material: Aluminum painted white
Bezel finish: RAL9016
Reflector finish: Satin

INSTALLATION/MOUNTING

Chalice can be installed directly from the box into a wide range of ceiling types including thicknesses from 1mm-40mm. Remote driver makes installation and maintenance quick and easy.

SPECIFICATION

To specify state:
A recessed LED downlight incorporating a thermally optimised, deep drawn aluminium body with IP54 as standard. Fixed or dimmable output or with emergency function. Correlated colour temperature is 3000K/4000K with CRI >80 and UGR <22. Overall height <100mm and cut out of 150mm or 200mm Lifetime is 50,000 hours (L80) at Ta 25°C.
As Thorn Chalice.



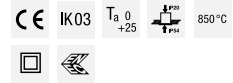
Frosted ring

LAMPS

LED

12.3-27.5W

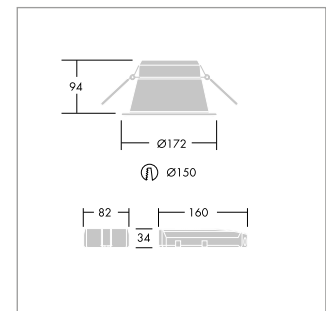
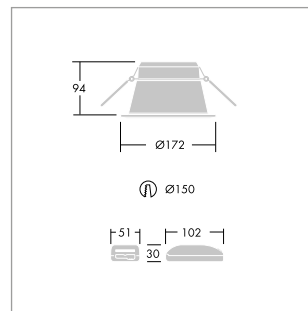
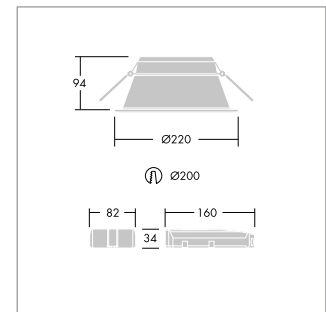
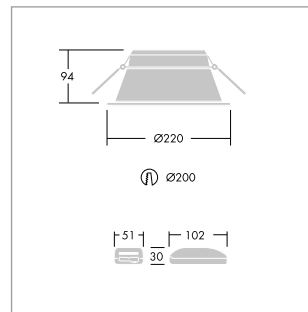
STANDARDS



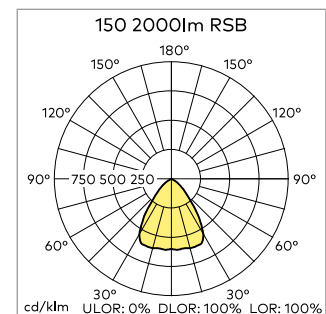
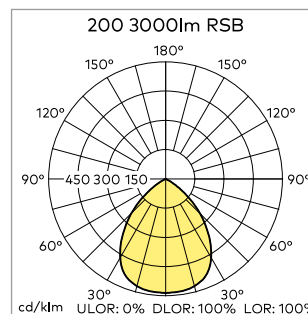
ORDERING GUIDE

| Description | Wt (kg) | SAP Code | Cat. No. |
|-----------------------------|---------|----------|---------------|
| Chalice 200 | | | |
| CHAL 200 LED1400-830 HF RSB | 0.76 | 96629019 | |
| CHAL 200 LED1400-840 HF RSB | 0.76 | 96629020 | |
| CHAL 200 LED2000-840 HF RSB | 0.76 | 96642305 | CH2002000ZS4K |
| CHAL 200 LED2000-830 HF RSB | 0.76 | 96642304 | CH2002000ZS3K |
| CHAL 200 LED3000-830 HF RSB | 0.89 | 96629021 | |
| CHAL 200 LED3000-840 HF RSB | 0.89 | 96629022 | |
| Chalice 150 | | | |
| CHAL 150 LED1400-830 HF RSB | 0.46 | 96629023 | |
| CHAL 150 LED1400-840 HF RSB | 0.46 | 96629024 | |
| CHAL 150 LED2000-830 HF RSB | 0.46 | 96629025 | |
| CHAL 150 LED2000-840 HF RSB | 0.46 | 96629026 | |
| CHAL 150 LED3000-830 HF RSB | 0.59 | 96629027 | |
| CHAL 150 LED3000-840 HF RSB | 0.59 | 96629028 | |
| Chalice Attachments | | | |
| CHAL 150 FROSTED RING | 0.05 | 96627651 | CH150FR |
| CHAL 200 FROSTED RING | 0.10 | 96627649 | CH200FR |
| Chalice Accessory | | | |
| CHAL MSF HOUSING | 1.02 | 96628908 | |

To make reading our ordering guides easier please use the SAP description key fold out, inside the back cover. For more information please visit our website www.thornlighting.co.uk and simply search for our products.



| Chalice version | Lumen package | lm/W | Replacement | Colour temp |
|-----------------|---------------|------|---------------------------|-------------|
| Chalice 150 | 1400 | 115 | Replacement for 1x26W CFL | 3000K/4000K |
| Chalice 150 | 2000 | 114 | Replacement for 2x26W CFL | 3000K/4000K |
| Chalice 150 | 3000 | 106 | Replacement for 2x32W CFL | 3000K/4000K |
| Chalice 200 | 1400 | 109 | Replacement for 1x26W CFL | 3000K/4000K |
| Chalice 200 | 2000 | 117 | Replacement for 2x26W CFL | 3000K/4000K |
| Chalice 200 | 3000 | 114 | Replacement for 2x32W CFL | 3000K/4000K |



Chalice

Pro



www.thornlighting.co.uk/CHLP
www.thornlighting.ie/CHLP



High performance LED downlight offering exceptional efficiency and highest LED lifetime



- Class leading efficacy of up to 120lm/W
- High performance optic and light mixing chamber for a uniform lit appearance
- Unified glare ratio <19, CRI 80 and CRI 90 for high quality lighting applications
- Compact 150mm cut out diameter and overall height of 94mm to meet design requirements
- Other options are available. See myProduct for configuration options: www.thornlighting.co.uk/en-gb/products/myproduct

MATERIALS/FINISH

Housing/body material: Aluminium painted white
Bezel finish: RAL9016
Reflector finish: Specular or Satin

INSTALLATION/MOUNTING

Suitable for recessed ceiling mounting, cut out dimension: Ø150mm. Chalice Pro can be installed directly from the box into a wide range of ceiling types including thicknesses from 1mm-40mm. Remote driver makes installation and maintenance quick and easy.

SPECIFICATION

To specify state:
Chalice Pro downlight incorporating thermally optimised, aluminium body with IP54 as standard. A recessed LED downlight with specular or satin reflector held in place via bayonet lock, rapid tool-free mounting, Ø150mm cut-out. Suitable for ceiling thicknesses 1-40mm. Integral 1100/2000/3000 lm with passive cooling, choice of 2 light colours: 3000K and 4000K, loop in/out wiring.
As Thorn Chalice Pro.



Satin reflector



Wallwasher



Frosted ring



Halo ring

LAMPS

LED

9-29.9W

STANDARDS

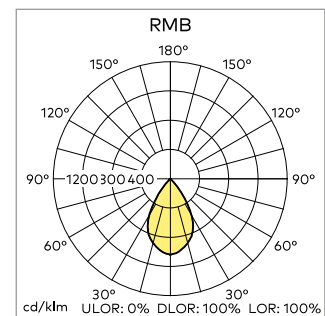
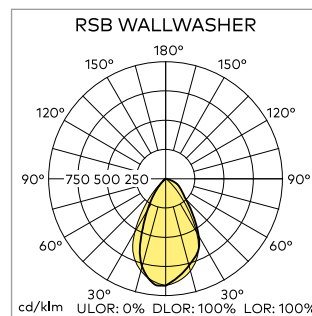
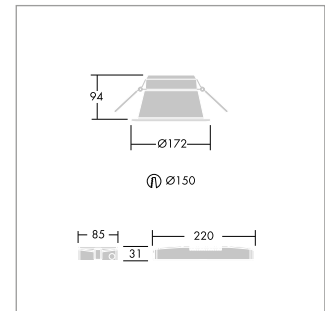
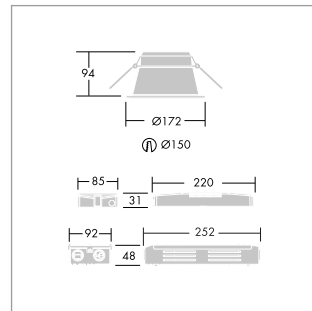


ORDERING GUIDE

| Description | Wt (kg) | SAP Code | Cat. No. |
|--|---------|----------|-------------|
| Chalice Pro CRI 90, Mirrorbrite Reflector, Dimmable | | | |
| CHAL PRO LED900-930 HFIX RMB W6 | 0.71 | 96642629 | CHR900XM3K |
| CHAL PRO LED900-940 HFIX RMB W6 | 0.71 | 96642630 | CHR900XM4K |
| CHAL PRO LED1600-930 HFIX RMB W6 | 0.71 | 96642631 | CHR1600XM3K |
| CHAL PRO LED1600-940 HFIX RMB W6 | 0.71 | 96642632 | CHR1600XM4K |
| CHAL PRO LED2400-930 HFIX RMB W6 | 0.78 | 96642625 | CHR2400XM3K |
| CHAL PRO LED2400-940 HFIX RMB W6 | 0.78 | 96642626 | CHR2400XM4K |
| Chalice Pro CRI 90, Satinbrite Reflector, Dimmable | | | |
| CHAL PRO LED900-930 HFIX RSB W6 | 0.71 | 96642633 | CHR900XS3K |
| CHAL PRO LED900-940 HFIX RSB W6 | 0.71 | 96642634 | CHR900XS4K |
| CHAL PRO LED1600-930 HFIX RSB W6 | 0.71 | 96642635 | CHR1600XS3K |
| CHAL PRO LED1600-940 HFIX RSB W6 | 0.71 | 96642636 | CHR1600XS4K |
| CHAL PRO LED2400-930 HFIX RSB W6 | 0.78 | 96642627 | CHR2400XS3K |
| CHAL PRO LED2400-940 HFIX RSB W6 | 0.78 | 96642628 | CHR2400XS4K |
| Chalice Pro CRI 80, Mirrorbrite Reflector, Dimmable | | | |
| CHAL PRO LED1100-840 HFIX RMB W6 | 0.71 | 96642357 | CHR1100XM4K |
| CHAL PRO LED1100-830 HFIX RMB W6 | 0.71 | 96642356 | CHR1100XM3K |
| CHAL PRO LED2000-840 HFIX RMB W6 | 0.71 | 96642359 | CHR2000XM4K |
| CHAL PRO LED2000-830 HFIX RMB W6 | 0.71 | 96642358 | CHR2000XM3K |
| CHAL PRO LED3000-840 HFIX RMB W6 | 0.78 | 96642361 | CHR3000XM4K |
| CHAL PRO LED3000-830 HFIX RMB W6 | 0.78 | 96642360 | CHR3000XM3K |
| Chalice Pro CRI 80, Satinbrite Reflector, Dimmable | | | |
| CHAL PRO LED1100-840 HFIX RSB W6 | 0.71 | 96642333 | CHR1100XS4K |
| CHAL PRO LED1100-830 HFIX RSB W6 | 0.71 | 96642332 | CHR1100XS3K |
| CHAL PRO LED2000-840 HFIX RSB W6 | 0.71 | 96642335 | CHR2000XS4K |
| CHAL PRO LED2000-830 HFIX RSB W6 | 0.71 | 96642334 | CHR2000XS3K |
| CHAL PRO LED3000-840 HFIX RSB W6 | 0.78 | 96642337 | CHR3000XS4K |
| CHAL PRO LED3000-830 HFIX RSB W6 | 0.78 | 96642336 | CHR3000XS3K |
| Chalice Pro Attachments | | | |
| CHAL 150 FROSTED RING | 0.05 | 96627651 | CH150FR |
| CHAL PRO HALO RING | 0.17 | 96627650 | CHRHALO |
| CHAL PRO WALLWASHER RMB W6 | 0.17 | 96628054 | CHRMWW |
| CHAL PRO WALLWASHER RSB W6 | 0.17 | 96627652 | CHRSWW |

To make reading our ordering guides easier please use the SAP description key fold out, inside the back cover. For more information please visit our website www.thornlighting.co.uk and simply search for our products.

| Chalice version | Lumen package | lm/W | Replacement | Colour temp |
|--------------------|---------------|------|---------------------------------|-------------|
| Chalice Pro CRI 80 | 1100 | 122 | Replacement for 1x26W CFL | 3000K/4000K |
| Chalice Pro CRI 80 | 2000 | 122 | Replacement for 2x26W CF | 3000K/4000K |
| Chalice Pro CRI 80 | 3000 | 118 | Replacement for 2x32W CFL | 3000K/4000K |
| Chalice Pro CRI 90 | 900 | 99 | Replacement for 1x18W CFL | 3000K/4000K |
| Chalice Pro CRI 90 | 1600 | 99 | Replacement for 2x18W/1x32W CFL | 3000K/4000K |
| Chalice Pro CRI 90 | 2400 | 96 | Replacement for 2x26W CFL | 3000K/4000K |



NEW

Chalice

Pro HO



www.thornlighting.co.uk/CHPH
www.thornlighting.ie/CHPH

A highly performant recessed or surface mounted downlight range for all buildings with high ceiling structure



- High lumen output LED downlight for high ceiling
- Direct replacement for downlights with 70W/100W/150W HID lamps
- Surface mount version (full housing body): IP65. Luminaire efficacy: 106lm/W
- Recessed mounted version (front surface): IP54. Luminaire efficacy: 108lm/W
- Digital dimming version available and emergency option on request

MATERIALS/FINISH

Body: aluminium, painted white (RAL 9016)
 Reflector: high grade anodised aluminium
 Clips: quick-fix stainless steel with spring cover
 Bezel: aluminium

INSTALLATION/MOUNTING

Recessed: Adjustable fixing clips suitable for ceiling thicknesses from 1–25mm. No tools required. Cut out diameter 200mm

Surface mounted: 3 key hole fixing points in the installation plate directly to the ceiling. Luminaire body is retained by a bayonet twist and lock function to the installation plate

Rod suspended: 3 fixing points for screw mounting the rod to the ceiling, 3 key hole fixing assembling the installation plate to the suspension rod and bayonet twist and lock function to the install the luminaire body to the installation plate

Electrical connection via 3 or 5 pole push in terminal block suitable for loop in/loop out wiring, for stripped wires up to 2,5mm²

SPECIFICATION

To specify state:
 Recessed, surface mounted or rod suspended LED downlight optimised for efficient, energy saving high-output general lighting in retail and transportation applications; passive cooling thanks to innovative thermal design with recessed or integrated driver; dimming and controls option available; Colour rendering Ra > 80, CRI>90 option on request; colour temperature 3000K and 4000K, 4 different beam shapes, rotationally symmetrical; Chromaticity tolerance (initial MacAdam): 3; exceptional long lifetime performance Ta25° up to 100.000h for luminous flux at L80 of initial value; mains voltage: 220-240V/ 50/60Hz; highly efficient aluminium reflector; rod suspension kit to be ordered separately.
 As Thorn Chalice Pro HO

ORDERING GUIDE

| Description | Wt (kg) | SAP Code |
|---|---------|----------|
| Chalice Pro HO Surface | | |
| CHAL PRO LED5000-830 HF MB W6 MSF | 3.00 | 96666159 |
| CHAL PRO LED5000-840 HF MB W6 MSF | 3.00 | 96666160 |
| CHAL PRO LED7500-830 HF MB W6 MSF | 3.80 | 96666163 |
| CHAL PRO LED7500-840 HF MB W6 MSF | 3.80 | 96666164 |
| CHAL PRO LED10000-830 HF MB W6 MSF | 3.80 | 96666167 |
| CHAL PRO LED10000-840 HF MB W6 MSF | 3.80 | 96666168 |
| Chalice Pro HO Surface, Dimmable | | |
| CHAL PRO LED5000-830 HFI MB W6 MSF | 3.00 | 96666161 |
| CHAL PRO LED5000-840 HFI MB W6 MSF | 3.00 | 96666162 |
| CHAL PRO LED7500-830 HFI MB W6 MSF | 3.80 | 96666165 |
| CHAL PRO LED7500-840 HFI MB W6 MSF | 3.80 | 96666166 |
| CHAL PRO LED10000-830 HFI MB W6 MSF | 3.80 | 96666169 |
| CHAL PRO LED10000-840 HFI MB W6 MSF | 3.80 | 96666170 |
| Chalice Pro HO | | |
| CHAL PRO LED5000-830 HF MB W6 MRE | 2.00 | 96666155 |
| CHAL PRO LED5000-840 HF MB W6 MRE | 2.00 | 96666156 |
| Chalice Pro HO, Dimmable | | |
| CHAL PRO LED5000-830 HFI MB W6 MRE | 2.00 | 96666157 |
| CHAL PRO LED5000-840 HFI MB W6 MRE | 2.00 | 96666158 |
| Chalice Pro HO Accessories | | |
| CHAL PRO MSF ROD KIT | 0.40 | 96666171 |

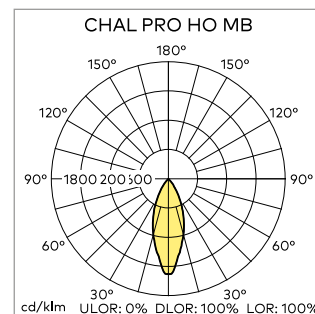
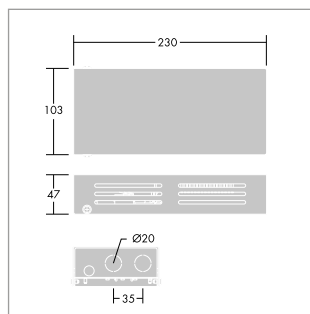
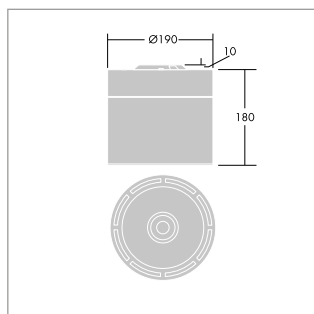
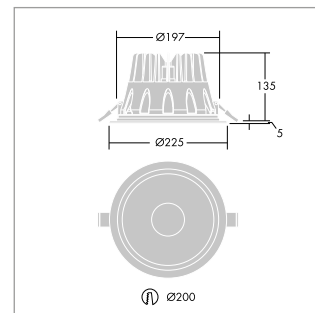
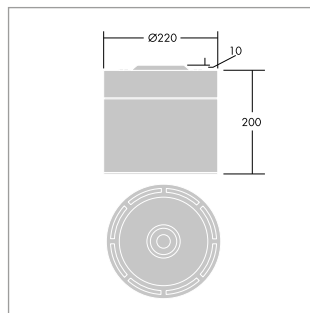
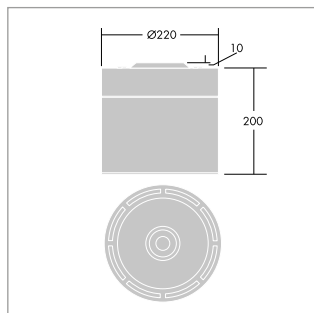
To make reading our ordering guides easier please use the SAP description key fold out, inside the back cover. For more information please visit our website www.thornlighting.co.uk and simply search for our products.

| Lumen package | Replacement | Energy saving |
|----------------|--|---------------|
| 5,000lm (45W) | Replacement for 70W HID recessed downlight | 35% |
| 5,000lm (45W) | Replacement for 70W HID surface mounted downlight | 35% |
| 7,500lm (68W) | Replacement for 100W HID surface mounted downlight | 32% |
| 10,000lm (91W) | Replacement for 150W HID surface mounted downlight | up to 40% |

LAMPS

 LED 46.3-97W

STANDARDS



Cetus

LED



www.thornlighting.co.uk/CTUL
www.thornlighting.ie/CTUL

Recessed LED downlight with low height, direct replacement for traditional 1x26W or 2x26W compact fluorescent downlights



- High efficacy of up to 110lm/W for low energy consumption
- Direct replacement for traditional 1x26W or 2x26W compact fluorescent downlights with up to 65% energy saving.
- Only 88mm overall height to allow installation into low and restricted ceiling voids
- Sealed to IP44 as standard, suitable for use in bathrooms without the need for separate attachments
- Integral 3 hour emergency option reduces installation time and complexity

MATERIALS/FINISH

Housing/body: aluminium, powder coated white RAL 9016
Reflector: powder coated white RAL 9016

INSTALLATION/MOUNTING

Cetus LED can be installed tool free, directly out of the box into a wide range of ceiling types and depths from 1–40mm thickness. The overall height of 88mm allows installation into low and restricted ceiling voids. Remote driver makes installation and maintenance quick and easy.

SPECIFICATION






To specify state:
Cetus LED downlight incorporating thermally optimised, deep drawn, aluminium body with IP44 as standard.
As Thorn Cetus LED



LAMPS

 LED 13-25W

STANDARDS

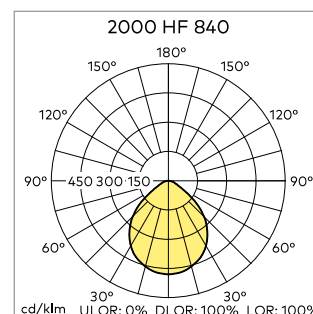
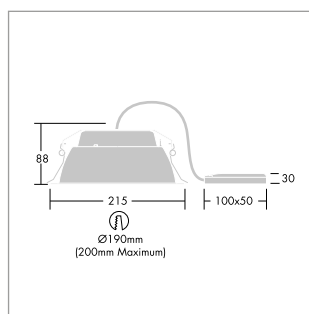
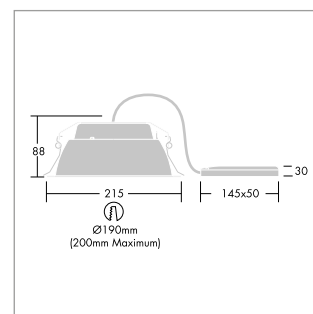
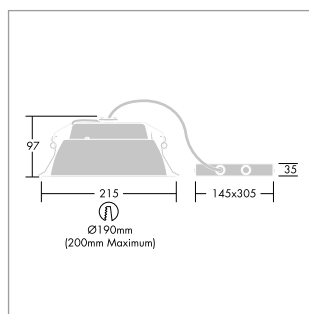
 IK09    

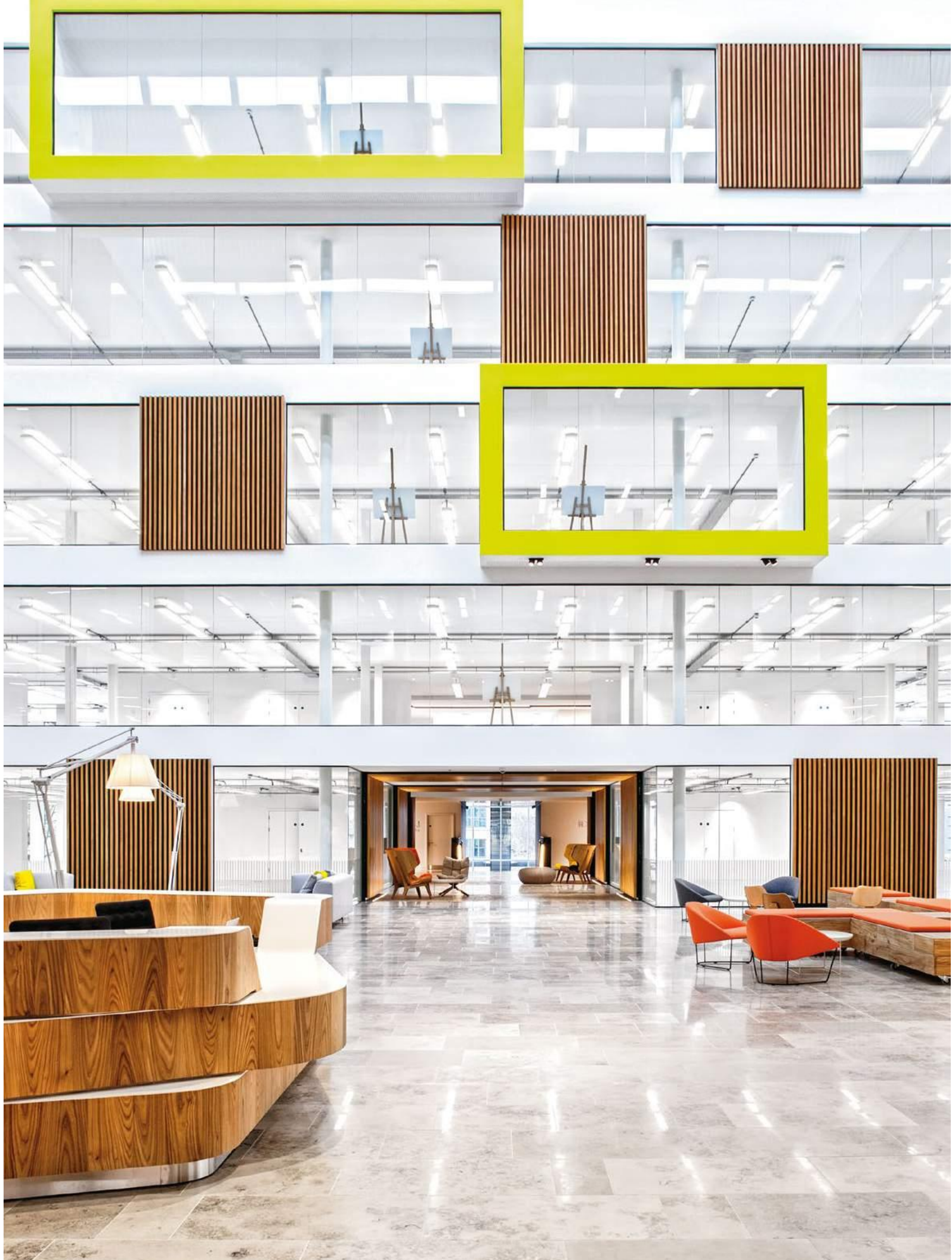
ORDERING GUIDE

Supplied complete with LED module

| Description | Wt (kg) | SAP Code | Cat. No. |
|----------------------------|---------|----------|------------|
| Cetus LED | | | |
| CETUS LED 1000 HF 830 | 0.70 | 96242095 | CU1000Z3K |
| CETUS LED 1000 HF 840 | 0.70 | 96242096 | CU1000Z4K |
| CETUS LED 2000 HF 830 | 0.70 | 96242097 | CU2000Z3K |
| CETUS LED 2000 HF 840 | 0.70 | 96242098 | CU2000Z4K |
| Cetus LED Emergency | | | |
| CETUS LED 1000 HF E3 830 | 1.75 | 96242209 | CU1000ZE3K |
| CETUS LED 1000 HF E3 840 | 1.75 | 96242099 | CU1000ZE4K |
| CETUS LED 2000 HF E3 830 | 1.75 | 96242210 | CU2000ZE3K |
| CETUS LED 2000 HF E3 840 | 1.75 | 96242100 | CU2000ZE4K |

To make reading our ordering guides easier please use the SAP description key fold out, inside the back cover. For more information please visit our website www.thornlighting.co.uk and simply search for our products.





Indoor Lighting

DIRECT/INDIRECT AND SURFACE LUMINAIRES



26
IQ Wave



28
Arena Symphony
LED



30
College



31
EquaLine Mini



32
Jupiter 3



34
Glacier II LED



37
Prisma

See also



66
Lyric Deco



www.thornlighting.co.uk/IQSU
www.thornlighting.ie/IQSU



Comfort without compromise
for office and education



- Simple and flowing lines create a modern but simplistic aesthetic perfect for an elegant office interior
- Innovative and Thorn patented MV tech optic offers excellent uniformity and glare control, direct/indirect light for illuminance on faces and walls to encourage a comfortable, communicative working environment
- Integrated sensors allow you to create flexible control systems suited to your needs. An easy wireless RF solution allows retro fit with no rewiring. Also available are integrated PIR and microwave sensors.
- Various installation options (surface, suspended or continuous run) IQ Wave can adapt to all room situations.

MATERIAL/FINISH

Frame and end caps: polycarbonate TP(a)
 Diffuser: polycarbonate TP(a), aluminium heat sink
 Body: metal sheet white similar to RAL 9016, silver similar to RAL 9006
 Gear tray: pre-coated white steel with polycarbonate TP(a) endcaps

INSTALLATION/MOUNTING

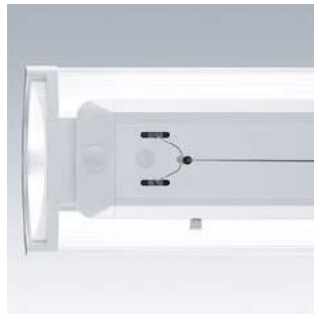
Suspended: Suitable for suspension with included Y suspension Kit and pre-assembled power cord.
 Surface: Suitable for direct surface or BESA mounting, central or end-cap cable entries
 Continuous run: Standard products can be connected via optional continuous run kit Through wiring versions are available

SPECIFICATION

To specify state: A lightweight surface or suspended luminaire with MV Tech Optic. LED indirect light source. Possibility to install as continuous run; BESA installation and through wiring. Indirect/Direct split of 23/77 or 43/57; 3000K/4000K colour temperature, CRI>80 and a lifetime of 50 000 hours @ L90 Ta 25°C including high efficiency at 123lm/W, UGR<19. With control systems, PIR, MWS, RF. As Thorn IQ Wave surface/suspended.

ORDERING GUIDE

| Description | Wt (kg) | SAP Code | Cat. No. |
|-------------------------------------|---------|----------|--------------|
| IQ Wave Surface | | | |
| IQ SURF S LED2600-830 HF | 4.0 | 96629266 | IQSSF2600Z3K |
| IQ SURF S LED2600-840 HF | 4.0 | 96629267 | IQSSF2600Z4K |
| IQ SURF S LED4250-830 HF | 4.0 | 96629268 | IQSSF4250Z3K |
| IQ SURF S LED4250-840 HF | 4.0 | 96629269 | IQSSF4250Z4K |
| IQ SURF L LED4250-830 HF | 4.9 | 96629270 | IQLSF4250Z3K |
| IQ SURF L LED4250-840 HF | 4.9 | 96629271 | IQLSF4250Z4K |
| IQ SURF L LED4900-830 HF | 4.9 | 96629272 | IQLSF4900Z3K |
| IQ SURF L LED4900-840 HF | 4.9 | 96629273 | IQLSF4900Z4K |
| IQ SURF L LED6700-830 HF | 4.9 | 96629274 | IQLSF6700Z3K |
| IQ SURF L LED6700-840 HF | 4.9 | 96629275 | IQLSF6700Z4K |
| IQ Wave Surface, dimmable | | | |
| IQ SURF S LED2600-830 HFIX | 4.0 | 96628940 | IQSSF2600X3K |
| IQ SURF S LED2600-840 HFIX | 4.0 | 96628941 | IQSSF2600X4K |
| IQ SURF S LED4250-830 HFIX | 4.0 | 96628942 | IQSSF4250X3K |
| IQ SURF S LED4250-840 HFIX | 4.0 | 96628943 | IQSSF4250X4K |
| IQ SURF L LED4250-830 HFIX | 4.9 | 96628944 | IQLSF4250X3K |
| IQ SURF L LED4250-840 HFIX | 4.9 | 96628945 | IQLSF4250X4K |
| IQ SURF L LED4900-830 HFIX | 4.9 | 96628946 | IQLSF4900X3K |
| IQ SURF L LED4900-840 HFIX | 4.9 | 96628947 | IQLSF4900X4K |
| IQ SURF L LED6700-830 HFIX | 4.9 | 96628948 | IQLSF6700X3K |
| IQ SURF L LED6700-840 HFIX | 4.9 | 96628949 | IQLSF6700X4K |
| IQ Wave Surface Accessories | | | |
| IQ SURF CONNECTION KIT STANDARD WH | 0.5 | 96629286 | IQSFCKIT |
| IQ SURF CONNECTION KIT SENSOR WH | 0.6 | 96629287 | IQSFCKITS |
| IQ SURF CONNECTION KIT EMERGENCY WH | 0.5 | 96630058 | IQSFCKITE |



LAMPS

LED

22-61W

STANDARDS

CE IP20 IP40 IK05

T_a 0
+25

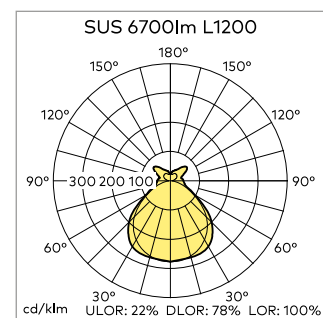
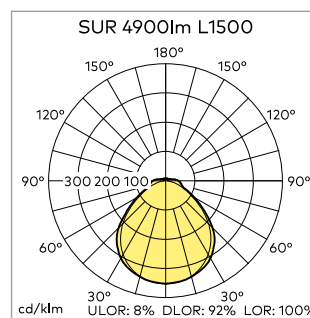
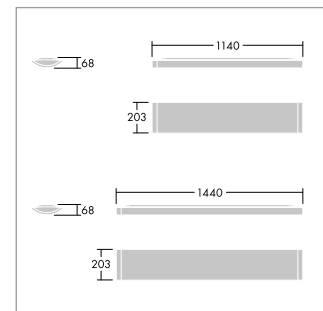
| Description | Wt (kg) | SAP Code | Cat. No. |
|--------------------------------------|---------|----------|-------------|
| IQ Wave Suspended | | | |
| IQ SUSP S LED2600-830 HF ML3 | 4.3 | 96629276 | IQSS2600Z3K |
| IQ SUSP S LED2600-840 HF ML3 | 4.3 | 96629277 | IQSS2600Z4K |
| IQ SUSP S LED4250-830 HF ML3 | 4.3 | 96629278 | IQSS4250Z3K |
| IQ SUSP S LED4250-840 HF ML3 | 4.3 | 96629279 | IQSS4250Z4K |
| IQ SUSP S LED4900-830 HF ML3 | 4.3 | 96629280 | IQSS4900Z3K |
| IQ SUSP S LED4900-840 HF ML3 | 4.3 | 96629281 | IQSS4900Z4K |
| IQ SUSP S LED6700-830 HF ML3 | 4.3 | 96629282 | IQSS6700Z3K |
| IQ SUSP S LED6700-840 HF ML3 | 4.3 | 96629283 | IQSS6700Z4K |
| IQ Wave Suspended, dimmable | | | |
| IQ SUSP S LED2600-830 HFIX ML5 | 4.3 | 96628950 | IQSS2600X3K |
| IQ SUSP S LED2600-840 HFIX ML5 | 4.3 | 96628951 | IQSS2600X4K |
| IQ SUSP S LED4250-830 HFIX ML5 | 4.3 | 96628952 | IQSS4250X3K |
| IQ SUSP S LED4250-840 HFIX ML5 | 4.3 | 96628953 | IQSS4250X4K |
| IQ SUSP S LED4900-830 HFIX ML5 | 4.3 | 96628954 | IQSS4900X3K |
| IQ SUSP S LED4900-840 HFIX ML5 | 4.3 | 96628955 | IQSS4900X4K |
| IQ SUSP S LED6700-830 HFIX ML5 | 4.3 | 96628956 | IQSS6700X3K |
| IQ SUSP S LED6700-840 HFIX ML5 | 4.3 | 96628957 | IQSS6700X4K |
| IQ Wave Suspended Accessories | | | |
| IQ SUSP CONNECTION KIT STANDARD WH | 0.6 | 96629284 | IQSCKIT |
| IQ SUSP CONNECTION KIT SENSOR WH | 0.7 | 96629285 | IQSCKITS |
| IQ SUSP CONNECTION KIT EMERGENCY WH | 0.6 | 96630057 | IQSCKITE |
| IQ Wave Infills | | | |
| IQ WAVE INFILL 385 WH | 1.4 | 96629772 | |
| IQ WAVE INFILL 565 WH | 2.0 | 96629773 | |
| IQ WAVE INFILL 954 WH | 3.2 | 96629774 | |
| IQ WAVE INFILL 1131 WH | 3.8 | 96629775 | |
| IQ WAVE INFILL 1431 WH | 4.7 | 96629776 | |

To make reading our ordering guides easier please use the SAP description key fold out, inside the back cover.

myProduct options:

Emergency, Corridor function, Microwave sensor, PIR sensor, Radio frequency communication, Through wiring. All additional variants can be created through myProduct.

For more information please visit our website www.thornlighting.co.uk and simply search for our products.



Arena Symphony LED



www.thornlighting.co.uk/ARNS
www.thornlighting.ie/ARNS

Innovative LED luminaire with sound absorbing features to minimise sound reverberation in classrooms



- Fully compliant with BB93 (measured for an empty classroom) for optimum classroom performance
- Achieves the acoustic and lighting standards with only 6 fittings in 56m² classrooms
- Wide range of control options, including simple ON/OFF, dimming and sensor
- Designed for flexibility offering a choice of infills to adapt the length of the system to match all classroom layouts

MATERIALS/FINISH

Raft: aluminium
Luminaire frame: aluminium, powder coated white as standard (RAL9010)
Acoustic material: rocksilk mineral wool fibre
Optic: acrylic

INSTALLATION/MOUNTING

Suitable for suspension mounting with 4 suspension wires (supplied). Suspension wires are adjustable in height due to the support on the luminaire with millimetre movements, in 2 directions. This product can be used in a system with added infill panels to fulfil the acoustic requirement. Through wiring and quick connector are also provided to aid a fast installation. Sensor version also available with Master and Slave control.

SPECIFICATION

To specify state:
Innovative acoustic LED luminaire to comply with the BB93 norms and EN12464 inside an empty classroom. Wide variety of infills and accessories to maximise the flexibility.

As Thorn Arena Symphony LED.

ORDERING GUIDE

Supplied with non-user replaceable LED light source

| Description | Wt (kg) | SAP Code | Cat. No. |
|---|---------|----------|------------|
| Arena Symphony LED | | | |
| ARENA LED5000-840 HF TW WL6 EDP | 22.30 | 96645147 | AS5000ZC |
| ARENA LED5000-840 HF TW WL6 EFL | 23.70 | 96645146 | AS4500ZF |
| ARENA LED6500-840 HF TW WL6 EDP | 22.30 | 96645149 | AS6500ZC |
| ARENA LED6500-840 HF TW WL6 EFL | 23.70 | 96645148 | AS6500ZF |
| Arena Symphony LED emergency | | | |
| ARENA LED5000-840 HF E3 TW WL6 EDP | 23.20 | 96645131 | AS5000ZEC |
| ARENA LED5000-840 HF E3 TW WL6 EFL | 24.60 | 96645130 | AS4500ZEF |
| ARENA LED5000-840 HF E3TX TW WL6 EDP | 23.20 | 96645119 | AS5000ZEXC |
| ARENA LED5000-840 HF E3TX TW WL6 EFL | 24.60 | 96645118 | AS4500ZEXF |
| ARENA LED6500-840 HF E3 TW WL6 EDP | 23.20 | 96645133 | AS6500ZEC |
| ARENA LED6500-840 HF E3 TW WL6 EFL | 24.60 | 96645132 | AS6500ZEF |
| ARENA LED6500-840 HF E3TX TW WL6 EDP | 23.20 | 96645121 | AS6500ZEXC |
| ARENA LED6500-840 HF E3TX TW WL6 EFL | 24.60 | 96645120 | AS6500ZEXF |
| Arena Symphony LED dimmable | | | |
| ARENA LED5000-840 HFIX TW WL6 EDP | 22.30 | 96645159 | AS5000XC |
| ARENA LED5000-840 HFIX TW WL6 EFL | 23.70 | 96645158 | AS4500XF |
| ARENA LED6500-840 HFIX TW WL6 EDP | 22.30 | 96645161 | AS6500XC |
| ARENA LED6500-840 HFIX TW WL6 EFL | 23.70 | 96645160 | AS6500XF |
| Arena Symphony LED dimmable, emergency | | | |
| ARENA LED5000-840 HFIX E3 TW WL6 EDP | 23.20 | 96645143 | AS5000XEC |
| ARENA LED5000-840 HFIX E3 TW WL6 EFL | 24.60 | 96645142 | AS4500XEF |
| ARENA LED5000-840 HFI-X E3TX TW WL6 EDP | 23.20 | 96645127 | AS5000YEXC |
| ARENA LED5000-840 HFI-X E3TX TW WL6 EFL | 24.60 | 96645126 | AS4500YEXF |
| ARENA LED6500-840 HFIX E3 TW WL6 EDP | 23.20 | 96645145 | AS6500XEC |
| ARENA LED6500-840 HFIX E3 TW WL6 EFL | 24.60 | 96645144 | AS6500XEF |
| ARENA LED6500-840 HFI-X E3TX TW WL6 EDP | 23.20 | 96645129 | AS6500YEXC |
| ARENA LED6500-840 HFI-X E3TX TW WL6 EFL | 24.60 | 96645128 | AS6500YEXF |

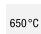



LAMPS

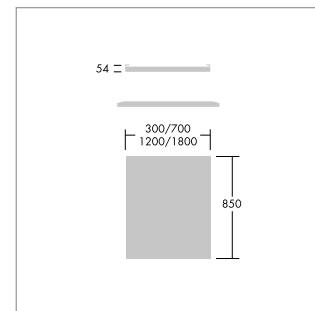
 LED

42-55.5W

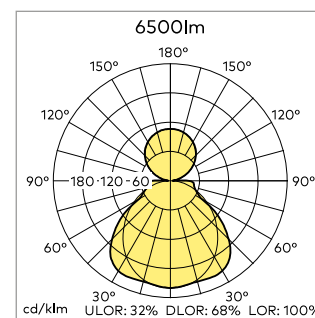
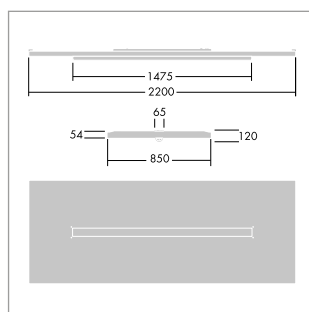
STANDARDS

 IP20  IK03  T_a 0 +25  650°C 

| Description | Wt (kg) | SAP Code | Cat. No. |
|---|---------|----------|-------------|
| Arena Symphony LED sensor | | | |
| ARENA LED5000-840 HFSX TW WL6 EDP | 22.30 | 96645155 | AS5000XSC |
| ARENA LED5000-840 HFSX TW WL6 EFL | 23.70 | 96645154 | AS4500XSF |
| ARENA LED6500-840 HFSX TW WL6 EDP | 22.30 | 96645157 | AS6500XSC |
| ARENA LED6500-840 HFSX TW WL6 EFL | 23.70 | 96645156 | AS6500XSF |
| Arena Symphony LED sensor, emergency | | | |
| ARENA LED5000-840 HFSX E3 TW WL6 EDP | 23.20 | 96645139 | AS5000XSEC |
| ARENA LED5000-840 HFSX E3 TW WL6 EFL | 24.60 | 96645138 | AS4500XSEF |
| ARENA LED5000-840 HFSX E3TX TW WL6 EDP | 23.20 | 96645123 | AS5000XSEXC |
| ARENA LED5000-840 HFSX E3TX TW WL6 EFL | 24.60 | 96645122 | AS4500XSEXF |
| ARENA LED6500-840 HFSX E3 TW WL6 EDP | 23.20 | 96645141 | AS6500XSEC |
| ARENA LED6500-840 HFSX E3 TW WL6 EFL | 24.60 | 96645140 | AS6500XSEF |
| ARENA LED6500-840 HFSX E3TX TW WL6 EDP | 23.20 | 96645125 | AS6500XSEXC |
| ARENA LED6500-840 HFSX E3TX TW WL6 EFL | 24.60 | 96645124 | AS6500XSEXF |
| Arena Symphony LED infill panels | | | |
| ARENA LED INFILL 1200MM | 10.50 | 96628182 | ASI1200 |
| ARENA LED INFILL 1800MM | 15.50 | 96628183 | ASI1800 |
| ARENA LED INFILL 300MM | 2.50 | 96628180 | ASI300 |
| ARENA LED INFILL 700MM | 6.00 | 96628181 | ASI700 |
| Arena Symphony LED control accessories | | | |
| SENSA SDP | 0.10 | 96241223 | SDP |
| Arena Symphony LED accessories | | | |
| ARENA SYMPHONY LED SUSPENSION KIT | 0.25 | 96628283 | ASSURKIT |
| ARENA SYMPHONY LED SUSPENSION/BAR KIT | 0.84 | 96628281 | ASSURBAR |
| ARENA SYMPHONY LED WALL KIT | 0.32 | 96628282 | ASWALLKIT |



To make reading our ordering guides easier please use the SAP description key fold out, inside the back cover. For more information please visit our website www.thornlighting.co.uk and simply search for our products.





www.thornlighting.co.uk/CLLG
www.thornlighting.ie/CLLG

A range of curved profile linear LED luminaires with clear prismatic diffusers for surface or suspended mounting



LAMPS

LED 17-64W

STANDARDS

IP44 IK05 850 °C

- Clear prismatic diffuser in tough polycarbonate for specific light control and impact resistance
- Rigidly fixed diffuser held in place by screwed on polycarbonate end caps for improved diffuser security and vandal/impact resistance
- Sealed to IP44
- Easy to remove and replace gearcover protects components

MATERIALS/FINISH

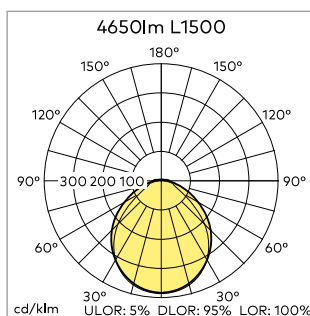
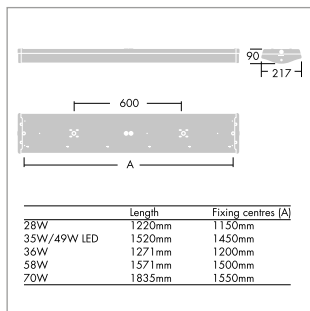
Body and gear tray: white galvanised prepainted steel.
End caps: polycarbonate
Diffuser: precision extruded clear prismatic polycarbonate.

INSTALLATION/MOUNTING

Two cable entry holes (Ø21.5mm) in the centre of the back spine. Optional cable entry through each end cap. Fitting supplied with sealing grommets and 'quick-fix' horseshoe sliding washers for direct screw fixing to surface. Standard BESA fixings. 5 x 2 x 2.5mm² piano key terminal block supplied for easy and quick looping. 5 x 2 x 2.5mm² + 3 x 2 x 2.5mm² piano key terminal block for dimmable emergency versions.

SPECIFICATION

To specify state:
Surface mounted IP44 LED luminaire with curved clear prismatic polycarbonate diffuser retained along its length by screwed on end caps employing protected high frequency/dimmable/emergency gear for LEDs for educational lighting.
As Thorn College.



ORDERING GUIDE

Supplied with non-user replaceable LED light source

| Description | Wt (kg) | SAP Code | Cat. No. |
|---|---------|----------|------------|
| College LED | | | |
| COLLEGE LED2100-840 HF L1200 | 3.63 | 96628926 | CO2100Z4K |
| COLLEGE LED2900-840 HF L1500 | 4.44 | 96628922 | CO2900Z4K |
| COLLEGE LED4200-840 HF L1200 | 3.63 | 96628932 | CO4200Z4K |
| COLLEGE LED4650-840 HF L1500 | 4.44 | 96628918 | CO4650Z4K |
| COLLEGE LED6500-840 HF L1500 | 4.44 | 96628877 | CO6500Z4K |
| College LED emergency | | | |
| COLLEGE LED2100-840 HF E3 L1200 | 4.09 | 96628927 | CO2100ZE4K |
| COLLEGE LED2900-840 HF E3 L1500 | 4.90 | 96628923 | CO2900ZE4K |
| COLLEGE LED4200-840 HF E3 L1200 | 4.09 | 96628933 | CO4200ZE4K |
| COLLEGE LED4650-840 HF E3 L1500 | 4.90 | 96628919 | CO4650ZE4K |
| COLLEGE LED6500-840 HF E3 L1500 | 4.90 | 96628879 | CO6500ZE4K |
| College LED with sensor | | | |
| COLLEGE LED2100-840 HF MWS L1200 | 3.70 | 96628930 | CO2100ZM4K |
| COLLEGE LED2900-840 HF MWS L1500 | 4.50 | 96628881 | CO2900ZM4K |
| COLLEGE LED4200-840 HF MWS L1200 | 3.70 | 96628936 | CO4200ZM4K |
| COLLEGE LED4650-840 HF MWS L1500 | 4.50 | 96628882 | CO4650ZM4K |
| COLLEGE LED6500-840 HF MWS L1500 | 4.50 | 96628883 | CO6500ZM4K |
| College LED dimmable | | | |
| COLLEGE LED2100-840 HFIX L1200 | 3.63 | 96628928 | CO2100X4K |
| COLLEGE LED2900-840 HFIX L1500 | 4.44 | 96628924 | CO2900X4K |
| COLLEGE LED4200-840 HFIX L1200 | 3.63 | 96628934 | CO4200X4K |
| COLLEGE LED4650-840 HFIX L1500 | 4.44 | 96628920 | CO4650X4K |
| COLLEGE LED6500-840 HFIX L1500 | 4.44 | 96628878 | CO6500X4K |
| College LED dimmable, emergency | | | |
| COLLEGE LED2100-840 HFIX E3 L1200 | 4.09 | 96628929 | CO2100XE4K |
| COLLEGE LED2900-840 HFIX E3 L1500 | 4.90 | 96628925 | CO2900XE4K |
| COLLEGE LED4200-840 HFIX E3 L1200 | 4.09 | 96628935 | CO4200XE4K |
| COLLEGE LED4650-840 HFIX E3 L1500 | 4.90 | 96628921 | CO4650XE4K |
| COLLEGE LED6500-840 HFIX E3 L1500 | 4.90 | 96628880 | CO6500XE4K |
| College LED dimmable with sensor | | | |
| COLLEGE LED2100-840 HFSX L1200 | 3.73 | 96628931 | CO2100XS4K |
| COLLEGE LED2900-840 HFSX L1500 | 4.57 | 96628884 | CO2900XS4K |
| COLLEGE LED4200-840 HFSX L1200 | 3.73 | 96628937 | CO4200XS4K |
| COLLEGE LED4650-840 HFSX L1500 | 4.57 | 96628885 | CO4650XS4K |
| COLLEGE LED6500-840 HFSX L1500 | 4.57 | 96628886 | CO6500XS4K |

To make reading our ordering guides easier please use the SAP description key fold out, inside the back cover. For more information please visit our website www.thornlighting.co.uk and simply search for our products.

Equaline

Mini



www.thornlighting.co.uk/EQUM
www.thornlighting.ie/EQUM



A slim LED batten with contemporary design that provides quality light to the architecture



LAMPS

LED

9.2-37.2W

STANDARDS

IP20 IK06 T₂₅ 650 °C

- Rectangular shape provides a functional profile without dominating the architecture
- Seamless and consistent lit-line all along the luminaire's entire length
- Anodized aluminium body brings high quality elegant look
- Very high efficacy thanks to the use of latest LED technology

MATERIALS/FINISH

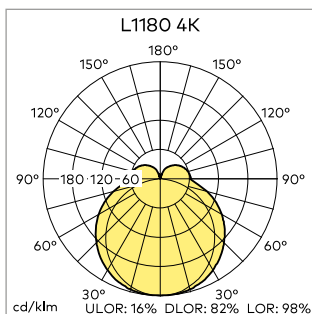
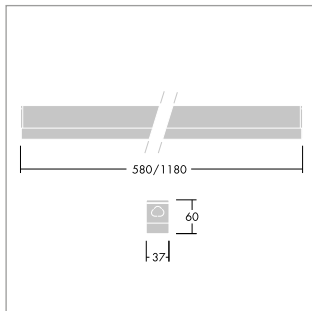
Body: extruded aluminium with anodized finish
Diffuser: opal PC plastic
End-cap: dual color injected PC plastic

INSTALLATION/MOUNTING

Suitable for surface or suspended (with optional suspension kit) mounting. Electrical connection either via connector in endcap (version END) or via flap in rear of body. Linear continuous run by connecting output socket in endcap (all versions) and connector in the next luminaire (END versions) with an optional electrical connector.

SPECIFICATION

To specify state:
A slender LED batten with aluminium body and opal PC diffuser, lengths of 580mm and 1180mm. High efficacy up to 117lm/W. Can be individual or continuous mounted. Provides lumen packages of 1050, 2100 and 4200lm. As Thorn Equaline Mini.



ORDERING GUIDE

Supplied with non-user replaceable LED light source

| Description | Wt (kg) | SAP Code | Cat. No. |
|-------------------------------------|---------|----------|-----------------|
| Equaline Mini | | | |
| EQUAMINI L580 LED950-830 | 0.53 | 22660806 | EQM6950Z3K |
| EQUAMINI L580 LED950-830 END | 0.53 | 22660814 | EQM6950Z3KEND |
| EQUAMINI L580 LED1050-840 | 0.53 | 22660811 | EQM61050Z4K |
| EQUAMINI L580 LED1050-840 END | 0.53 | 22660830 | EQM61050Z4KEND |
| EQUAMINI L1180 LED1900-830 | 1.04 | 22660808 | EQM121900Z3K |
| EQUAMINI L1180 LED1900-830 END | 1.04 | 22660816 | EQM121900Z3KEND |
| EQUAMINI L1180 LED2100-840 | 1.04 | 22660812 | EQM122100Z4K |
| EQUAMINI L1180 LED2100-840 END | 1.04 | 22660823 | EQM122100Z4KEND |
| Equaline Mini, DALI dimmable | | | |
| EQUAMINI L580 LED1900-830 HFX | 0.69 | 22661227 | EQM61900X3K |
| EQUAMINI L580 LED1900-830 HFX END | 0.69 | 22661240 | EQM61900X3KEND |
| EQUAMINI L580 LED2100-840 HFX | 0.69 | 22661229 | EQM62100X4K |
| EQUAMINI L580 LED2100-840 HFX END | 0.69 | 22661233 | EQM62100X4KEND |
| EQUAMINI L1180 LED3800-830 HFX | 1.08 | 22661228 | EQM123800X3K |
| EQUAMINI L1180 LED3800-830 HFX END | 1.08 | 22661232 | EQM123800X3KEND |
| EQUAMINI L1180 LED4200-840 HFX | 1.04 | 22661231 | EQM124200X4K |
| EQUAMINI L1180 LED4200-840 HFX END | 1.04 | 22661234 | EQM124200X4KEND |
| Equaline Mini, accessories | | | |
| EQUAMINI ELECTRICAL CONNECTOR | 0.01 | 22660825 | EQMCON |
| EQUAMINI I BRACKET (PK 10) | 0.01 | 22660831 | EQMI |
| EQUAMINI L BRACKET (PK 10) | 0.01 | 22660840 | EQML |
| EQUAMINI SIDE FEED IN CABLE 300MM | 0.01 | 22660826 | EQMFEED |
| EQUAMINI SUSPENSION KIT PAIR 1500 | 0.01 | 22661235 | EQMS1500 |
| EQUAMINI T BRACKET (PK 10) | 0.01 | 22660832 | EQMT |

To make reading our ordering guides easier please use the SAP description key fold out, inside the back cover. For more information please visit our website www.thornlighting.co.uk and simply search for our products.

Jupiter 3

The practical choice for slim and efficient direct/indirect lighting



www.thornlighting.co.uk/JUP3
www.thornlighting.ie/JUP3



Prismatic



- Slim, lightweight luminaire in a simple, practical and robust design
- Maximise energy savings with highly efficient LEDs (>85lm/W) and integrated control options
- Meet the recommendations of EN12464 by adapting lighting to the task environment with surface or suspended, direct or direct/indirect
- Quick and easy to install and maintain with self-balancing design, retained optic and the option for continuous row mounting

MATERIALS/FINISH

Body: sheet steel painted white (close to RAL 9010).

Endcap: moulded in white polycarbonate

MPT optic: microprismatic acrylic diffuser with white painted steel frame and anodised aluminium reflectors

INSTALLATION/MOUNTING

Surface (D): Luminaire fixes to ceiling via keyhole slots at 700mm centres. Can also be suspended for direct illumination via optional suspension kit 96242213. Electrical connection via 20.5mm holes at end or centre into piano key terminal blocks. Asymmetric version can also be wall mounted with bracket kit 96241825 (sold separately).

Suspended (DI): Luminaire is self-balancing and suspended via 2 adjustable 1.5m long quick lock single suspension wires (supplied). 1090mm fixing centres. Electrical connection via pre-fitted LSOH white mains cable. All versions are suitable for mounting end to end in continuous rows using corresponding connecting kit for mechanical connection and through wiring kit (sold separately).

SPECIFICATION

To specify state:

Slim LED surface direct or suspended self-balancing direct/indirect luminaire, microprismatic diffuser, mounted individually or in continuous lines, with dimmable and emergency versions.

As Thorn Jupiter 3.



Asymmetric

ORDERING GUIDE

Supplied with non-user replaceable LED light source

| Description | Wt (kg) | SAP Code | Cat. No. |
|--|---------|----------|-------------|
| Jupiter 3 Direct LED, dimmable | | | |
| JUP3 LED D 2750 HFIX MPT L830 | 4.40 | 96642593 | JUD2750DMP |
| JUP3 LED D 2850 HFIX MPT L840 | 4.40 | 96241846 | JUD2800DMP |
| JUP3 LED D 4050 HFIX MPT L830 | 4.40 | 96642594 | JUD4050DMP |
| JUP3 LED D 4200 HFIX MPT L840 | 4.40 | 96241847 | JUD4500DMP |
| Jupiter 3 Direct LED, dimmable, emergency | | | |
| JUP3 LED D 2850 HFIX E3 MPT L840 | 5.30 | 96241850 | JUD2800DEMP |
| JUP3 LED D 4200 HFIX E3 MPT L840 | 5.30 | 96241851 | JUD4500DEMP |
| Jupiter 3 Direct LED, asymmetric | | | |
| JUP3 LED A/S 4200 HFIX MPT L830 | 4.40 | 96627761 | JUDA4200D |
| JUP3 LED A/S 4200 HFIX MPT L840 | 4.40 | 96627760 | JUDA4200D |
| Jupiter 3 Accessories | | | |
| JUP3 / CONTO D TWKIT 1200MM | 0.50 | 96241827 | JUTWK1200 |
| JUP3 CONNECT KIT TWIN LAMP/LED | 0.25 | 96241824 | JUTCON |
| JUP3 D RAS BRA MWA | 0.75 | 96241825 | JUDRAS |
| JUP3 INFILL PANEL 1243MM TWIN | 4.60 | 96241967 | JUIF1200T |
| JUP3 INFILL PANEL 1543MM TWIN | 5.60 | 96551446 | JUIF1500T |
| JUP3 T16 MSW1 X 2 | 0.90 | 96241826 | JUMSW1 |
| JUP3/CONTO LED WIRE SUSPENSION KIT | 0.21 | 96242213 | JUWS |

To make reading our ordering guides easier please use the SAP description key fold out, inside the back cover. For more information please visit our website www.thornlighting.co.uk and simply search for our products.

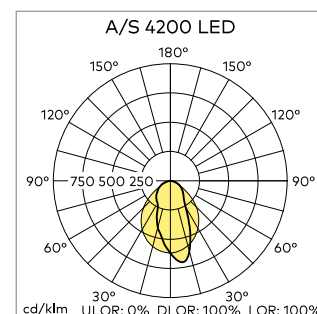
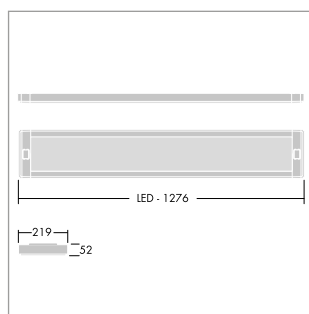
LAMPS

LED

34.8-51.8W

STANDARDS

CE IP20 T₂₅ 650°C 850°C



NEW

Glacier II

LED



www.thornlighting.co.uk/GLCL
www.thornlighting.ie/GLCL



Modern and efficient decorative LED pendant luminaire with high lumen packages



- High performance (91-124lm/W) decorative luminaire offers an efficient alternative to traditional HID pendants
- Available in two sizes and two colours
- A choice of 4 reflectors to fit a wide range of applications
- Ceiling rose in same design to complete the look

MATERIAL/FINISH

Housing: die-cast aluminium with satin grey or black finish
Reflector: polycarbonate prismatic, glass prismatic, opal glass, grey or black spun aluminium
Suspension wire: braided steel
Ceiling rose (to be ordered separately): die-cast aluminium with satin grey or black finish and white plastic.

INSTALLATION/MOUNTING

Suspension: adjustable quick-lock 2.5m single wire suspension (supplied). Similar length of pre-installed braided flame retardant silicon cable 5x0.75mm² (6x0.75mm² for E3). Ceiling rose option (ordered separately) 2x5x2.5mm² terminal block.

SPECIFICATION

To specify state:
Decorative LED pendant in two sizes with die cast aluminium housing on single wire suspension. With polycarbonate prismatic/glass prismatic/opal glass/grey/black spun aluminium reflector. Lumen output from 3000–6000 lumens, efficacy 91–124lm/W, CRI>80. As Thorn Glacier II LED.

ORDERING GUIDE

Supplied complete with LEDs.

| Description | Wt (kg) | SAP Code |
|--|---------|----------|
| Glacier II LED, aluminium reflector | | |
| GLAC2 L LED2 3000-830 HFIX EC BK AL BK | 4.8 | 96629784 |
| GLAC2 L LED2 3000-830 HFIX EC GY AL GY | 4.8 | 96629029 |
| GLAC2 L LED2 3500-840 HFIX EC BK AL BK | 4.8 | 96629788 |
| GLAC2 L LED2 3500-840 HFIX EC GY AL GY | 4.8 | 96629030 |
| GLAC2 L LED2 5500-830 HFIX EC BK AL BK | 4.8 | 96629792 |
| GLAC2 L LED2 5500-830 HFIX EC GY AL GY | 4.8 | 96629037 |
| GLAC2 L LED2 6000-840 HFIX EC BK AL BK | 4.8 | 96629796 |
| GLAC2 L LED2 6000-840 HFIX EC GY AL GY | 4.8 | 96629038 |
| GLAC2 S LED2 1000-830 HFIX EC BK AL BK | 1.8 | 96629701 |
| GLAC2 S LED2 1000-830 HFIX EC GY AL GY | 1.8 | 96629698 |
| GLAC2 S LED2 1000-840 HFIX EC BK AL BK | 1.8 | 96629707 |
| GLAC2 S LED2 1000-840 HFIX EC GY AL GY | 1.8 | 96629704 |
| Glacier II LED, prismatic glass reflector | | |
| GLAC2 L LED2 3000-830 HFIX EC BK GL PR | 6.8 | 96629786 |
| GLAC2 L LED2 3000-830 HFIX EC GY GL PR | 6.8 | 96629033 |
| GLAC2 L LED2 3500-840 HFIX EC BK GL PR | 6.8 | 96629790 |
| GLAC2 L LED2 3500-840 HFIX EC GY GL PR | 6.8 | 96629034 |
| GLAC2 L LED2 5500-830 HFIX EC BK GL PR | 6.8 | 96629794 |
| GLAC2 L LED2 5500-830 HFIX EC GY GL PR | 6.8 | 96629041 |
| GLAC2 L LED2 6000-840 HFIX EC BK GL PR | 6.8 | 96629798 |
| GLAC2 L LED2 6000-840 HFIX EC GY GL PR | 6.8 | 96629042 |
| GLAC2 S LED2 1000-830 HFIX EC BK GL PR | 3.6 | 96629699 |
| GLAC2 S LED2 1000-830 HFIX EC GY GL PR | 3.6 | 96629696 |
| GLAC2 S LED2 1000-840 HFIX EC BK GL PR | 3.6 | 96629705 |
| GLAC2 S LED2 1000-840 HFIX EC GY GL PR | 3.6 | 96629702 |
| Glacier II LED, opal glass reflector | | |
| GLAC2 L LED2 3000-830 HFIX EC BK GL OP | 6.5 | 96629785 |
| GLAC2 L LED2 3000-830 HFIX EC GY GL OP | 6.5 | 96629031 |
| GLAC2 L LED2 3500-840 HFIX EC BK GL OP | 6.5 | 96629789 |
| GLAC2 L LED2 3500-840 HFIX EC GY GL OP | 6.5 | 96629032 |
| GLAC2 L LED2 5500-830 HFIX EC BK GL OP | 6.5 | 96629793 |
| GLAC2 L LED2 5500-830 HFIX EC GY GL OP | 6.5 | 96629039 |
| GLAC2 L LED2 6000-840 HFIX EC BK GL OP | 6.5 | 96629797 |
| GLAC2 L LED2 6000-840 HFIX EC GY GL OP | 6.5 | 96629040 |
| GLAC2 S LED2 1000-830 HFIX EC BK GL OP | 2.5 | 96629700 |
| GLAC2 S LED2 1000-830 HFIX EC GY GL OP | 2.5 | 96629697 |
| GLAC2 S LED2 1000-840 HFIX EC BK GL OP | 2.5 | 96629706 |
| GLAC2 S LED2 1000-840 HFIX EC GY GL OP | 2.5 | 96629703 |



LAMPS

LED

91-119lm/W

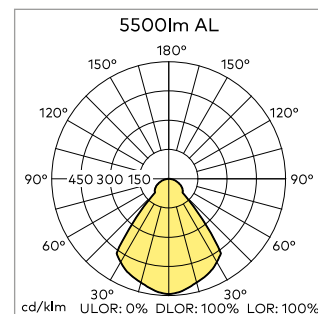
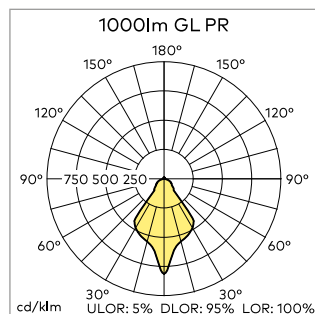
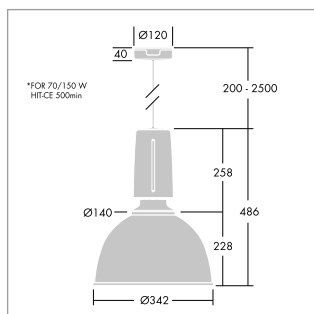
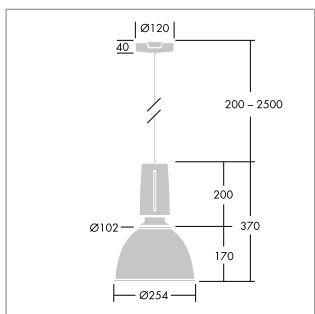
STANDARDS

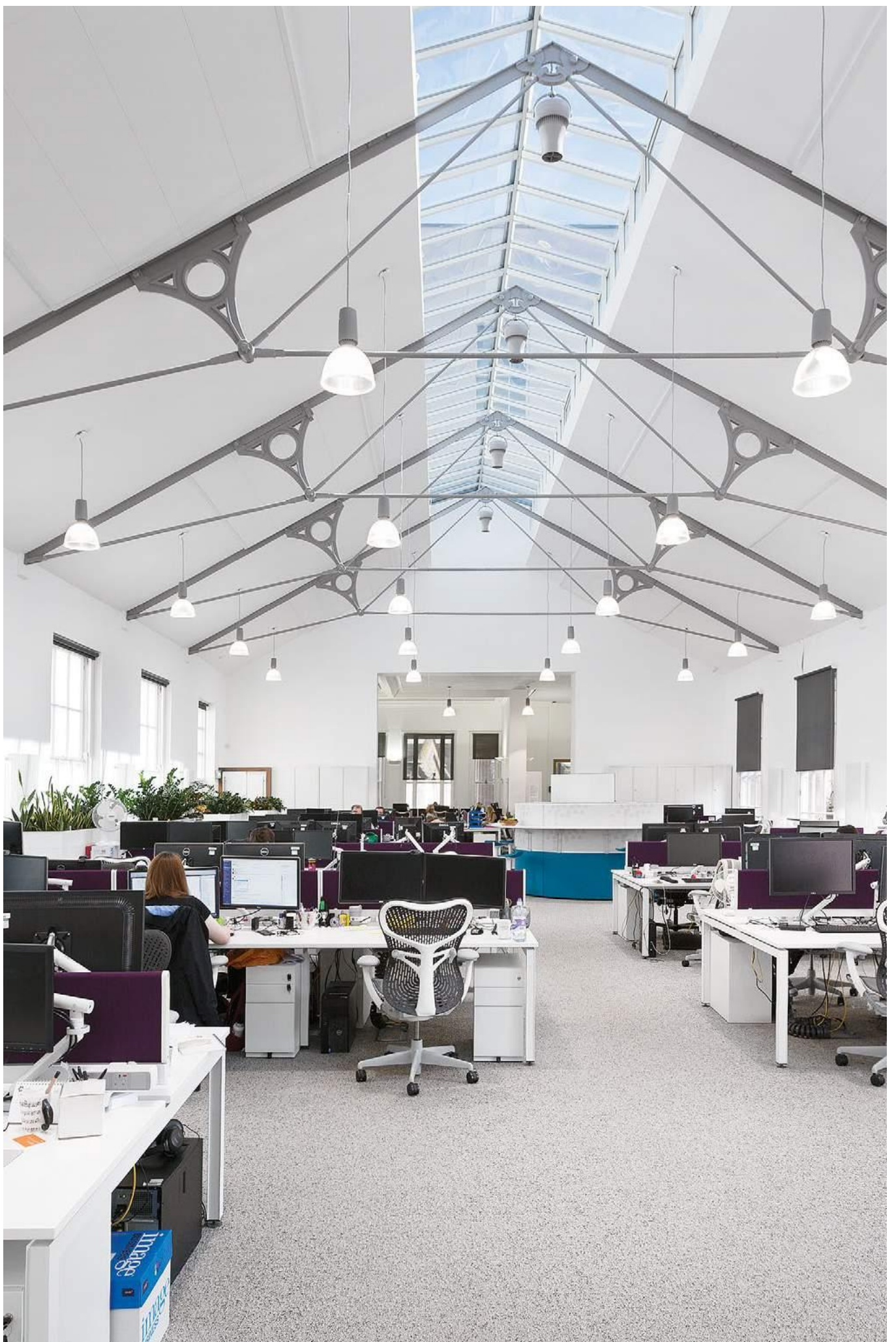
CE IP20 T_a25

| Description | Wt (kg) | SAP Code |
|---|---------|----------|
| Glacier II LED, prismatic polycarbonate reflector | | |
| GLAC2 L LED2 3000-830 HFIX EC BK PC PR | 5.0 | 96629787 |
| GLAC2 L LED2 3000-830 HFIX EC GY PC PR | 5.0 | 96629035 |
| GLAC2 L LED2 3500-840 HFIX EC BK PC PR | 5.0 | 96629791 |
| GLAC2 L LED2 3500-840 HFIX EC GY PC PR | 5.0 | 96629036 |
| GLAC2 L LED2 5500-830 HFIX EC BK PC PR | 5.0 | 96629795 |
| GLAC2 L LED2 5500-830 HFIX EC GY PC PR | 5.0 | 96629043 |
| GLAC2 L LED2 6000-840 HFIX EC BK PC PR | 5.0 | 96629799 |
| GLAC2 L LED2 6000-840 HFIX EC GY PC PR | 5.0 | 96629044 |
| Glacier II LED, emergency, aluminium reflector | | |
| GLAC2 L LED2 3000-830 HFIX E3 BK AL BK | 5.1 | 96629800 |
| GLAC2 L LED2 3000-830 HFIX E3 GY AL GY | 5.1 | 96629053 |
| GLAC2 L LED2 3500-840 HFIX E3 BK AL BK | 5.1 | 96629803 |
| GLAC2 L LED2 3500-840 HFIX E3 GY AL GY | 5.1 | 96629056 |
| GLAC2 L LED2 5500-830 HFIX E3 BK AL BK | 5.1 | 96629806 |
| GLAC2 L LED2 5500-830 HFIX E3 GY AL GY | 5.1 | 96629059 |
| GLAC2 L LED2 6000-840 HFIX E3 BK AL BK | 5.1 | 96629809 |
| GLAC2 L LED2 6000-840 HFIX E3 GY AL GY | 5.1 | 96629062 |
| Glacier II LED, emergency, prismatic glass reflector | | |
| GLAC2 L LED2 3000-830 HFIX E3 BK GL PR | 7.1 | 96629801 |
| GLAC2 L LED2 3000-830 HFIX E3 GY GL PR | 7.1 | 96629052 |
| GLAC2 L LED2 3500-840 HFIX E3 BK GL PR | 7.1 | 96629804 |
| GLAC2 L LED2 3500-840 HFIX E3 GY GL PR | 7.1 | 96629055 |
| GLAC2 L LED2 5500-830 HFIX E3 BK GL PR | 7.1 | 96629807 |
| GLAC2 L LED2 5500-830 HFIX E3 GY GL PR | 7.1 | 96629058 |
| GLAC2 L LED2 6000-840 HFIX E3 BK GL PR | 7.1 | 96629810 |
| GLAC2 L LED2 6000-840 HFIX E3 GY GL PR | 7.1 | 96629061 |

| Description | Wt (kg) | SAP Code |
|---|---------|----------|
| Glacier II LED, emergency, prismatic polycarbonate reflector | | |
| GLAC2 L LED2 3000-830 HFIX E3 BK PC PR | 5.3 | 96629802 |
| GLAC2 L LED2 3000-830 HFIX E3 GY PC PR | 5.3 | 96629051 |
| GLAC2 L LED2 3500-840 HFIX E3 BK PC PR | 5.3 | 96629805 |
| GLAC2 L LED2 3500-840 HFIX E3 GY PC PR | 5.3 | 96629054 |
| GLAC2 L LED2 5500-830 HFIX E3 BK PC PR | 5.3 | 96629808 |
| GLAC2 L LED2 5500-830 HFIX E3 GY PC PR | 5.3 | 96629057 |
| GLAC2 L LED2 6000-840 HFIX E3 BK PC PR | 5.3 | 96629811 |
| GLAC2 L LED2 6000-840 HFIX E3 GY PC PR | 5.3 | 96629060 |
| Glacier II LED Accessories | | |
| THORN CEILING ROSE BK | 0.5 | 96629782 |
| THORN CEILING ROSE GY | 0.5 | 96205307 |

To make reading our ordering guides easier please use the SAP description key fold out, inside the back cover. For more information please visit our website www.thornlighting.co.uk and simply search for our products.





Glacier LED, NBS, UK



www.thornlighting.co.uk/PRSM
www.thornlighting.ie/PRSM



Slim LED luminaire with opal diffuser for surface and suspended mounting

LAMPS

LED 18-39W

STANDARDS

IP44 650°C 850°C

- Slim LED luminaire with curved diffuser
- IP44 seal extends applications to canteens, cafeterias and kitchens
- Prism shape retained throughout the curved diffuser to optimise light output and reduce shadows from components
- Sensor (SLDMD) and through wiring options (TW) available

MATERIALS/FINISH

Body: Pre-painted white
0.7mm galvanised steel.
Endcaps: Shockproof ASA plastic, white.
Diffuser: opal acrylic (emergency versions in polycarbonate).

INSTALLATION/MOUNTING

Keyhole fixing positions $\varnothing 14\text{mm}$ for direct mounting to ceiling, wall or bracket mounting. Single lamp versions can only be surface mounted. Fixing centres: 2000lm-570mm and 4200lm-770mm. Two cable entries $\varnothing 19\text{mm}$ in the centre of the body and a knockout hole in the endcaps. Grommets included. Cable capacity 5 x 2.5mm².

SPECIFICATION

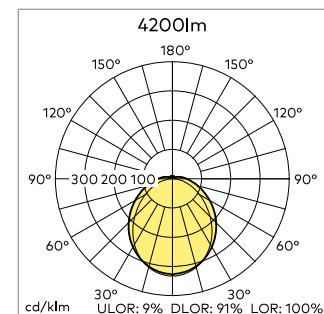
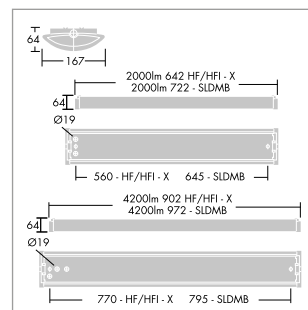
To specify state: Surface/suspended slim LED luminaire with curved opal acrylic diffuser. IP44.
As Thorn Prisma.

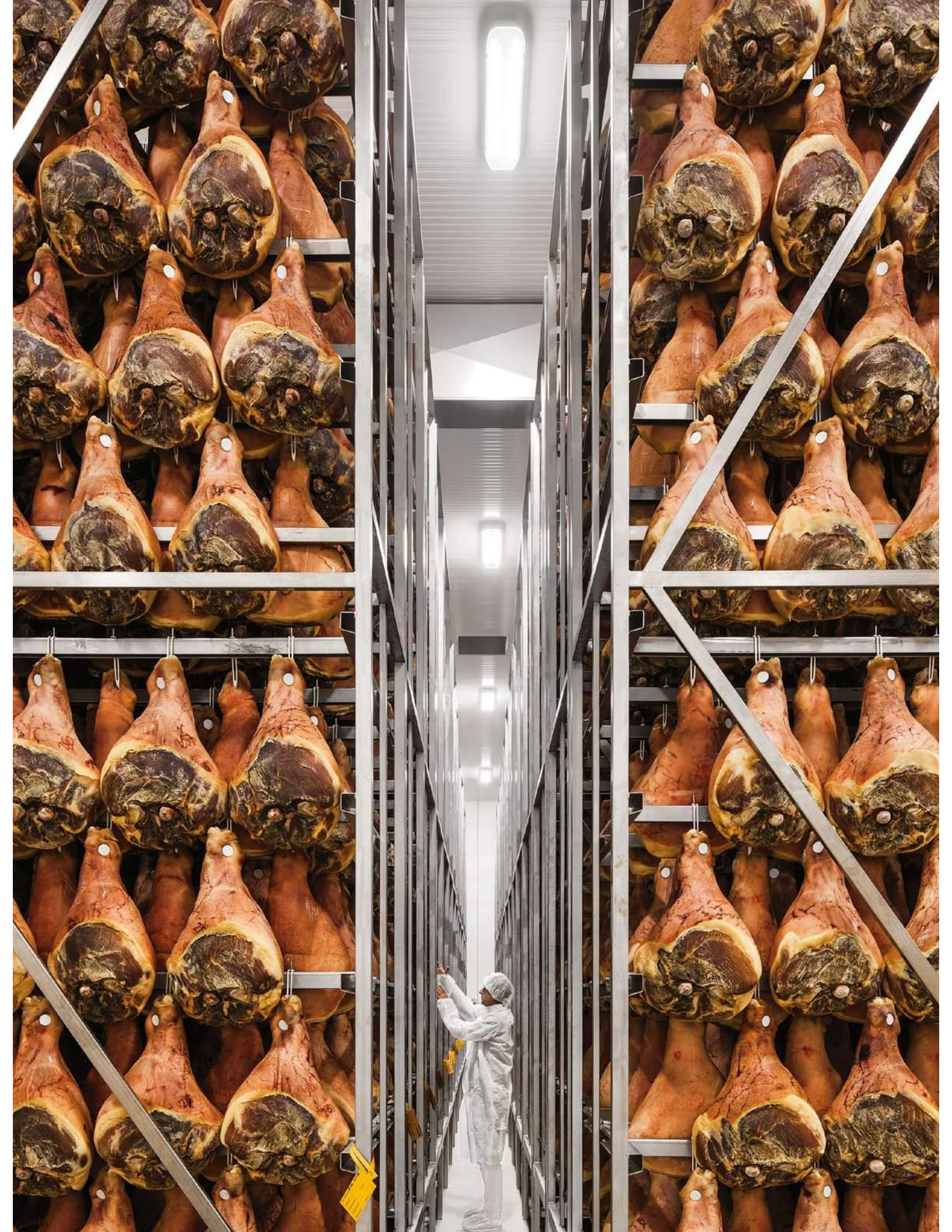
ORDERING GUIDE

Supplied complete with lamps

| Description | Wt (kg) | SAP Code | Cat. No. |
|--|---------|----------|--------------|
| Prisma LED | | | |
| PRISMA LED HFI-X 2000 FR L840 | 2.00 | 96220712 | PR2000Y4K |
| PRISMA LED HFI-X 2000 FR L840 TW | 2.10 | 96220965 | PR2000Y4KTW |
| PRISMA LED HF 2000 FR L840 | 2.00 | 96220711 | PR2000Z4K |
| PRISMA LED HF 2000 FR L840 TW | 2.10 | 96220964 | PR2000Z4KTW |
| PRISMA LED HF 2000 FR SLDMD BASIC L840 | 2.10 | 96220715 | PR2000ZS4K |
| PRISMA LED HF 2000 FR SLDMD BASIC L840TW | 2.20 | 96220968 | PR2000ZS4KTW |
| PRISMA LED HF 4200 FR L840 | 3.10 | 96220709 | PR4200Z4K |
| PRISMA LED HF 4200 FR L840 TW | 3.20 | 96220962 | PR4200Z4KTW |
| PRISMA LED HF 4200 FR SLDMD BASIC L840 | 3.20 | 96220713 | PR4200ZS4K |
| PRISMA LED HF 4200 FR SLDMD BASIC L840TW | 3.30 | 96220966 | PR4200ZS4KTW |
| PRISMA LED HFI-X 4200 FR L840 | 3.10 | 96220710 | PR4200Y4K |
| PRISMA LED HFI-X 4200 FR L840 TW | 3.20 | 96220963 | PR4200Y4KTW |
| Accessories | | | |
| WIRE SUSPENSION KIT 1,5M | 0.15 | 96204619 | WSPK1500 |

To make reading our ordering guides easier please use the SAP description key fold out, inside the back cover. For more information please visit our website www.thornlighting.co.uk and simply search for our products.





Indoor Lighting

TRUNKING AND BATTENS



40
Primata LED



42
Primata
Mounting
Accessories



44
Primata Pro



46
PopPack LED

Primata

LED



www.thornlighting.co.uk/PMML
www.thornlighting.ie/PMML



A modular system combining easy project planning and installation with excellent energy efficiency



- Modular trunking system providing easy project planning
- An all-in-one solution: track, batten, optic and LED are combined to produce continuous and seamless light lines
- Excellent energy efficiency of up to 140lm/W
- Tool-free connection for rapid installation

MATERIALS/FINISH

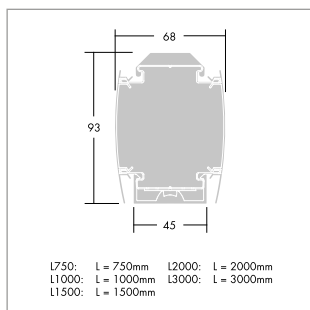
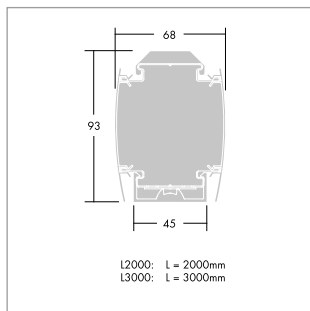
Mounting kits: stainless steel
 Luminaire and infills: roll-formed sheet steel in white polyester lacquered finish (RAL 9016)
 End caps: plastic

INSTALLATION/MOUNTING

A trunking system that enables you to create continuous lines of light for ceiling fixing or suspended mounting on wire or chains. Trunking luminaires come supplied with plug-in 7-pole through wiring and all modules can be joined when pushed together. Tool-free mechanical and electrical connection for rapid installation. Feed to be ordered separately. Optics, accessories and end caps clip onto the luminaire without tools.

SPECIFICATION

To specify state:
 A modular continuous lighting system with trunking, luminaire, optic and LED light source supplied as one, offering tool-free electrical and mechanical installation. Available in two lengths, two optics and lumen packages ranging from 4 600 to 19 000 lumens.
 As Thorn Primata LED



ORDERING GUIDE

| Description | Wt (kg) | SAP Code |
|---|---------|----------|
| Primata LED 4600 lm, 2m trunking with dimmable luminaire | | |
| PRIM L2 LED4600-840 WB HFIX E3 END SET | 5.30 | 96628359 |
| PRIM L2 LED4600-840 WB HFIX E3 SET | 6.20 | 96628358 |
| PRIM L2 LED4600-840 WB HF END SET | 4.70 | 96628357 |
| PRIM L2 LED4600-840 WB HF SET | 5.60 | 96628356 |
| Primata LED 6600 lm, 3m trunking with dimmable luminaire | | |
| PRIM L3 LED6600-840 WB HFIX E3 END SET | 7.80 | 96628361 |
| PRIM L3 LED6600-840 WB HFIX E3 SET | 8.90 | 96628360 |
| PRIM L3 LED6600-840 WB HF END SET | 7.20 | 96628355 |
| PRIM L3 LED6600-840 WB HF SET | 8.30 | 96628354 |
| Primata LED 7400 lm, 2m trunking with luminaire | | |
| PRIM L2 LED7400-840 WB HF E3 END SET | 5.30 | 96628648 |
| PRIM L2 LED7400-840 WB HF E3 SET | 6.20 | 96628647 |
| PRIM L2 LED7400-840 WB HF END SET | 4.70 | 96628406 |
| PRIM L2 LED7400-840 WB HF SET | 5.60 | 96628405 |
| PRIM L2 LED7400-840 NB HF E3 END SET | 5.30 | 96628628 |
| PRIM L2 LED7400-840 NB HF E3 SET | 6.20 | 96628627 |
| PRIM L2 LED7400-840 NB HF END SET | 4.70 | 96627358 |
| PRIM L2 LED7400-840 NB HF SET | 5.60 | 96627357 |
| PRIM L2 LED7400-840 WB HF E3 END SET | 5.30 | 96628624 |
| PRIM L2 LED7400-840 WB HF E3 SET | 6.20 | 96628622 |
| PRIM L2 LED7400-840 WB HF END SET | 4.70 | 96627356 |
| PRIM L2 LED7400-840 WB HF SET | 5.60 | 96627355 |
| PRIM L2 LED7400-840 A/A HF E3 END SET | 5.30 | 96628633 |
| PRIM L2 LED7400-840 A/A HF E3 SET | 6.20 | 96628630 |
| PRIM L2 LED7400-840 A/A HF END SET | 4.70 | 96627512 |
| PRIM L2 LED7400-840 A/A HF SET | 5.60 | 96627511 |
| Primata LED 7400 lm, 2m trunking with dimmable luminaire | | |
| PRIM L2 LED7400-840 NB HFIX E3 END SET | 5.30 | 96628594 |
| PRIM L2 LED7400-840 NB HFIX E3 SET | 6.20 | 96628593 |
| PRIM L2 LED7400-840 NB HF END SET | 4.70 | 96627370 |
| PRIM L2 LED7400-840 NB HF SET | 5.60 | 96627369 |
| PRIM L2 LED7400-840 WB HFIX E3 END SET | 5.30 | 96628592 |
| PRIM L2 LED7400-840 WB HFIX E3 SET | 6.20 | 96628591 |
| PRIM L2 LED7400-840 WB HF END SET | 4.70 | 96627368 |
| PRIM L2 LED7400-840 WB HF SET | 5.60 | 96627367 |
| PRIM L2 LED7400-840 A/A HFIX E3 END SET | 5.30 | 96628596 |
| PRIM L2 LED7400-840 A/A HFIX E3 SET | 6.20 | 96628595 |
| PRIM L2 LED7400-840 A/A HF END SET | 4.70 | 96627514 |
| PRIM L2 LED7400-840 A/A HF SET | 5.60 | 96627513 |

To make reading our ordering guides easier please use the SAP description key fold out, inside the back covers. For more information please visit our website www.thornlighting.co.uk and simply search for our products.



LAMPS

LED

33-145W

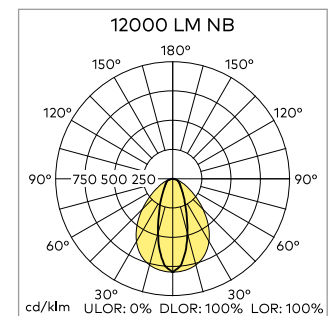
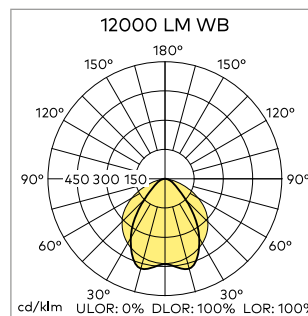
STANDARDS

EN 60598 T_a25 IP20



| Description | Wt (kg) | SAP Code |
|--|---------|----------|
| Primata LED 11000 lm, 3m trunking with luminaire | | |
| PRIM L3 LED6600-840 WB HF E3 END SET | 7.80 | 96628650 |
| PRIM L3 LED6600-840 WB HF E3 SET | 8.90 | 96628649 |
| PRIM L3 LED6600-840 WB HF END SET | 7.20 | 96628408 |
| PRIM L3 LED6600-840 WB HF SET | 8.30 | 96628407 |
| PRIM L3 LED11000-840 A/A HF E3 END SET | 7.80 | 96628642 |
| PRIM L3 LED11000-840 A/A HF E3 SET | 8.90 | 96628641 |
| PRIM L3 LED11000-840 A/A HF END SET | 7.20 | 96627516 |
| PRIM L3 LED11000-840 A/A HF SET | 8.30 | 96627515 |
| PRIM L3 LED11000-840 NB HF E3 END SET | 7.80 | 96628640 |
| PRIM L3 LED11000-840 NB HF E3 SET | 8.90 | 96628638 |
| PRIM L3 LED11000-840 NB HF END SET | 7.20 | 96627352 |
| PRIM L3 LED11000-840 NB HF SET | 8.30 | 96627351 |
| PRIM L3 LED11000-840 WB HF E3 END SET | 7.80 | 96628636 |
| PRIM L3 LED11000-840 WB HF E3 SET | 8.90 | 96628634 |
| PRIM L3 LED11000-840 WB HF END SET | 7.20 | 96627350 |
| PRIM L3 LED11000-840 WB HF SET | 8.30 | 96627349 |
| Primata LED 11000 lm, 3m trunking with dimmable luminaire | | |
| PRIM L3 LED11000-840 A/A HFIX E3 END SET | 7.80 | 96628602 |
| PRIM L3 LED11000-840 A/A HFIX E3 SET | 8.90 | 96628601 |
| PRIM L3 LED11000-840 A/A HFIX END SET | 7.20 | 96627518 |
| PRIM L3 LED11000-840 A/A HFIX SET | 8.30 | 96627517 |
| PRIM L3 LED11000-840 NB HFIX E3 END SET | 7.80 | 96628600 |
| PRIM L3 LED11000-840 NB HFIX E3 SET | 8.90 | 96628599 |
| PRIM L3 LED11000-840 NB HFIX END SET | 7.20 | 96627364 |
| PRIM L3 LED11000-840 NB HFIX SET | 8.30 | 96627363 |
| PRIM L3 LED11000-840 WB HFIX E3 END SET | 7.80 | 96628598 |
| PRIM L3 LED11000-840 WB HFIX E3 SET | 8.90 | 96628597 |
| PRIM L3 LED11000-840 WB HFIX END SET | 7.20 | 96627362 |
| PRIM L3 LED11000-840 WB HFIX SET | 8.30 | 96627361 |
| Primata LED 12000 lm, 2m trunking with dimmable luminaire, high performance | | |
| PRIM L2 LED12000-840 NB HFIX E3 END SET | 5.30 | 96628365 |
| PRIM L2 LED12000-840 NB HFIX E3 SET | 6.20 | 96628364 |
| PRIM L2 LED12000-840 NB HFIX END SET | 4.70 | 96627348 |
| PRIM L2 LED12000-840 NB HFIX SET | 5.60 | 96627347 |
| PRIM L2 LED12000-840 WB HFIX E3 END SET | 5.30 | 96628363 |
| PRIM L2 LED12000-840 WB HFIX E3 SET | 6.20 | 96628362 |
| PRIM L2 LED12000-840 WB HFIX END SET | 4.70 | 96627366 |
| PRIM L2 LED12000-840 WB HFIX SET | 5.60 | 96627365 |
| PRIM L2 LED12000-840 A/A HFIX E3 END SET | 5.30 | 96628367 |
| PRIM L2 LED12000-840 A/A HFIX E3 SET | 6.20 | 96628366 |
| PRIM L2 LED12000-840 A/A HFIX END SET | 4.70 | 96627354 |
| PRIM L2 LED12000-840 A/A HFIX SET | 5.60 | 96627353 |
| Primata LED 19000 lm, 3m trunking with dimmable luminaire, high performance | | |
| PRIM L3 LED19000-840 NB HFIX E3 END SET | 7.80 | 96628371 |
| PRIM L3 LED19000-840 NB HFIX E3 SET | 8.90 | 96628370 |
| PRIM L3 LED19000-840 NB HFIX END SET | 7.20 | 96627521 |
| PRIM L3 LED19000-840 NB HFIX SET | 8.30 | 96627520 |

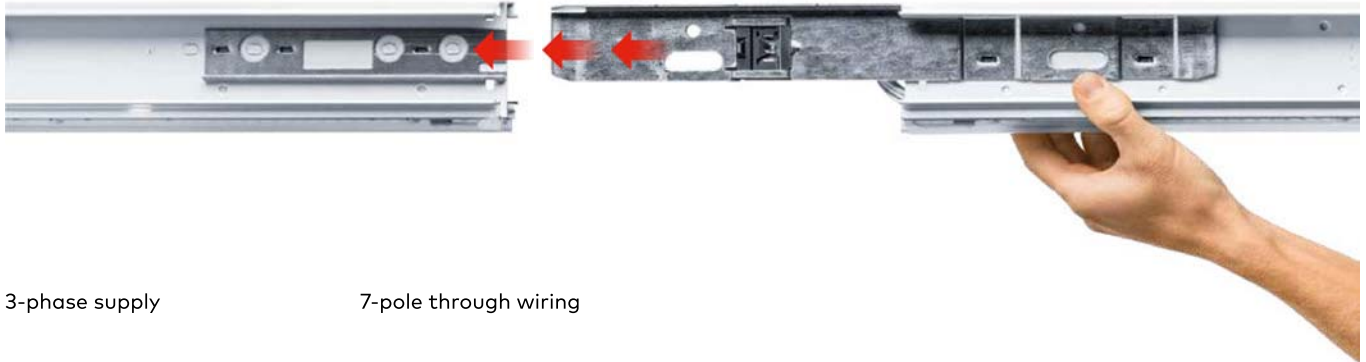
| Description | Wt (kg) | SAP Code |
|--|---------|----------|
| PRIM L3 LED19000-840 WB HFIX E3 END SET | 7.80 | 96628369 |
| PRIM L3 LED19000-840 WB HFIX E3 SET | 8.90 | 96628368 |
| PRIM L3 LED19000-840 WB HFIX END SET | 7.20 | 96627360 |
| PRIM L3 LED19000-840 WB HFIX SET | 8.30 | 96627359 |
| PRIM L3 LED19000-840 A/A HFIX E3 END SET | 7.80 | 96628373 |
| PRIM L3 LED19000-840 A/A HFIX E3 SET | 8.90 | 96628372 |
| PRIM L3 LED19000-840 A/A HFIX END SET | 7.20 | 96627523 |
| PRIM L3 LED19000-840 A/A HFIX SET | 8.30 | 96627522 |
| Primata LED blank modules | | |
| PRIM L1000 LED INFILL SET | 2.90 | 96627327 |
| PRIM L1500 LED INFILL SET | 4.00 | 96627328 |
| PRIM L2000 LED INFILL SET | 5.30 | 96627324 |
| PRIM L3000 LED INFILL SET | 7.70 | 96627325 |
| PRIM L750 LED INFILL SET | 2.40 | 96627326 |
| Primata LED accessories | | |
| PRIM L750 VOYAGER LED AREA E3 END SET | 2.00 | 96627660 |
| PRIM L750 VOYAGER LED AREA E3 SET | 2.00 | 96627659 |
| PRIM L750 VOYAGER LED ROUTE E3 END SET | 2.00 | 96627658 |
| PRIM L750 VOYAGER LED ROUTE E3 SET | 2.00 | 96627657 |
| PRIM CABLE DUCT 3000 SET | 0.30 | 96627298 |
| PRIM END CAP LED (PAIR) | 0.30 | 96627318 |
| PRIM FEED | 0.03 | 96627277 |
| PRIM L1000 COV LED | 0.10 | 96627317 |
| PRIM L1500 COV LED | 0.15 | 96627314 |
| PRIM L2000 COV LED | 0.20 | 96627315 |
| PRIM L750 COV LED | 0.10 | 96627316 |
| PRIM PST LED END SET | 1.60 | 96627332 |
| PRIM PST LED SET | 2.10 | 96627331 |
| PRIM PST REMOTE CONTROL | 0.30 | 96627698 |



Primata

Mounting Accessories

www.thornlighting.co.uk/PMBS
www.thornlighting.ie/PMBS



3-phase supply



7-pole through wiring



SIMPLE YET INTELLIGENT FEATURES TO SAVE YOU PRECIOUS TIME

With a continuous-row system consisting of just standard modules, end modules and end caps, Primata can be ordered simply and installed quickly. Both the mechanical and electrical connection is tool-less: the modules slot together and lock in place while the easy plug-in feed provides a hassle-free electrical connection, minimising installation time. For through wiring, the seven pre-wired poles are simply plugged together. Based on a 3-phase supply, up to 3 luminaire groups can be created. In this way, several areas can be defined, or just every second or third luminaire can be switched whenever lower lighting levels are required. After installation, the lateral covers are clipped on to create an unobtrusive, uniform surface.

ORDERING GUIDE

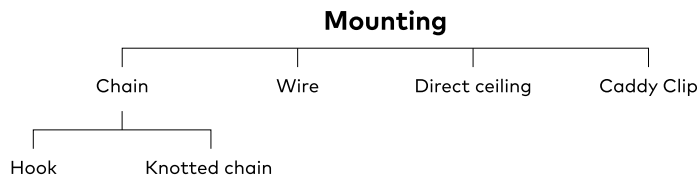
| Description | Wt (kg) | SAP Code |
|---|---------|----------|
| Primata LED mounting accessories | | |
| PRIM FIX | 0.02 | 96627406 |
| PRIM FIX/CAD | 0.02 | 96627407 |
| PRIM FIX/CH | 0.04 | 96627413 |
| PRIM MSW1 1M + CADDY CLIP | 0.30 | 96627411 |
| PRIM MSW1 2M + CADDY CLIP | 0.50 | 96627412 |
| PRIM MSW1 5M + CADDY CLIP | 0.09 | 96627408 |
| PRIMATA MSW1 1M | 0.02 | 96627752 |
| PRIMATA MSW1 2M | 0.04 | 96627753 |
| PRIMATA MSW1 5M | 0.08 | 96627754 |

To make reading our ordering guides easier please use the SAP description key fold out, inside the back cover. For more information please visit our website www.thornlighting.co.uk and simply search for our products.

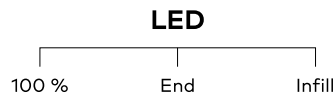
Step one » Feed



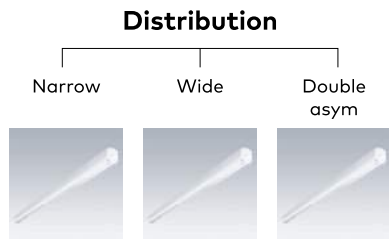
Step two » Mounting kits



Step three » Luminaire



Step four » Optics



Step five » End caps



Step six » Accessories



Primata

Pro



www.thornlighting.co.uk/PM2L
www.thornlighting.ie/PM2L



- Up to 44% more efficient than traditional fluorescent alternatives
- Efficient LEDs deliver up to 7500lm while achieving efficacies of up to 136lm/W to reduce energy consumption, carbon emissions and energy bills
- Simple refurbishment upgrade of existing T5 and T8 installations
- Thorn turnbuckles ensure electrical and mechanical connection in one step

MATERIALS/FINISH

Body: pre-painted white (RAL 9016), roll-formed sheet steel
 Diffuser: acrylic

INSTALLATION/MOUNTING

Luminaire prepared for easy installation into pre-wired trunking, luminaire attaches to trunking by two turnbuckles, providing instant electrical connection via fixed plug and socket system, phase selection at connector.

SPECIFICATION

To specify state:
 LED batten for use with 5, 7 or 9 pole Primata II trunking system.
 Lumen packages ranging from 3 000 to 7 500 lumens.
 As Thorn Primata Pro

LED continuous row luminaire for quick, tool-less installation

LAMPS

LED 23-62W

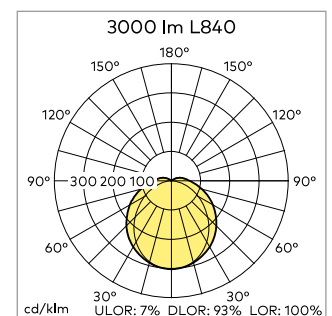
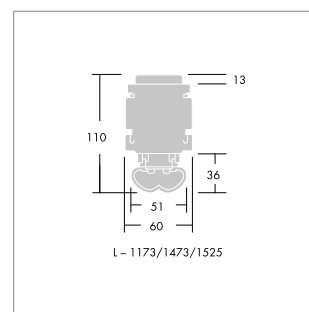
STANDARDS

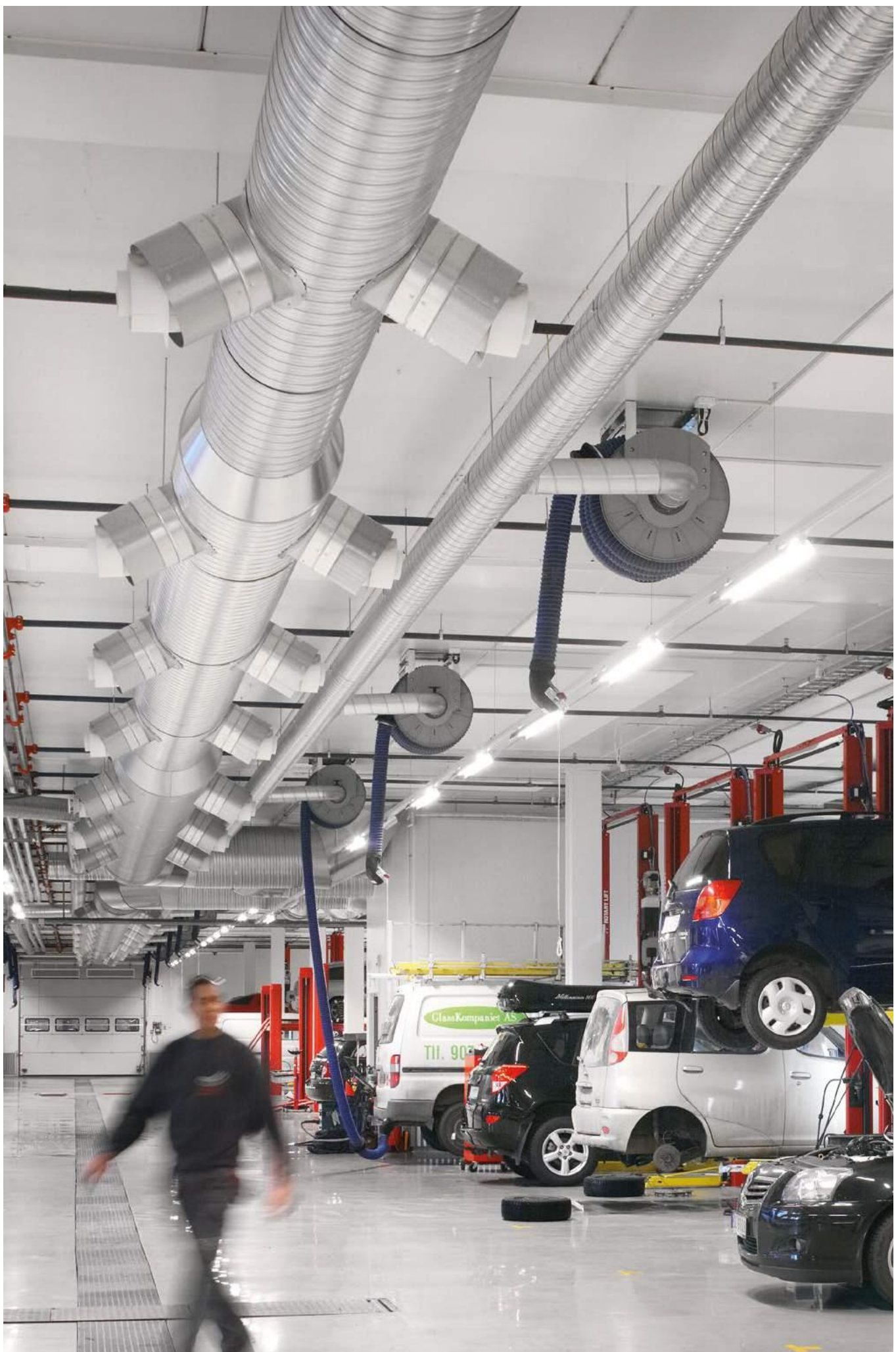
ORDERING GUIDE

Supplied complete with LEDs

| Description | Wt (kg) | SAP Code |
|------------------------------------|---------|----------|
| Primata Pro | | |
| PR PRO L1173 LED 3000-840 HF AC WH | 1.90 | 96627396 |
| PR PRO L1173 LED 4000-840 HF AC WH | 1.90 | 96627395 |
| PR PRO L1525 LED 5000-840 HF AC WH | 1.90 | 96627400 |
| PR PRO L1473 LED 5000-840 HF AC WH | 1.90 | 96627397 |
| PR PRO L1473 LED 6000-840 HF AC WH | 1.90 | 96627502 |
| PR PRO L1525 LED 6000-840 HF AC WH | 1.90 | 96627501 |
| PR PRO L1473 LED 7500-840 HF AC WH | 1.90 | 96627398 |
| PR PRO L1525 LED 7500-840 HF AC WH | 1.90 | 96627399 |

To make reading our ordering guides easier please use the SAP description key fold out, inside the back cover. For more information please visit our website www.thornlighting.co.uk and simply search for our products.





Toyota, Norway

TRUNKING AND BATTENS

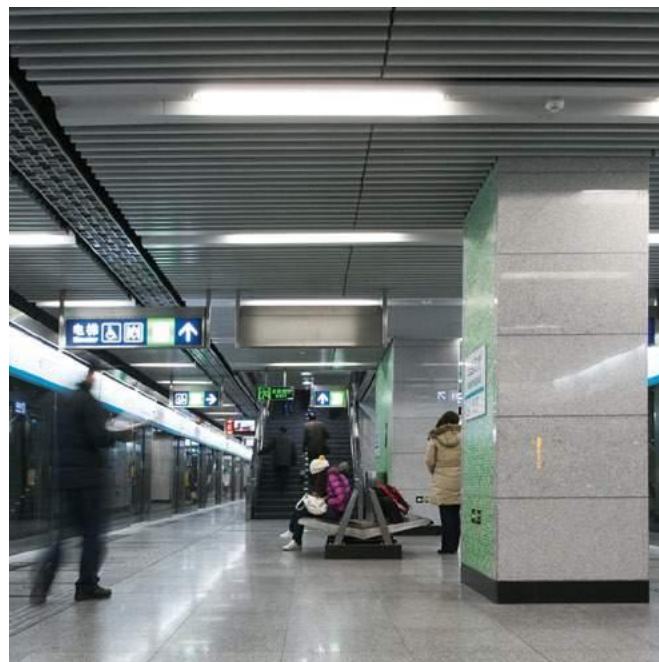
INDOOR LIGHTING



www.thornlighting.co.uk/POPL
www.thornlighting.ie/POPL



LED batten for single and twin T8/T5 fluorescent replacement



- LED one for one replacement for single and twin T8/T5 (35W up to 80W) fluorescent batten
- Only 28W, 41W and 60W total load, up to 67% energy reduction vs traditional switch start
- Further savings can be achieved via the DALI dimmable version in combination with remote presence/daylight sensors
- Up to 110lm/W - exceeding building regulation requirements

MATERIALS/FINISH

Batten: pre-coated roll form steel, white (RAL9016)
End caps/lamp holders: injection moulded polycarbonate, white
Diffuser: textured opal acrylic

INSTALLATION/MOUNTING

4/6 way terminal block with capacity for loop in/out 2.5mm² cables. Detachable LED engine for easy installation and replacement.
Ambient temperature: -20 to +25°C for the standard product, 0 to +25°C for the emergency versions, normal, dry and indoor atmospheres. Fixation to central BESA fixing or entrance through spine. Through wiring possible through knock out holes in the spine and end caps. Easy alignment through slots in the spine. Bare battens can be mounted end to end (except emergency versions - recommended minimum space between luminaires 50mm).

SPECIFICATION

To specify state:
LED batten with a removable LED engine. Switchable or DALI driver, integral emergency and sensor versions available.

As Thorn PopPack LED

ORDERING GUIDE

| Description | Wt (kg) | SAP Code | Cat. No. |
|---|---------|----------|-------------|
| PopPack LED battens | | | |
| POPPACK LED3000-830 HF L1200 | 1.40 | 96628443 | PP3000Z4F3K |
| POPPACK LED3000-840 HF L1200 | 1.40 | 96242241 | PP3000Z4F |
| POPPACK LED4000-840 HF L1500 | 1.70 | 96643378 | PP4000Z5F |
| POPPACK LED4000-830 HF L1500 | 1.70 | 96628446 | PP4000Z5F3K |
| POPPACK LED4500-840 HF L1200 | 1.40 | 96242245 | PP4500Z4F |
| POPPACK LED4500-830 HF L1200 | 1.40 | 96628444 | PP4500Z4F3K |
| POPPACK LED6000-840 HF L1500 | 1.70 | 96643382 | PP6000Z5F |
| POPPACK LED6000-830 HF L1500 | 1.70 | 96628447 | PP6000Z5F3K |
| POPPACK LED6500-830 HF L1800 | 1.80 | 96628448 | PP6500Z6F3K |
| POPPACK +LED7000-840 HF L1200 | 1.90 | 96628127 | PP7000Z4F |
| POPPACK LED6500-840 HF L1800 | 1.80 | 96242249 | PP6500Z6F |
| POPPACK LED7000-830 HF L1200 | 1.90 | 96628445 | PP7000Z4F3K |
| PopPack LED battens, dimmable | | | |
| POPPACK LED3000-840 HFI L1200 | 1.40 | 96242243 | PP3000D4F |
| POPPACK LED4000-840 HFI L1500 | 1.70 | 96643380 | PP4000D5F |
| POPPACK LED4500-840 HFI L1200 | 1.40 | 96242247 | PP4500D4F |
| POPPACK LED6000-840 HFI L1500 | 1.70 | 96643384 | PP6000D5F |
| POPPACK +LED7000-840 HFI L1200 | 1.40 | 96643386 | PP7000D4F |
| POPPACK LED6500-840 HFI L1800 | 2.00 | 96242251 | PP6500D6F |
| POPPACK +LED9000-840 HFI L1500 | 1.70 | 96643388 | PP9000D5F |
| PopPack LED battens, emergency | | | |
| POPPACK LED3000-840 HF E3 L1200 | 2.00 | 96242242 | PP3000ZE4F |
| POPPACK LED4000-840 HF E3 L1500 | 2.30 | 96643379 | PP4000ZE5F |
| POPPACK LED4500-840 HF E3 L1200 | 2.00 | 96242246 | PP4500ZE4F |
| POPPACK LED6000-840 HF E3 L1500 | 2.30 | 96643383 | PP6000ZE5F |
| POPPACK +LED7000-840 HF E3 L1200 | 2.00 | 96628128 | PP7000ZE4F |
| POPPACK LED6500-840 HF E3 L1800 | 2.60 | 96242250 | PP6500ZE6F |
| PopPack LED battens, dimmable, emergency | | | |
| POPPACK LED3000-840 HFI E3 L1200 | 2.00 | 96242244 | PP3000DE4F |
| POPPACK LED4000-840 HFI E3 L1500 | 2.30 | 96643381 | PP4000DE5F |
| POPPACK LED4500-840 HFI E3 L1200 | 2.00 | 96242248 | PP4500DE4F |
| POPPACK LED6000-840 HFI E3 L1500 | 2.30 | 96643385 | PP6000DE5F |
| POPPACK +LED7000-840 HFI E3 L1200 | 2.00 | 96643387 | PP7000DE4F |
| POPPACK LED6500-840 HFI E3 L1800 | 2.60 | 96242252 | PP6500DE6F |



LAMPS

 LED

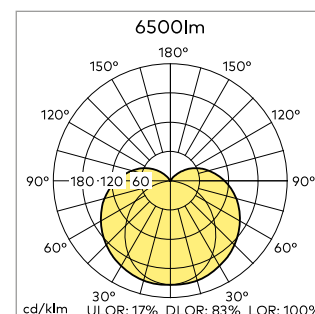
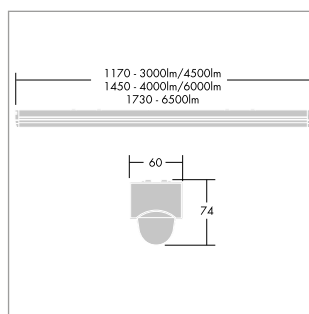
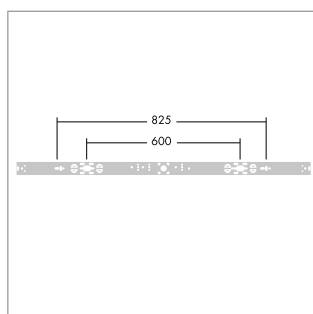
26-75.2W

STANDARDS

 IP20  T_{a-20}^{+25} 650°C 

| Description | Wt (kg) | SAP Code | Cat. No. |
|---|---------|----------|------------|
| PopPack LED battens, with sensor | | | |
| POPPACK LED3000-840 HF PIR L1200 | 1.50 | 96627653 | PP3000ZS4F |
| POPPACK LED4000-840 HF PIR L1500 | 1.80 | 96643390 | PP4000ZS5F |
| POPPACK LED4500-840 HF PIR L1200 | 1.50 | 96627654 | PP4500ZS4F |
| POPPACK LED6000-840 HF PIR L1500 | 1.80 | 96643391 | PP6000ZS5F |
| POPPACK +LED7000-840 HF PIR L1200 | 1.50 | 96628129 | PP7000ZS4F |
| POPPACK LED6500-840 HF PIR L1800 | 2.10 | 96627655 | PP6500ZS6F |
| POPPACK +LED9000-840 HF PIR L1500 | 1.80 | 96628130 | PP9000ZS5F |
| PopPack LED accessories | | | |
| POPPACK LED SPARE LED ENGINE 1,2M/4FT | 0.76 | 96627755 | PPENG4F |
| POPPACK LED SPARE LED ENGINE 1,5M/5FT | 0.78 | 96628148 | PPENG5F |
| POPPACK LED SPARE LED ENGINE 1,8M/6FT | 1.05 | 96627756 | PPENG6F |
| POPPACK LED WIRE GUARD 1,2M | 0.69 | 96627902 | PPWG4F |
| POPPACK LED WIRE GUARD 1,5M | 0.74 | 96628147 | PPWG5F |
| POPPACK LED WIRE GUARD 1,8M | 1.04 | 96627903 | PPWG6F |
| POPPACK LED WIRE SUSPENSION KIT 2M | 0.25 | 96627711 | PPSUS2M |
| SWITCHLITE CC PROGRAMMER | 0.02 | 96240295 | SWCCPROG |

To make reading our ordering guides easier please use the SAP description key fold out, inside the back cover. For more information please visit our website www.thornlighting.co.uk and simply search for our products.





Indoor Lighting

RECESSED MODULAR LUMINAIRES



50
IQ Wave



52
Beta Office



53
Omega Circular



54
Omega Pro



56
Omega LED

NEW

IQ Wave

Recessed



www.thornlighting.co.uk/IQWV
www.thornlighting.ie/IQWV



Our next generation office luminaire features intelligent innovation in 4 key areas, design, optic, control and installation



LAMPS

 LED 30-40.5W

STANDARDS

CE IP20 IK03 T_a 0 +25 650°C 

- Design: An award winning luminaire with simple and flowing lines that helps to create a modern but simplistic aesthetic perfect for an elegant office interior
- Optics: innovative MV tech optic designed by our expert optical team offers excellent uniformity and glare control, direct/indirect light for illuminance on faces and walls to encourage a comfortable, communicative working environment
- Controls: integrated sensors allow you to create flexible controls systems suited to your needs. We have introduced a wireless RF solution for easy retro fit with no rewiring. Also available are integrated PIR and microwave sensors
- Installation: with our new red flag design you can easily access the pull up set from below the ceiling without the need to remove the optics from the product, allowing for a more secure fixing to the ceiling

MATERIALS/FINISH

Frame and end caps: polycarbonate (TPA)
Diffuser: polycarbonate, aluminium designed heatsink
Body: highly reflective steel coffer
Gear tray: pre-coated white steel

INSTALLATION/MOUNTING

Suitable for lay in, with accessory suitable for pull up into concealed grid and plasterboard ceilings.

SPECIFICATION

To specify state:
A lightweight recessed luminaire for exposed T, plasterboard and concealed grid systems with MV tech optic. LED indirect light source. 3000K/4000K/6500K colour temperature, CRI >80 and a lifetime of 50 000 hours @ L90 T_a 25°C including high efficiency at 103 lm/W, UGR<19. With control systems, PIR, MWS, RF. As Thorn IQ Wave.

ORDERING GUIDE

Variants available via MyProduct

| Description | Wt (kg) | SAP Code | Cat. No. |
|---|---------|----------|---------------|
| IQ Wave | | | |
| IQ WAVE LED3100-830 R2M Q597 MRE | 3.80 | 96628132 | IQWR3100R3K |
| IQ WAVE LED3100-840 R2M Q597 MRE | 3.80 | 96628133 | IQWR3100R4K |
| IQ WAVE LED3100-865 R2M Q597 MRE | 3.80 | 96628134 | IQWR3100R6K |
| IQ WAVE LED4100-830 R2M Q597 MRE | 3.80 | 96628135 | IQWR4100R3K |
| IQ WAVE LED4100-840 R2M Q597 MRE | 3.80 | 96628136 | IQWR4100R4K |
| IQ WAVE LED4100-865 R2M Q597 MRE | 3.80 | 96628137 | IQWR4100R6K |
| IQ Wave configured articles | | | |
| IQ WAVE LED3100-830 HFIX Q597 MRE ML5 | 3.80 | 96628294 | |
| IQ WAVE LED3100-830 R2M MWS RF Q597 MRE | 3.80 | 92900299 | |
| IQ WAVE LED3100-840 R2M MWS Q597 MRE | 3.80 | 92900292 | |
| IQ WAVE LED4100-830 HFIX Q597 MRE ML5 | 3.80 | 96628295 | |
| IQ WAVE LED4100-830 R2M MWS RF Q597 MRE | 3.80 | 92900313 | |
| IQ WAVE LED4100-840 MWS Q597 MRE | 3.80 | 92900249 | |
| IQ WAVE LED4100-840 MWS RF Q597 MRE | 3.80 | 92900248 | |
| IQ Wave configured articles, emergency | | | |
| IQ WAVE LED3100-830 R2M E3 Q597 MRE | 4.40 | 92900337 | |
| IQ WAVE LED3100-840 R2M E3 Q597 MRE | 4.40 | 96628316 | IQWR3100RE4K |
| IQ WAVE LED4100-830 R2M E3 Q597 MRE | 4.40 | 92900338 | |
| IQ WAVE LED4100-840 R2M E3 Q597 MRE | 4.40 | 96628317 | IQWR4100XE4K |
| IQ Wave dimmable, emergency | | | |
| IQ WAVE LED3100-830 HFIX E3 Q597 MRE | 4.40 | 92900336 | |
| IQ WAVE LED3100-830 HFIX E3TX Q597 MRE | 4.40 | 92900305 | |
| IQ WAVE LED3100-840 HFIX E3 Q597 MRE | 4.40 | 92900290 | |
| IQ WAVE LED3100-840 HFIX E3TX Q597 MRE | 4.40 | 92900246 | |
| IQ WAVE LED3100-865 HFIX E3 Q597 MRE | 4.40 | 92900308 | |
| IQ WAVE LED4100-830 HFIX E3 Q597 MRE | 4.40 | 92900340 | |
| IQ WAVE LED4100-830 HFIX E3TX Q597 MRE | 4.40 | 92900341 | |
| IQ WAVE LED4100-840 HFIX E3 Q597 MRE | 4.40 | 92900266 | |
| IQ WAVE LED4100-840 HFIX E3TX Q597 MRE | 4.40 | 92900294 | |
| IQ Wave accessory | | | |
| IQ WAVE RED FLAG PULL UP KIT | 0.05 | 96628290 | IQWRPULLUPKIT |
| REMOTECONTROL IR6 | 0.02 | 28000647 | |

To make reading our ordering guides easier please use the SAP description key fold out, inside the back cover. For more information please visit our website www.thornlighting.co.uk and simply search for our products.

Performance Guide - 3100 lumens

Open plan office

| Ceiling Height | Luminaire Spacings | Lux Level Average | Uniformity | UGR | Cylindrical Illuminance | Modelling Index |
|----------------|--------------------|-------------------|------------|-----|-------------------------|-----------------|
| Metres | Metres | E_m | U_o | UGR | E_{cyl} | E_{cyl}/E_m |
| 2.4 | 3.0 x 3.0 | 327 lux | 0.65 | 18 | 142 lux | 0.43 |
| | 3.0 x 2.4 | 403 lux | 0.76 | 18 | 168 lux | 0.42 |
| | 2.4 x 2.4 | 493 lux | 0.87 | 18 | 200 lux | 0.41 |
| 2.7 | 3.0 x 3.0 | 319 lux | 0.84 | 18 | 135 lux | 0.42 |
| | 3.0 x 2.4 | 388 lux | 0.81 | 18 | 164 lux | 0.42 |
| | 2.4 x 2.4 | 473 lux | 0.88 | 18 | 196 lux | 0.41 |
| 3.0 | 3.0 x 3.0 | 310 lux | 0.89 | 18 | 129 lux | 0.42 |
| | 3.0 x 2.4 | 376 lux | 0.83 | 18 | 155 lux | 0.41 |
| | 2.4 x 2.4 | 459 lux | 0.88 | 18 | 187 lux | 0.41 |

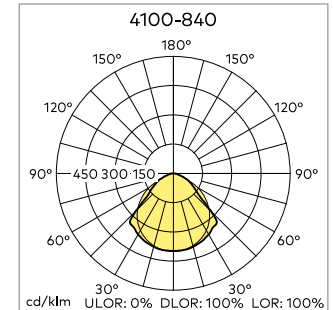
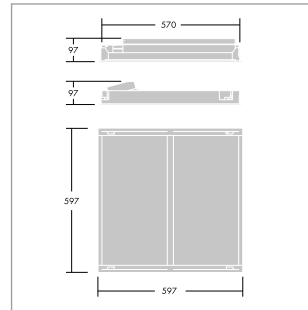
Based on a 13.8 x 13.8 metre open plan office with 70/50/20 reflectances, a 0.80 maintenance factor and 0.8 working plane

Performance Guide - 4100 lumens

Open plan office

| Ceiling Height | Luminaire Spacings | Lux Level Average | Uniformity | UGR | Cylindrical Illuminance | Modelling Index |
|----------------|--------------------|-------------------|------------|-----|-------------------------|-----------------|
| Metres | Metres | E_m | U_o | UGR | E_{cyl} | E_{cyl}/E_m |
| 2.4 | 3.0 x 3.0 | 433 lux | 0.65 | 19 | 187 lux | 0.43 |
| | 3.0 x 2.4 | 534 lux | 0.76 | 19 | 223 lux | 0.42 |
| | 2.4 x 2.4 | 652 lux | 0.87 | 19 | 265 lux | 0.41 |
| 2.7 | 3.0 x 3.0 | 422 lux | 0.84 | 19 | 178 lux | 0.42 |
| | 3.0 x 2.4 | 513 lux | 0.81 | 19 | 217 lux | 0.42 |
| | 2.4 x 2.4 | 625 lux | 0.88 | 19 | 260 lux | 0.42 |
| 3.0 | 3.0 x 3.0 | 410 lux | 0.89 | 19 | 170 lux | 0.41 |
| | 3.0 x 2.4 | 498 lux | 0.83 | 19 | 205 lux | 0.41 |
| | 2.4 x 2.4 | 607 lux | 0.88 | 19 | 247 lux | 0.41 |

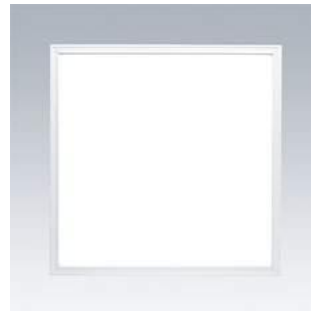
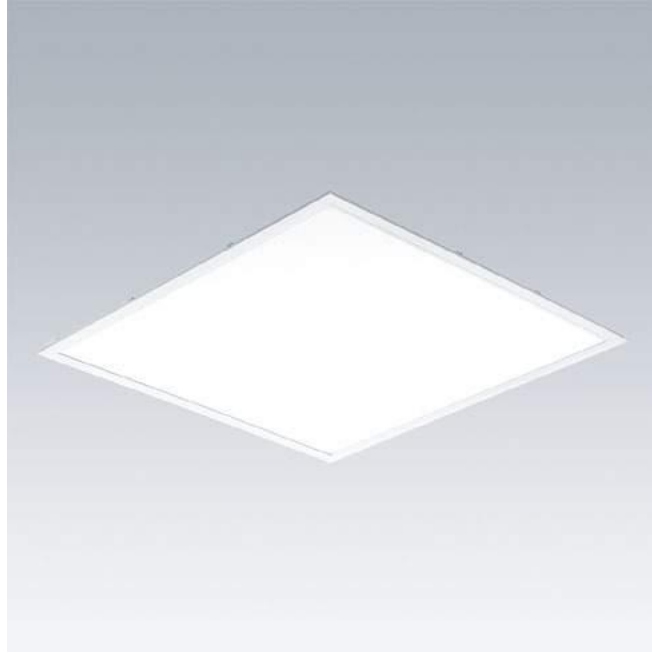
Based on a 13.8 x 13.8 metre open plan office with 70/50/20 reflectances, a 0.80 maintenance factor and 0.8 working plane



An alternative recessed panel which bridges the economic gap between LED technology and conventional light sources



www.thornlighting.co.uk/BETA
www.thornlighting.ie/BETA



LAMPS

LED 34-38W

STANDARDS

CE IP₂₀²⁰ IK03 T_a25 650°C

- The prismatic diffuser is perfect for working areas as well as circulation areas in an office building
- Beta Office adheres to the office lighting norm (EN12464) making it perfect for working environments
- Excellent core essentials provide high performance whilst minimalist construction ensures affordability

MATERIALS/FINISH

Frame: aluminium (RAL 9016)
 Diffuser: prismatic

INSTALLATION/MOUNTING

Suitable for recessed mounting in layin exposed T grid systems.

SPECIFICATION

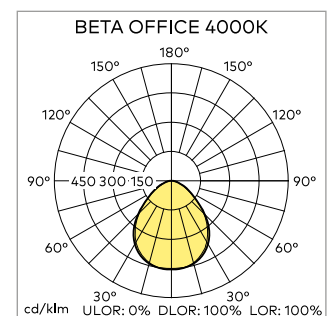
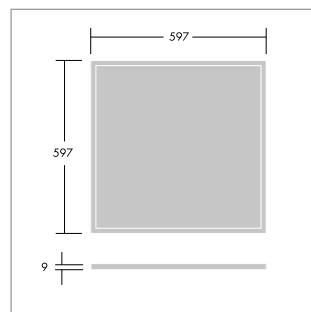
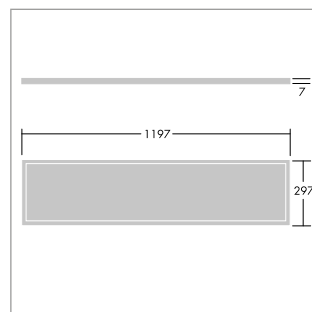
To specify state:
 A light weight recessed luminaire for exposed T grid systems with LED light source. 3000K and 4000K colour temperature, CRI >80 and a lifetime of 50,000 hours @ L70 Ta 25°C including high efficiency up to 111lm/W, UGR<19.

As Thorn Beta Office.

ORDERING GUIDE

| Description | Wt (kg) | SAP Code | Cat. No. |
|--|---------|----------|------------------|
| Beta Office 600x600 | | | |
| BETA OFFICE LED4000-830 HF E3 Q597 | 5.40 | 96628248 | BETO4000ZE3K |
| BETA OFFICE LED4000-830 HF Q597 | 4.10 | 96628245 | BETO4000Z3K |
| BETA OFFICE LED4000-830 HFIX E3 Q597 | 4.70 | 96665835 | BETO4000XE3K |
| BETA OFFICE LED4000-830 HFIX Q597 | 4.10 | 96665831 | BETO4000X3K |
| BETA OFFICE LED4000-840 HF E3 Q597 | 5.40 | 96628247 | BETO4000ZE4K |
| BETA OFFICE LED4000-840 HF Q597 | 4.10 | 96628244 | BETO4000Z4K |
| BETA OFFICE LED4000-840 HFIX E3 Q597 | 4.70 | 96665834 | BETO4000XE4K |
| BETA OFFICE LED4000-840 HFIX Q597 | 4.10 | 96665830 | BETO4000X4K |
| Beta Office 300x1200 | | | |
| BETA OFFICE LED3400-830 HF 1197X297 | 4.10 | 96665837 | BETO3400Z3K12X3 |
| BETA OFFICE LED3400-830 HF E3 1197X297 | 4.70 | 96665841 | BETO3400ZE3K12X3 |
| BETA OFFICE LED3400-830 HFIX 1197X297 | 4.40 | 96665839 | BETO3400X3K12X3 |
| BETA OFFICE LED3400-840 HF 1197X297 | 4.10 | 96665836 | BETO3400Z4K12X3 |
| BETA OFFICE LED3400-840 HF E3 1197X297 | 4.70 | 96665840 | BETO3400ZE4K12X3 |
| BETA OFFICE LED3400-840 HFIX 1197X297 | 4.40 | 96665838 | BETO3400X4K12X3 |

To make reading our ordering guides easier please use the SAP description key fold out, inside the back cover. For more information please visit our website www.thornlighting.co.uk and simply search for our products.



Omega Circular



www.thornlighting.co.uk/OMGC
www.thornlighting.ie/OMGC



The Omega Circular is an extension to the Omega family which offers the freedom to change the geometry of the space



LAMPS

LED

16.4-42W

STANDARDS

CE IP20 IK02 $T_a 0_{-25}$

- Freedom of design: When you are looking for something different, we can help create a considered design with all new shapes
- Full family: There is a 200mm, 400mm and 500mm diameter product which offers you the choice to use this family in all kinds of spaces
- Application: Could replace a 600x600mm product in a wide variety of spaces in an office or school
- Unique installation: Created to fit exactly the tools a contractor would have in their toolbox.

MATERIALS/FINISH

Frame: aluminium
Body: sheet steel (RAL9016)
Diffuser: opal acrylic

INSTALLATION/MOUNTING

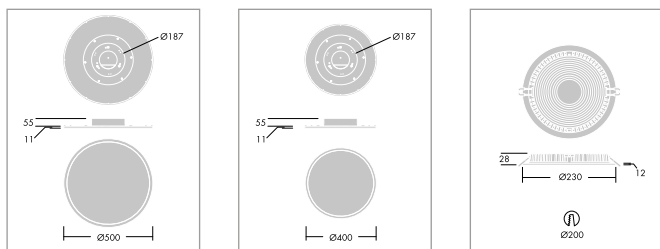
Suitable for semi recessed using twist and lock function, surface mounted can be achieved with this mechanism also.

SPECIFICATION

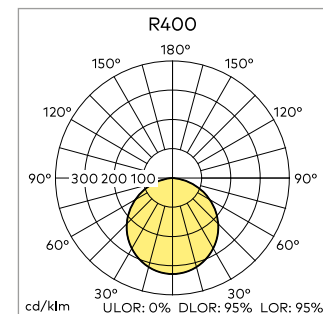
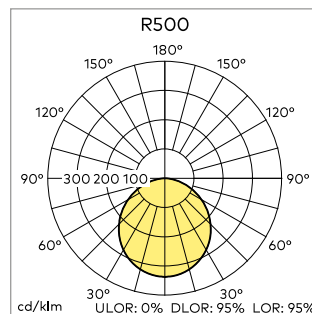
To specify state:
A versatile circular edge lit panel for recessed mounting, with LED light source with 3000/4000K colour temperature, CRI >80 and a lifetime of 50 000 hours @L70 Ta 25°C
As Thorn Omega Circular

ORDERING GUIDE

| Description | Wt (kg) | SAP Code | Cat. No. |
|--|---------|----------|-------------|
| Omega Circular | | | |
| OMEGA C LED1600-830 HF R200 | 1.00 | 96627763 | OMC1600Z3K |
| OMEGA C LED1600-840 HF R200 | 1.00 | 96627762 | OMC1600Z4K |
| OMEGA C LED2800-830 HF R400 | 3.30 | 96627771 | OMC2800Z3K |
| OMEGA C LED2800-840 HF R400 | 3.30 | 96627770 | OMC2800Z4K |
| OMEGA C LED3200-830 HF R500 | 4.50 | 96627779 | OMC3200Z3K |
| OMEGA C LED3200-840 HF R500 | 4.50 | 96627778 | OMC3200Z4K |
| Omega Circular emergency | | | |
| OMEGA C LED1600-830 HF E3 R200 | 1.00 | 96627767 | |
| OMEGA C LED1600-840 HF E3 R200 | 1.00 | 96627766 | |
| OMEGA C LED2800-830 HF E3 R400 | 3.30 | 96627775 | OMC2800ZE3K |
| OMEGA C LED2800-840 HF E3 R400 | 3.30 | 96627774 | OMC2800ZE4K |
| OMEGA C LED3200-830 HF E3 R500 | 4.50 | 96627783 | OMC3200ZE3K |
| OMEGA C LED3200-840 HF E3 R500 | 4.50 | 96627782 | OMC3200ZE4K |
| Omega Circular dimmable | | | |
| OMEGA C LED1600-830 HFIX R200 | 1.00 | 96627765 | OMC1600X3K |
| OMEGA C LED1600-840 HFIX R200 | 1.00 | 96627764 | OMC1600X4K |
| OMEGA C LED2800-830 HFIX R400 | 3.30 | 96627773 | OMC2800X3K |
| OMEGA C LED2800-840 HFIX R400 | 3.30 | 96627772 | OMC2800X4K |
| OMEGA C LED3200-830 HFIX R500 | 4.50 | 96627781 | OMC3200X3K |
| OMEGA C LED3200-840 HFIX R500 | 4.50 | 96627780 | OMC3200X4K |
| Omega Circular dimmable, emergency | | | |
| OMEGA C LED1600-830 HFIX E3 R200 | 1.00 | 96627769 | |
| OMEGA C LED1600-840 HFIX E3 R200 | 1.00 | 96627768 | |
| OMEGA C LED2800-830 HFIX E3 R400 | 3.30 | 96627777 | OMC2800XE3K |
| OMEGA C LED2800-840 HFIX E3 R400 | 3.30 | 96627776 | OMC2800XE4K |
| OMEGA C LED3200-830 HFIX E3 R500 | 4.50 | 96627785 | OMC3200XE3K |
| OMEGA C LED3200-840 HFIX E3 R500 | 4.50 | 96627784 | OMC3200XE4K |
| Omega Circular suspension accessory | | | |
| OMEGA CIRCULAR SUSPENSION ACCESSORY | | 96108617 | |



To make reading our ordering guides easier please use the SAP description key fold out, inside the back cover. For more information please visit our website www.thornlighting.co.uk and simply search for our products.





www.thornlighting.co.uk/OMPL
www.thornlighting.ie/OMPL



Comfort and style: Edge lit flat panel range with unique glare control



- Efficient LED edge lit solution with unique Glare ProTech prismatic optic for high performance optical and glare control
- Ideal LED solution for office lighting complying with EN 12464 office lighting norms (UGR <19 in any room size and <2500 cd/m² at 65°)
- Class leading glare control on screens and increased comfort for all users of the space
- A direct replacement for 4x14W recessed luminaires

MATERIALS/FINISH

Body: mild sheet steel, white (RAL9016)
 Diffuser: UV-stabilised, Glare ProTech prismatic optic

INSTALLATION/MOUNTING

Omega Pro LED is suitable for lay-in installation into 15mm or 24mm exposed T grid ceilings. The luminaire simply lays onto the ceiling grid for quick installation. For installation from below into concealed metal ceilings, versions with pre-assembled bracket (MRM) are available. Surface mounting: collar type - fixed to the ceiling with 4 screws via keyhole slots, product to be laid in. Suspended mounting: suspended via adjustable wire suspension (1500mm), 4 fixing points to the ceiling.

SPECIFICATION

To specify state:
 A versatile edge lit panel for recessed, surface and suspended mounting with LED light source with 3000/4000°K colour temperature. Compliant to DSE requirements within EN12464 providing UGR < 19 due to unique Glare ProTech prismatic optic. CRI > 80.
 As Thorn Omega Pro LED

ORDERING GUIDE

| Description | Wt (kg) | SAP Code | Cat. No. |
|--|---------|----------|-------------|
| Omega Pro 600x600 | | | |
| OMEGA PRO LED3400-840 HF Q597 MRM | 5.17 | 96630218 | OMP3400Z4K |
| OMEGA PRO LED3400-840 HF Q597 | 4.77 | 96629736 | OMP3400Z4K |
| OMEGA PRO LED4200-830 HF Q597 | 5.6 | 96629737 | OMP4200Z3K |
| OMEGA PRO LED4200-830 HF Q597 MRM | 6.0 | 96630186 | OMP4200Z3K |
| OMEGA PRO LED4200-840 HF Q597 | 5.6 | 96629738 | OMP4200Z4K |
| OMEGA PRO LED4200-840 HF Q597 MRM | 6.0 | 96630222 | OMP4200Z4K |
| Omega Pro 600x600 Emergency | | | |
| OMEGA PRO LED3400-840 HF E3 Q597 MRM | 6.32 | 96630219 | OMP3400ZE4K |
| OMEGA PRO LED3400-840 HF E3 Q597 | 5.92 | 96630216 | OMP3400ZE4K |
| OMEGA PRO LED4200-840 HF E3 Q597 | 7.2 | 96630187 | OMP4200ZE4K |
| OMEGA PRO LED4200-840 HF E3 Q597 MRM | 7.6 | 96630188 | OMP4200ZE4K |
| Omega Pro 600x600 Dimmable | | | |
| OMEGA PRO LED3400-840 HFIX Q597 MRM | 5.25 | 96630220 | OMP3400X4K |
| OMEGA PRO LED3400-840 HFIX Q597 | 4.85 | 96629739 | OMP3400X4K |
| OMEGA PRO LED4200-830 HFIX Q597 | 5.6 | 96629740 | OMP4200X3K |
| OMEGA PRO LED4200-830 HFIX Q597 MRM | 6.0 | 96630196 | OMP4200X3K |
| OMEGA PRO LED4200-840 HFIX Q597 | 5.6 | 96629741 | OMP4200X4K |
| OMEGA PRO LED4200-840 HFIX Q597 MRM | 5.8 | 96630195 | OMP4200X4K |
| Omega Pro 600x600 Dimmable, emergency | | | |
| OMEGA PRO LED3400-840 HFIX E3 Q597 MRM | 6.4 | 96630221 | OMP3400XE4K |
| OMEGA PRO LED3400-840 HFIX E3 Q597 | 6.0 | 96630217 | OMP3400XE4K |
| OMEGA PRO LED4200-830 HFIX E3 Q597 | 7.2 | 96630199 | OMP4200XE3K |
| OMEGA PRO LED4200-830 HFIX E3 Q597 MRM | 7.6 | 96630200 | OMP4200XE3K |
| OMEGA PRO LED4200-840 HFIX E3 Q597 | 7.2 | 96630197 | OMP4200XE4K |
| OMEGA PRO LED4200-840 HFIX E3 Q597 MRM | 7.6 | 96630198 | OMP4200XE4K |
| Omega Pro 300x1200 | | | |
| OMEGA PRO 3150 HF 3X12 LED830 | 5.60 | 96627425 | OMP3150Z3K |
| OMEGA PRO 3150 HF 3X12 LED840 | 5.60 | 96627424 | OMP3150Z4K |
| Omega Pro 300x1200 Emergency | | | |
| OMEGA PRO 3150 HF E3 3X12 LED830 | 7.40 | 96627429 | OMP3150ZE3K |
| OMEGA PRO 3150 HF E3 3X12 LED840 | 7.40 | 96627428 | OMP3150ZE4K |



LAMPS

LED

30.6-41W

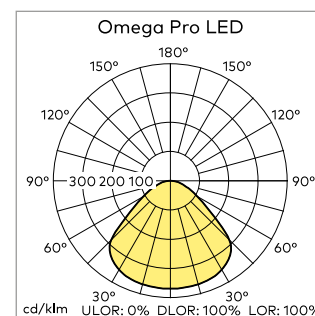
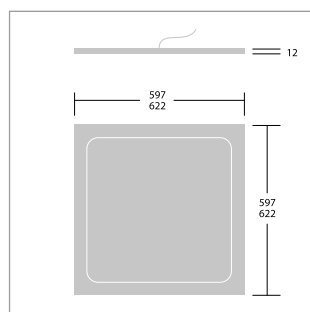
STANDARDS

CE IK03 T_a 0 +25 650°C

IP20 IP40

| Description | Wt (kg) | SAP Code | Cat. No. |
|---|---------|----------|--------------|
| Omega Pro 300x1200 Dimmable | | | |
| OMEGA PRO 3150 HFIX 3X12 LED830 | 5.60 | 96627427 | OMP3150X3K |
| OMEGA PRO 3150 HFIX 3X12 LED840 | 5.60 | 96627426 | OMP3150X4K |
| Omega Pro 300x1200 Dimmable, emergency | | | |
| OMEGA PRO 3150 HFIX E3 3X12 LED830 | 7.40 | 96627433 | OMP3150XE3K |
| OMEGA PRO 3150 HFIX E3 3X12 LED840 | 7.40 | 96627432 | OMP3150XE4K |
| OMEGA PRO 3150 HFI-X E3TX 3X12 LED830 | 7.40 | 96627435 | OMP3150XEX3K |
| OMEGA PRO 3150 HFI-X E3TX 3X12 LED840 | 7.40 | 96627434 | OMP3150XEX4K |
| Omega Pro Accessories | | | |
| OMEGA LED SURFACE MTG KIT 297X1197 | 2.70 | 96241760 | OMSUR12X3KIT |
| OMEGA LED SURFACE MTG KIT 597 | 2.50 | 96241603 | OMSM3250KIT |
| OMEGA LED SUSPENSION KIT | 0.80 | 96241604 | OMSUSKIT |
| OMEGA PLASTERBOARD MOUNT KIT 297X1197 | 2.40 | 96627999 | |
| OMEGA PLASTERBOARD MOUNT KIT E3 297X1197 | 2.30 | 96628000 | |
| OMEGA PLASTERBOARD MOUNTING KIT E3 Q597 | 1.57 | 96627712 | OMPBE36X6KIT |
| OMEGA PLASTERBOARD MOUNTING KIT Q597 | 1.75 | 96627893 | OMPBS6X6KIT |
| OMEGA SLIM SURFACE MOUNT KIT 297X1197 | 2.75 | 96628005 | OMS12X3KIT |
| OMEGA SLIM SURFACE MOUNT KIT 597X597 | 1.80 | 96628003 | OMS6X6KIT |

To make reading our ordering guides easier please use the SAP description key fold out, inside the back cover. For more information please visit our website www.thornlighting.co.uk and simply search for our products.



Omega

LED



www.thornlighting.co.uk/OMGL
www.thornlighting.ie/OMGL



50% less energy than a 4x18W T26 (T8) fluorescent with adjustable mounting options for through-life flexibility



- With the use of simple mounting kits, the recessed version offers increased flexibility, for use where either surface or suspended mounting is required
- Good uniformity and easy retrofit for traditional luminaires. DALI dimming further increases energy savings
- IP44 (from below) extends application scope to include restrooms and hospitals
- Available as 300x300mm, 600x600mm, 300x1200

MATERIALS/FINISH

Body: mild steel sheet, white (RAL9016)
 Diffuser: UV-stabilized, opal acrylic

INSTALLATION/MOUNTING

Recessed: lay in for most suspended T15/24 ceilings. 300x300 suitable for pull up installations (concealed & plaster board ceilings).
 Surface: collar type - fixed to the ceiling with 4 screws via keyhole slots, product to be layed in.
 Suspended: suspended via adjustable wire suspension (1500mm), 4 fixing points to the ceiling, 300x300 is not suitable for suspension mounting.

SPECIFICATION

To specify state:
 A versatile square/rectangular luminaire for recessed, surface and suspended mounting with LED light source with 3000/4000K colour temperature, CRI >80 and a lifetime of 50,000 hours @ L70 Ta 25C.
 As Thorn Omega LED.

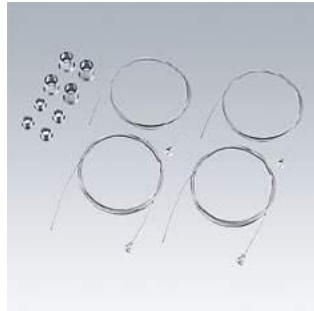
ORDERING GUIDE

Supplied complete with LEDs. Mounting accessories to be ordered separately.

| Description | Wt (kg) | SAP Code | Cat. No. |
|--|---------|----------|-------------|
| Omega LED 300x300 | | | |
| OMEGA LED 1000-830 HF | 2.30 | 96602036 | OM1000Z3K |
| OMEGA LED 1000-830 HF MRP | 2.30 | 96241752 | OMR1000Z3K |
| OMEGA LED 1000-840 HF | 2.30 | 96602040 | OM1000Z4K |
| OMEGA LED 1000-840 HF MRP | 2.30 | 96241753 | OMR1000Z4K |
| Omega LED 300x300 dimmable | | | |
| OMEGA LED 1000-830 HFIX | 2.30 | 96602037 | OM1000X3K |
| OMEGA LED 1000-830 HFIX MRP | 2.30 | 96241754 | OMR1000X3K |
| OMEGA LED 1000-840 HFIX | 2.30 | 96602041 | OM1000X4K |
| OMEGA LED 1000-840 HFIX MRP | 2.30 | 96241755 | OMR1000X4K |
| Omega LED 300x300 emergency | | | |
| OMEGA LED 1000-830 HF E3 | 3.80 | 96602038 | OM1000ZE3K |
| OMEGA LED 1000-830 HF E3 MRP | 3.80 | 96241756 | OMR1000ZE3K |
| OMEGA LED 1000-840 HF E3 | 3.80 | 96602042 | OM1000ZE4K |
| OMEGA LED 1000-840 HF E3 MRP | 3.80 | 96241757 | OMR1000ZE4K |
| Omega LED 300x300 dimmable, emergency | | | |
| OMEGA LED 1000-830 HFIX E3 | 3.80 | 96602039 | OM1000XE3K |
| OMEGA LED 1000-830 HFIX E3 MRP | 3.80 | 96241758 | OMR1000XE3K |
| OMEGA LED 1000-840 HFIX E3 | 3.80 | 96602043 | OM1000XE4K |
| OMEGA LED 1000-840 HFIX E3 MRP | 3.80 | 96241759 | OMR1000XE4K |
| Omega LED 600x600 | | | |
| OMEGA LED 3300-830 HF Q597 | 5.0 | 96629742 | OM3300Z3K |
| OMEGA LED 3300-840 HF Q597 | 5.0 | 96629743 | OM3300Z4K |
| OMEGA LED 4000-830 HF Q597 | 5.1 | 96629744 | OM4000Z3K |
| OMEGA LED 4000-840 HF Q597 | 5.1 | 96629745 | OM4000Z4K |
| Omega LED 600x600 dimmable | | | |
| OMEGA LED 3300-830 HFIX Q597 | 5.2 | 96629746 | OM3300X3K |
| OMEGA LED 3300-840 HFIX Q597 | 5.2 | 96629747 | OM3300X4K |
| OMEGA LED 4000-830 HFIX Q597 | 5.3 | 96629748 | OM4000X3K |
| OMEGA LED 4000-840 HFIX Q597 | 5.3 | 96629749 | OM4000X4K |
| Omega LED 600x600 emergency | | | |
| OMEGA LED 3300-830 HF E3 Q597 | 6.1 | 96630181 | OM3300ZE3K |
| OMEGA LED 3300-840 HF E3 Q597 | 6.1 | 96630182 | OM3300ZE4K |
| OMEGA LED 4000-830 HF E3 Q597 | 6.1 | 96630205 | OM4000ZE3K |
| OMEGA LED 4000-840 HF E3 Q597 | 6.1 | 96630204 | OM4000ZE4K |



With surface mounting kit



Suspension kit



With suspension kit

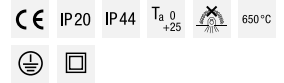


LAMPS

LED

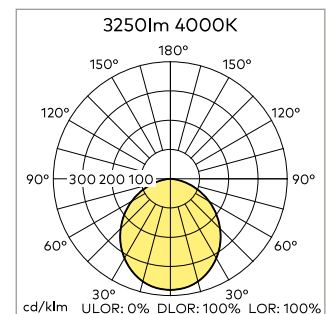
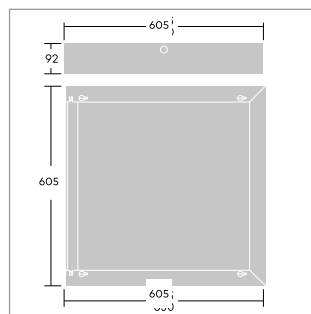
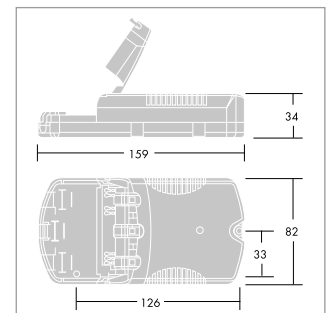
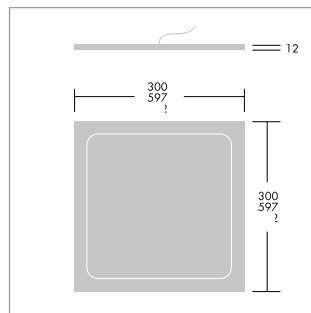
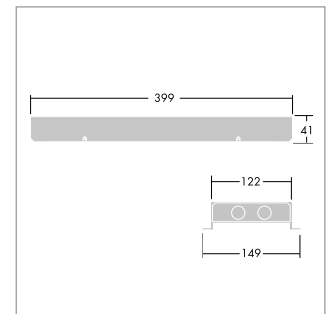
11-41W

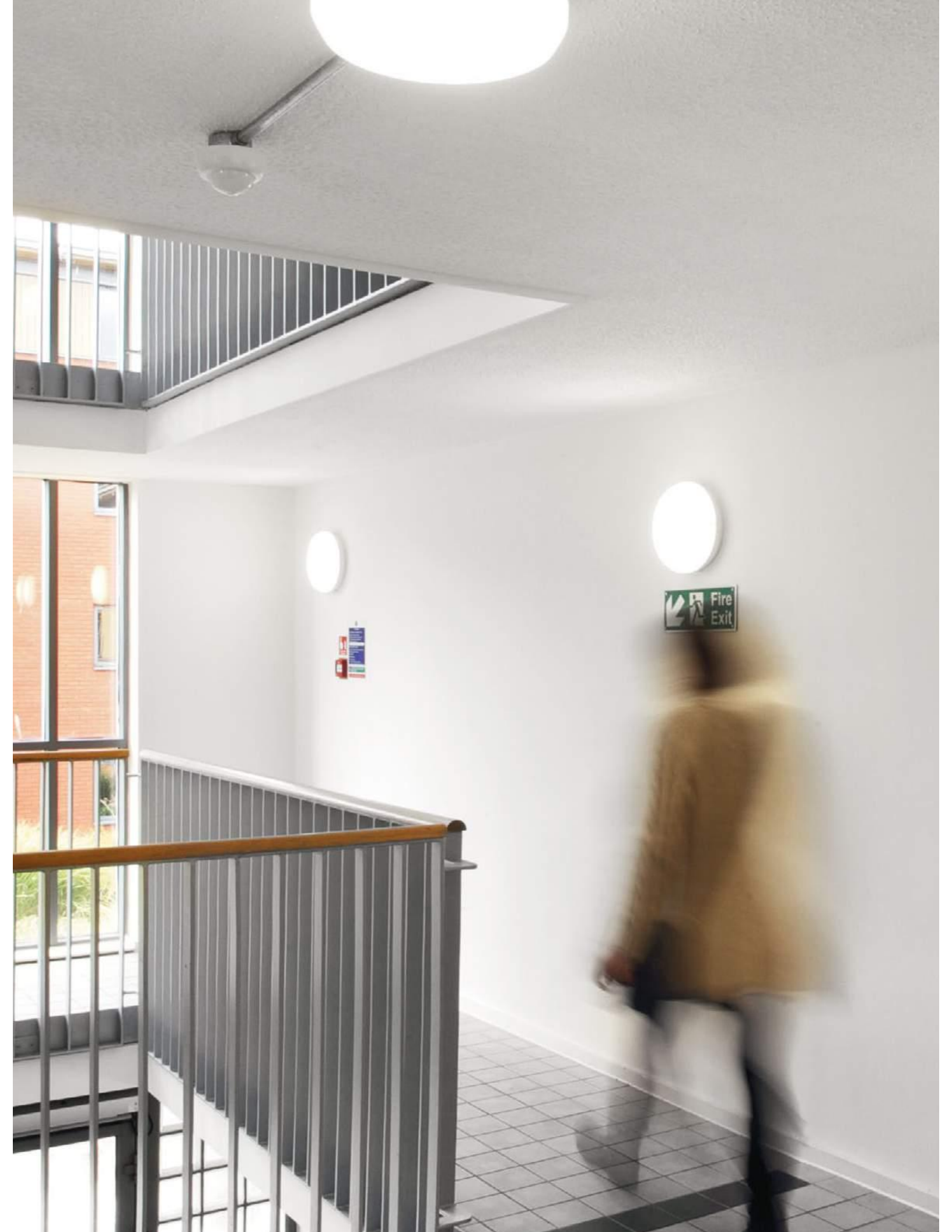
STANDARDS



| Description | Wt (kg) | SAP Code | Cat. No. |
|---|---------|----------|--------------|
| Omega LED 600x600 dimmable, emergency | | | |
| OMEGA LED 3300-830 HFIX E3 Q597 | 6.1 | 96630183 | OM3300XE3K |
| OMEGA LED 3300-840 HFIX E3 Q597 | 6.1 | 96630184 | OM3300XE4K |
| OMEGA LED 4000-830 HFIX E3 Q597 | 6.1 | 96630206 | OM4000XE3K |
| OMEGA LED 4000-840 HFIX E3 Q597 | 6.1 | 96630185 | OM4000XE4K |
| Omega LED 300x1200 | | | |
| OMEGA LED 4000-830 HF 297X1197 | 4.60 | 96241587 | OM4000Z3K |
| OMEGA LED 4000-840 HF 297X1197 | 4.60 | 96241588 | OM4000Z4K |
| Omega LED 300x1200 dimmable | | | |
| OMEGA LED 4000-830 HFIX 297X1197 | 4.60 | 96241589 | OM4000X3K |
| OMEGA LED 4000-840 HFIX 297X1197 | 4.60 | 96241590 | OM4000X4K |
| Omega LED 300x1200 emergency | | | |
| OMEGA LED 4000-830 HF E3 297X1197 | 6.10 | 96241591 | OM4000ZE3K |
| OMEGA LED 4000-840 HF E3 297X1197 | 6.10 | 96241592 | OM4000ZE4K |
| Omega LED 300x1200 dimmable, emergency | | | |
| OMEGA LED 4000-830 HFIX E3 297X1197 | 6.10 | 96241593 | OM4000XE3K |
| OMEGA LED 4000-840 HFIX E3 297X1197 | 6.10 | 96241594 | OM4000XE4K |
| Omega LED Accessories | | | |
| OMEGA LED SURFACE MTG KIT 297X1197 | 2.70 | 96241760 | OMSUR12X3KIT |
| OMEGA LED SURFACE MTG KIT 597 | 2.50 | 96241603 | OMSM3250KIT |
| OMEGA LED SUSPENSION KIT | 0.80 | 96241604 | OMSUSKIT |
| OMEGA PLASTERBOARD MOUNTING KIT E3 Q597 | 1.57 | 96627712 | OMPBE36X6KIT |
| OMEGA PLASTERBOARD MOUNTING KIT Q597 | 1.75 | 96627893 | OMPBS6X6KIT |
| OMEGA SLIM SURFACE MOUNT KIT 297X1197 | 2.75 | 96628005 | OMS12X3KIT |
| OMEGA SLIM SURFACE MOUNT KIT 297X297 | 0.95 | 96628002 | OMS3X3KIT |
| OMEGA SLIM SURFACE MOUNT KIT 597X597 | 1.80 | 96628003 | OMS6X6KIT |

To make reading our ordering guides easier please use the SAP description key fold out, inside the back cover. For more information please visit our website www.thornlighting.co.uk and simply search for our products.





Indoor Lighting

WALL AND CEILING DECORATIVE LUMINAIRES



60
Thames



61
Novaline



62
Danube



63
Loire



64
Loire LX



65
Club LED



66
Lyric Deco



68
Lyric LED



69
Cimi



www.thornlighting.co.uk/THMS
www.thornlighting.ie/THMS



- Sealed to IP44 with aluminium base for strength and rigidity
- Metallic bezel available in white or silver
- Supplied with Quick Fix Bracket for safe and rapid electrical installation
- Over 65 lm/W efficacy

MATERIALS/FINISH

Body: die-cast aluminium
Bezel: silver or white finish (close to RAL 9016)
Diffuser: opal polycarbonate

INSTALLATION/MOUNTING

Suitable for surface mounting on wall or ceiling for both interior and exterior use. Quick Fix Bracket is screw fixed onto mounting surface by 4 oblong holes (4.5mm x 10mm). Mains connection via 6x2x2.5mm² terminal block. 'Light Box' mechanically and electrically auto-connected to the Quick Fix Bracket. For loop wiring there are two Ø20mm cable entry holes on the Quick Fix Bracket.

SPECIFICATION

To Specify state:
Unique and distinctive circular luminaire for 1000lm LED, with an acute angular steel bezel 'floating halo'. Concave opal polycarbonate diffuser mounted on a die-cast aluminium body, with lamp and electronic, integral emergency gear, connected to Quick Fix Bracket. As Thorn Thames.

Elegant luminaire for wall or ceiling mounting with tapered bezel for floating halo effect



LAMPS

LED 15.5W

STANDARDS

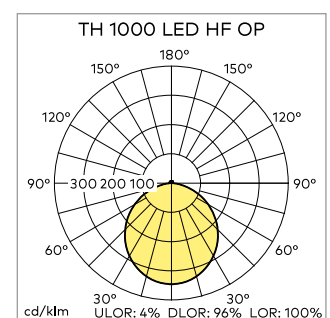
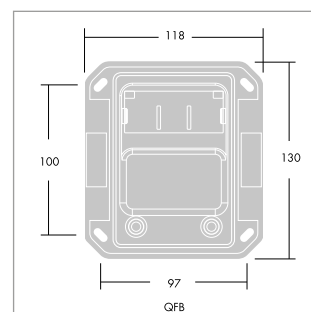
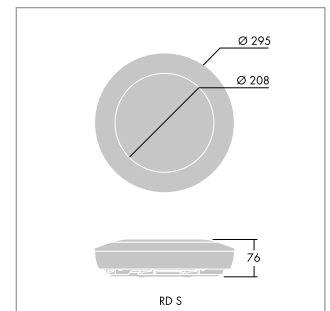
IP44 IK09 T_a25 960°C

ORDERING GUIDE

Supplied complete with Quick Fix Bracket and LED

| Description | Wt (kg) | SAP Code | Cat. No. |
|----------------------------------|---------|----------|------------|
| TH 1000 LED HF E3 OP RD SIL L840 | 2.36 | 96241418 | THR1000ZES |
| TH 1000 LED HF E3 OP RD WHI L840 | 2.36 | 96241365 | THR1000ZEW |
| TH 1000 LED HF OP RD SIL L840 | 2.11 | 96241417 | THR1000ZS |
| TH 1000 LED HF OP RD WHI L840 | 2.11 | 96241364 | THR1000ZW |

To make reading our ordering guides easier please use the SAP description key fold out, inside the back cover. For more information please visit our website www.thornlighting.co.uk and simply search for our products.





www.thornlighting.co.uk/NOVN
www.thornlighting.ie/NOVN

A slim circular luminaire for wall or ceiling mounting, which blends with most architectural styles



LAMPS

LED 11-32.5W

STANDARDS

IP40 IK02 T₂₅ 850°C

- Sleek design with a diffuser that can be removed without tools
- Available in two sizes
- Sealed to IP40 with aluminium body
- Over 65 lm/W efficacy
- OTHER OPTIONS ARE AVAILABLE (Dimming, Emergency...). See myProduct for configuration options

MATERIALS/FINISH

Body: spun aluminium - white (RAL 9016)
Diffuser: opal polycarbonate

INSTALLATION/MOUNTING

Wall or ceiling mounting for interior use. Simple installation with central BESA fixings and rear cable entry. 3-way mains terminal block (4-way for emergency version).

SPECIFICATION

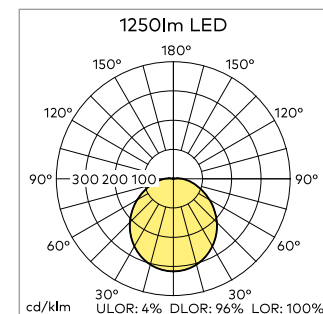
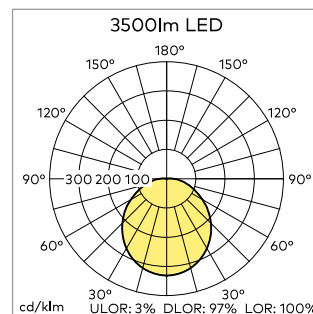
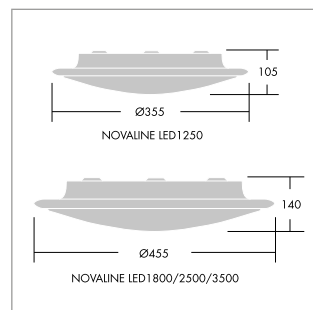
To specify state:
Slim circular wall or ceiling luminaire in white finish with 1250lm or 3500lm LED.
As Thorn Novaline

ORDERING GUIDE

Supplied complete with LED

| Description | Wt (kg) | SAP Code | Cat. No. |
|----------------------------|---------|----------|------------|
| Novaline LED | | | |
| NOVALINE LED1250-830 HF WH | 1.17 | 96642686 | NV1250ZW3K |
| NOVALINE LED1250-840 HF WH | 1.17 | 96642682 | NV1250ZW4K |
| NOVALINE LED1800-830 HF WH | 2.14 | 96642694 | NV1800ZW3K |
| NOVALINE LED1800-840 HF WH | 2.14 | 96642690 | NV1800ZW4K |
| NOVALINE LED2500-830 HF WH | 2.14 | 96642700 | NV2500ZW3K |
| NOVALINE LED2500-840 HF WH | 2.14 | 96642696 | NV2500ZW4K |
| NOVALINE LED3500-830 HF WH | 2.14 | 96642706 | NV3500ZW3K |
| NOVALINE LED3500-840 HF WH | 2.14 | 96642702 | NV3500ZW4K |
| Novaline Accessory | | | |
| NVLORK SEMI-RECESSING KIT | 1.16 | 96014873 | NVSRKIT |

To make reading our ordering guides easier please use the SAP description key fold out, inside the back cover. For more information please visit our website www.thornlighting.co.uk and simply search for our products.





www.thornlighting.co.uk/DNBE
www.thornlighting.ie/DNBE



Quick fix bracket with spacers

LAMPS

LED 16W

STANDARDS

EN 60598 IP65 IK07 T_a25 960°C

- Sealed to IP65
- Supplied with Quick Fix Bracket for safe and rapid electrical installation
- Over 77 lm/W efficacy

MATERIALS/FINISH

Body: die-cast aluminium.
 Bezel: white polycarbonate (RAL 9016)
 Diffuser: opal polycarbonate

INSTALLATION/MOUNTING

Suitable for surface mounting on wall or ceiling for both interior and exterior use. Quick Fix Bracket is screw fixed onto mounting surface by 4 oblong holes (4.5mm x 10mm). Mains connection via 6x2x2.5mm² terminal block. 'Light Box' mechanically and electrically auto-connected to the Quick Fix Bracket. For loop wiring there are two Ø20mm cable entry holes on the Quick Fix Bracket.

SPECIFICATION

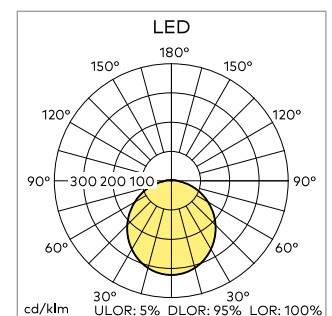
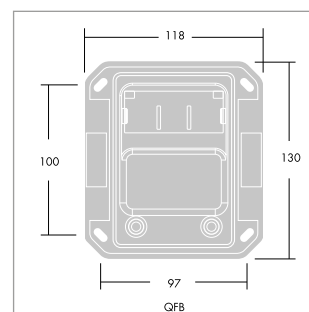
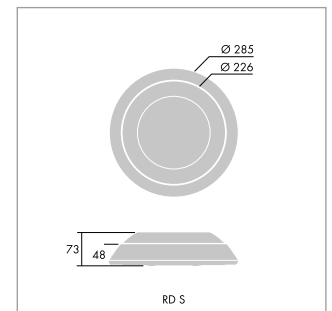
To specify state:
 Bold and versatile circular or square luminaire for 1200lm LED, with polycarbonate body, 'flat' opal and prismatic diffuser with attachments in colour mounted on to an injection moulded polycarbonate body with lamp, electronic and integral emergency gear connected to Quick Fix Bracket.
 As Thorn Danube.

ORDERING GUIDE

Supplied complete with Quick Fix Bracket and LED

| Description | Wt (kg) | SAP Code | Cat. No. |
|----------------------------------|---------|----------|------------|
| Danube LED | | | |
| DA 1200 LED HF E3 OP RD WHI L840 | 1.82 | 96241363 | DA1200ZEOP |
| DA 1200 LED HF OP RD WHI L840 | 1.57 | 96241362 | DA1200ZOP |

To make reading our ordering guides easier please use the SAP description key fold out, inside the back cover. For more information please visit our website www.thornlighting.co.uk and simply search for our products.





www.thornlighting.co.uk/LOIR
www.thornlighting.ie/LOIR



Decorative luminaire for wall or ceiling mounting with dome shaped diffuser in polycarbonate



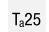
LAMPS


 LED 16W

STANDARDS









- Sealed to IP65
- Supplied with Quick Fix Bracket for safe and rapid electrical installation
- Over 77 lm/W efficacy

MATERIALS/FINISH

Body: injection moulded polycarbonate
Bezel: polycarbonate white finish (RAL 9016)
Diffuser: opal polycarbonate

INSTALLATION/MOUNTING

Suitable for surface mounting on wall or ceiling for both interior and exterior use. Quick Fix Bracket is screw fixed onto mounting surface by 4 oblong holes (4.5mm x 10mm). Mains connection via 6x2x2.5mm² terminal block. 'Light Box' mechanically and electrically auto-connected to the Quick Fix Bracket. For loop wiring there are two Ø20mm cable entry holes on the Quick Fix Bracket.

SPECIFICATION

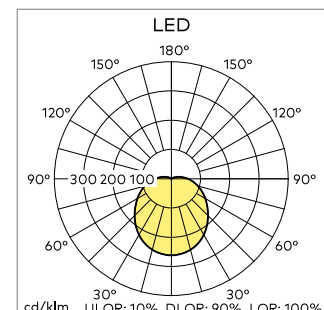
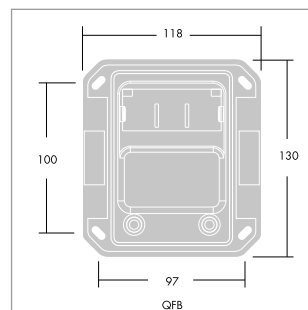
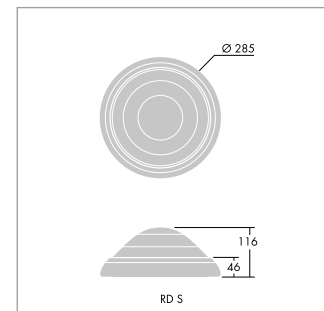
To specify state:
Fresh and contemporary circular luminaire with 1200lm LED with polycarbonate body and opal diffuser in polycarbonate with electronic gear connected to Quick Fix Bracket.
As Thorn Loire.

ORDERING GUIDE

Supplied complete with Quick Fix Bracket and LED

| Description | Wt (kg) | SAP Code | Cat. No. |
|----------------------------------|---------|----------|----------|
| Loire LED | | | |
| LO 1200 LED HF E3 OP RD WHI L840 | 1.82 | 96241359 | LO1200ZE |
| LO 1200 LED HF OP RD WHI L840 | 1.57 | 96241358 | LO1200Z |

To make reading our ordering guides easier please use the SAP description key fold out, inside the back cover. For more information please visit our website www.thornlighting.co.uk and simply search for our products.





www.thornlighting.co.uk/LOIX
www.thornlighting.ie/LOIX



- White body with opal polycarbonate diffuser
- IP65 for exterior applications
- Easy to install
- Antivandal screw
- Over 77 lm/W efficacy

MATERIALS/FINISH

Body: injection moulded polycarbonate
 Bezel: polycarbonate, white finish (RAL 9016)
 Diffuser: opal polycarbonate

INSTALLATION/MOUNTING

Suitable for surface mounting on wall or ceiling for both interior and exterior use. Easy to fit wall or ceiling mounting by 2 fixing holes or besa box. Electrical connection via 3 way piano key terminal block. Twin inputs for loop in and out.

SPECIFICATION

To specify state:
 Fresh contemporary circular luminaire with white polycarbonate body and polycarbonate opal diffuser. As Thorn Loire LX.

A tough polycarbonate bulkhead with a dome shaped design, IP65 rated, suitable for indoor and outdoor applications.

LAMPS

LED 9-12W

STANDARDS

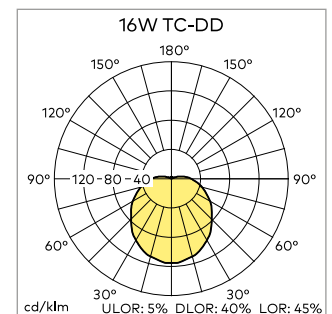
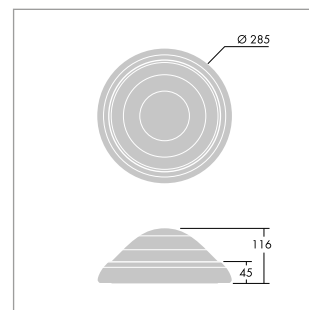
EN 60598 IP65 IK07 T_a25 960°C

ORDERING GUIDE

Supplied complete with lamps.

| Description | Wt (kg) | SAP Code | Cat. No. |
|--|---------|----------|-----------|
| Loire LX LED | | | |
| LO LX 900 LED HF MWS CL2 OP RD WHI L840 | 1.20 | 96241514 | LOLX900ZS |
| LO LX 900 LED HF OP CL2 RD WHI L840 | 1.10 | 96241513 | LOLX900Z |
| LO LX 1200 LED HF CL2 OP RD WHI L840 | 1.10 | 96241360 | |
| LO LX 1200 LED HF MWS CL2 OP RD WHI L840 | 1.20 | 96241506 | |

To make reading our ordering guides easier please use the SAP description key fold out, inside the back cover. For more information please visit our website www.thornlighting.co.uk and simply search for our products.



Stylish, tough wall or ceiling mounted luminaire with the emphasis on its slim section



www.thornlighting.co.uk/CLUB
www.thornlighting.ie/CLUB



LAMPS

LED 13-14W

STANDARDS

CE IP54 IK08 T_a25 850°C

- Sealed to IP54
- Available with a choice of bezel colours, complemented by an opal diffuser
- Integral 3hr maintained emergency option
- With sensor and emergency lighting options
- Over 67 lm/W efficacy

MATERIALS/FINISH

Body and trim: injection moulded polycarbonate.
 Diffuser: opal polycarbonate.
 Body and trim colours: white body with white (RAL 9016) or polished chrome trim.

INSTALLATION/MOUNTING

Suitable for surface mounting. Rear BESA mounting provision with cable entry into 3 way terminal block suitable to accept 2x2.5mm².

SPECIFICATION

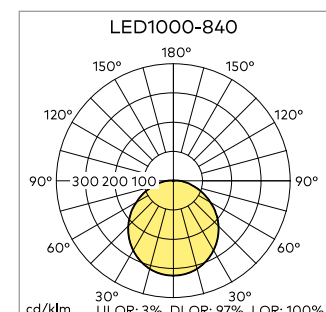
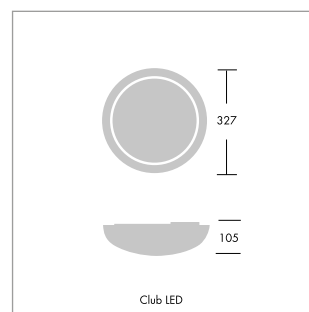
To specify state:
 Standard/Emergency circular surface luminaire with polycarbonate body and trim in white/polished chrome.
 Polycarbonate opal diffuser and integral LED control gear.
 As Thorn Club.

ORDERING GUIDE

Supplied complete with lamp/LED.

| Description | Wt (kg) | SAP Code | Cat. No. |
|--------------------------------------|---------|----------|-------------|
| Club LED | | | |
| CLUB 1000 LED2 E3 MWS OP RD CHR L840 | 1.80 | 96242256 | CL10ZSECH4K |
| CLUB 1000 LED2 E3 MWS OP RD WH L840 | 1.80 | 96242240 | CL10ZSEW4K |
| CLUB 1000 LED2 E3 OP RD CHR L840 | 1.70 | 96242254 | CL10ZECH4K |
| CLUB 1000 LED2 E3 OP RD WH L840 | 1.70 | 96617057 | CL10ZEW4K |
| CLUB 1000 LED2 MWS OP RD CHR L840 | 1.60 | 96242255 | CL10ZSCH4K |
| CLUB 1000 LED2 MWS OP RD WH L840 | 1.60 | 96242239 | CL10ZSW4K |
| CLUB 1000 LED2 OP RD CHR L840 | 1.40 | 96242253 | CL10ZCH4K |
| CLUB 1000 LED2 OP RD WH L840 | 1.40 | 96617056 | CL10ZW4K |
| CLUB 1000 LED2 OP RD CHR L830 | 1.40 | 96627554 | CL10ZCH3K |
| CLUB 1000 LED2 OP RD WH L830 | 1.40 | 96242277 | CL10ZW3K |

To make reading our ordering guides easier please use the SAP description key fold out, inside the back cover. For more information please visit our website www.thornlighting.co.uk and simply search for our products.





www.thornlighting.co.uk/LYRD
www.thornlighting.ie/LYRD

A stylish family of decorative LED luminaires adding an elegant statement with soft diffused light



- Sleek, modern design for creating an elegant design feature
- Diffuser crafted from satin opal Triplex glass offering a stylish contemporary appeal
- High efficiency LED light source for optimum performance
- Coordinating family providing a consistent interior design theme
- Up to 125 lm/W efficiency

MATERIALS/FINISH

Diffuser: Satin opal Triplex safety glass with chrome plated metal details.
 Frame (wall mounted): White-painted metal (RAL 9016)
 Details: Chrome plated metal.

INSTALLATION/MOUNTING

Wall mounted
 Ceiling mounted suspended luminaires with ceiling rose and 2m suspension cable, optional pendant kit for groups of 2 – 4 luminaires
 Floor mounted

SPECIFICATION

To specify state:
 Curving tubular pendant in satin opal glass with integrated LED light source and chrome plated metal details. As Thorn Lyric Deco Pendant.

Curving tubular wall mounted fixture in satin opal glass with integrated LED light source.
 As Thorn Lyric Deco Wall.

Curving tubular floor standing fixture in satin opal glass with integrated LED light source and chrome plated metal details.
 As Thorn Lyric Deco Floor.



LAMPS

LED

12.4-18W

STANDARDS

CE IP20



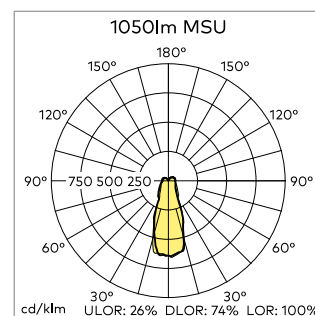
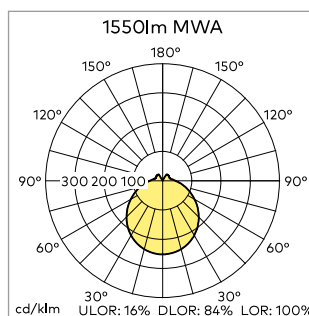
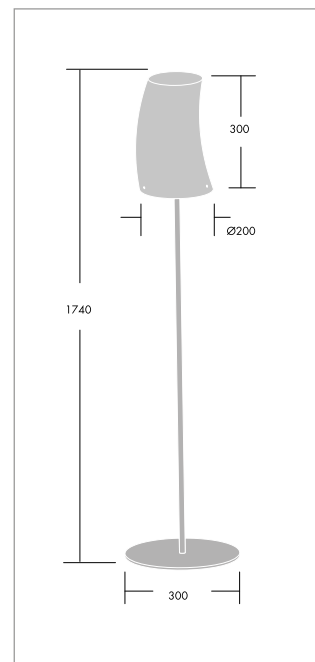
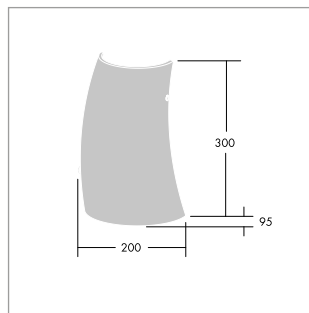
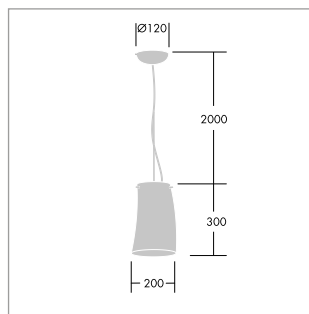
IK02

ORDERING GUIDE

Supplied complete with integrated LED.

| Description | Wt (kg) | SAP Code | Cat. No. |
|--|---------|----------|--------------|
| Lyric Deco | | | |
| LYRIC DECO LED1550-830 HF MWA-L OP | 1.40 | 96642772 | LYD1550Z3KWL |
| LYRIC DECO LED1550-830 HF MWA-R OP | 1.40 | 96642771 | LYD1550Z3KWR |
| LYRIC DECO LED1550-840 HF MWA-L OP | 1.40 | 96642768 | LYD1550Z4KWL |
| LYRIC DECO LED1550-840 HF MWA-R OP | 1.40 | 96642767 | LYD1550Z4KWR |
| Lyric Deco Wall mounted, dimmable | | | |
| LYRIC DECO LED1550-830 HFI-X MWA-L OP | 1.40 | 96642920 | LYD1550X3KWL |
| LYRIC DECO LED1550-830 HFI-X MWA-R OP | 1.40 | 96642919 | LYD1550X3KWR |
| LYRIC DECO LED1550-840 HFI-X MWA-L OP | 1.40 | 96642922 | LYD1550X4KWL |
| LYRIC DECO LED1550-840 HFI-X MWA-R OP | 1.40 | 96642921 | LYD1550X4KWR |
| Lyric Deco Pendant | | | |
| LYRIC DECO LED1050-830 HF MSU OP | 2.20 | 96642773 | LYD1050Z3KSU |
| LYRIC DECO LED1050-840 HF MSU OP | 2.20 | 96642769 | LYD1050Z4KSU |
| Lyric Deco Freestanding | | | |
| LYRIC DECO LED1050-830 HF MFS OP | 4.20 | 96642774 | LYD1050Z3KFS |
| LYRIC DECO LED1050-840 HF MFS OP | 4.20 | 96642770 | LYD1050Z4KFS |
| Lyric Deco Accessories | | | |
| LYRIC DECO SUSPENSION KIT - 2 | 0.37 | 96642777 | LYDSU2 |
| LYRIC DECO SUSPENSION KIT - 3 | 0.37 | 96642776 | LYDSU3 |
| LYRIC DECO SUSPENSION KIT - 4 | 0.37 | 96642775 | LYDSU4 |

To make reading our ordering guides easier please use the SAP description key fold out, inside the back cover. For more information please visit our website www.thornlighting.co.uk and simply search for our products.



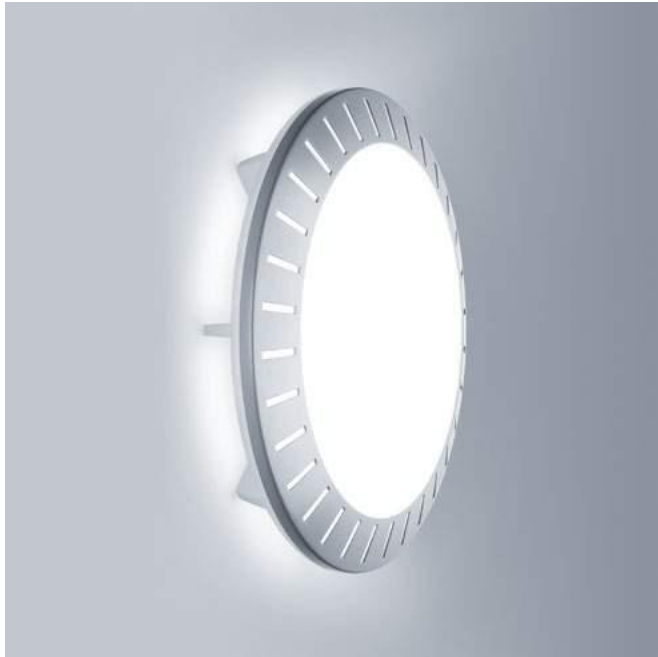
NEW

Lyric

LED



www.thornlighting.co.uk/LYRL
www.thornlighting.ie/LYRL



A range of decorative surface mounted luminaires featuring a unique 'starburst' base and a choice of bezels



LAMPS

LED LED 25W

STANDARDS

IP40 T_a25 850°C

- Unique aluminium 'starburst' base creates bursts of light on the mounting surface
- Interchangeable bezel attachments for choice of colour and design
- Aesthetic appeal both lit and unlit
- Simple twist and lock mechanism from diffuser to base for easy installation and maintenance
- Simply order the base and diffuser separately to make up a complete luminaire

MATERIALS/FINISH

Body: die-cast aluminium painted white (close to RAL9016)
Diffuser: textured opal polycarbonate
Bezel: spun aluminium painted white or silver

INSTALLATION/MOUNTING

Suitable for surface mounting on wall or ceiling for interior use. Simple installation with central BESA fixing and double cable entry holes to rear.

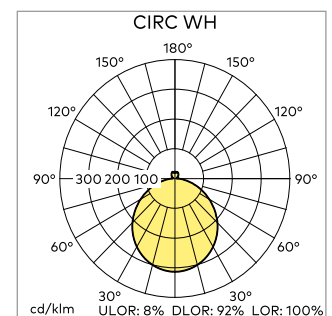
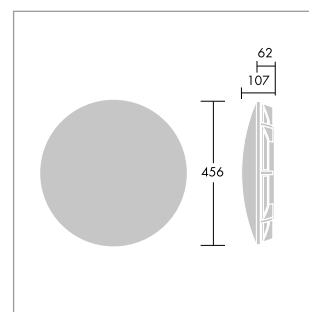
SPECIFICATION

To specify state:
Circular wall/ceiling luminaire with die-cast aluminium 'starburst' base, opal polycarbonate diffuser and solid/slotted bezel in silver/white. 2500 lumen output with fixed output or DALI dimmable control gear / integral manual or Self-Addressable test 3 hour emergency lighting options.
As Thorn Lyric LED

ORDERING GUIDE

| Description | Wt (kg) | SAP Code | Cat. No. |
|---|---------|----------|----------|
| Lyric LED, base | | | |
| LYRIC BASE LED 2500-840 HF WH | 2.40 | 96629592 | |
| Lyric LED, base, emergency | | | |
| LYRIC BASE LED 2500-840 HF E3 WH | 2.80 | 96629593 | |
| LYRIC BASE LED 2500-840 HF E3TX WH | 2.80 | 96629594 | |
| Lyric LED, base, dimmable | | | |
| LYRIC BASE LED 2500-840 HFI WH | 2.40 | 96629595 | |
| Lyric LED, base, dimmable, emergency | | | |
| LYRIC BASE LED 2500-840 HFI E3 WH | 2.80 | 96629596 | |
| LYRIC BASE LED 2500-840 HFI E3TX WH | 2.80 | 96629597 | |
| Lyric LED, diffusers | | | |
| LYRIC SHAPE CIRC SIL | 0.90 | 96004155 | LYRDL2S |
| LYRIC SHAPE CIRC SL SIL | 0.90 | 96004159 | LYRDL5S |
| LYRIC SHAPE CIRC SL WH | 0.90 | 96004158 | LYRDL5W |
| LYRIC SHAPE CIRC WH | 0.90 | 96004154 | LYRDL2W |

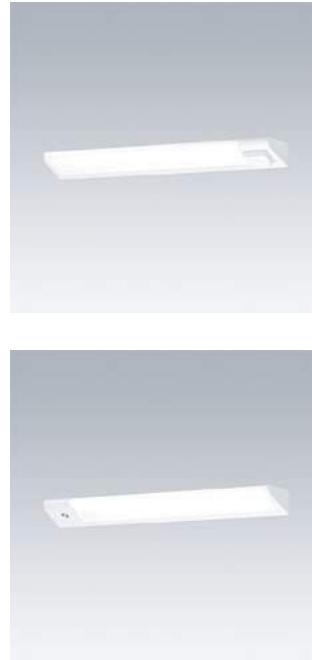
To make reading our ordering guides easier please use the SAP description key fold out, inside the back cover. For more information please visit our website www.thornlighting.co.uk and simply search for our products.





www.thornlighting.co.uk/CIMI
www.thornlighting.ie/CIMI

Slim and aesthetically pleasing bathroom luminaire developed to comply with today's contemporary demands on design and technology



LAMPS

T5 (FDH) G5 14-35W

STANDARDS

CE IP44 IK06 850°C

- Uniform, glare free illumination of the face, without disturbing reflections, when mounted above a mirror
- Installation is simplified with two screws and a choice of cable entry
- Over 46 lm/W efficacy 53/46/60/62/85

MATERIALS/FINISH

Body: extruded aluminium, white finish.
Diffuser: opal polycarbonate.
Endcaps: die-cast aluminium, white finish.

INSTALLATION/MOUNTING

Suitable for surface mounting. Two Ø19mm cable entries, offset in the back of the housing, Ø12mm knock out holes in endcaps as well as top edges of luminaire for surface installation. Piano key terminal block for 4x2x2.5mm².

SPECIFICATION

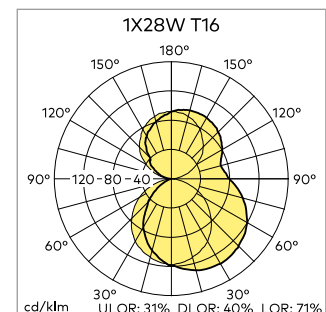
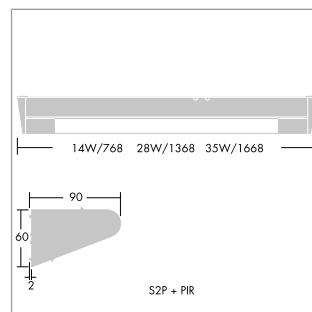
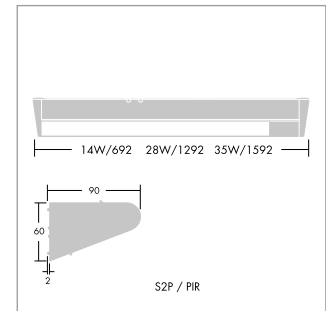
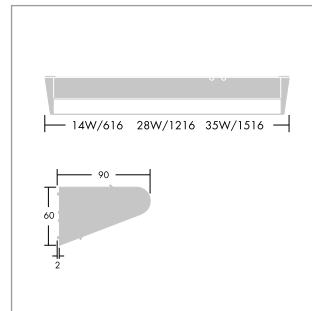
To specify state:
Slim bathroom luminaire for 14-35W T16 (T5) linear fluorescent lamps with glare free light distribution. As Thorn Cimi.

ORDERING GUIDE

Supplied complete with lamp

| Description | Wt (kg) | SAP Code | Cat. No. |
|-----------------------------|---------|----------|----------|
| HF versions | | | |
| CIMI 1X14W HF WHI L840 | 1.30 | 96547485 | CM114Z |
| CIMI 1X28W HF WHI L840 | 1.90 | 96547482 | CM128Z |
| CIMI 1X35W HF WHI L840 | 2.20 | 96547479 | CM135Z |
| HF PIR versions | | | |
| CIMI 1X14W HF SLDP WHI L840 | 1.30 | 96547486 | CM114ZS |
| CIMI 1X28W HF SLDP WHI L840 | 1.90 | 96547483 | CM128ZS |
| CIMI 1X35W HF SLDP WHI L840 | 2.20 | 96547480 | CM135ZS |

To make reading our ordering guides easier please use the SAP description key fold out, inside the back cover. For more information please visit our website www.thornlighting.co.uk and simply search for our products.





Indoor Lighting

SPOTLIGHTS



72
Tonic Spot



74
Tonic Gyro



75
Tonic Gimbal

NEW

Tonic

Spot



www.thornlighting.co.uk/TNCS
www.thornlighting.ie/TNCS



Cost effective CRI90 LED spotlight range with integrated multi-voltage driver for worldwide use



- The pure and simple shape of Tonic makes it suitable for use across global application types. Its design integrates with a wide range of environments and architectural styles
- LED spotlight family with global certifications (CE, UL, CCC, RCM, EAC) and a worldwide mains input voltage range of 100-240V
- GA69 certified 3 phase track connection
- The highly efficient optical system on the front also protects the LED light source and is easy to clean

MATERIALS/FINISH

Body: aluminium, microstructured white or black
 Driver box: PC, microstructured white or black

INSTALLATION/MOUNTING

Suitable for 3 phase tracks.
 Track mounting: mechanical and electrical track connection is made using the track adapter, which attaches quickly to the track. Stable clamping points with a simple clockwise turn of the fixing lever. Select the desired circuit (1, 2 or 3) using the selector on the top of the trackbox. Rotation 0° – 350°, tilt 0° – 90° Interchangeable lenses with click-in front ring fixation.

SPECIFICATION

To specify state:
 LED spotlight with colour rendering Ra >90 and integrated driver for use with 3-phase tracks (Thorn Supertrack2). Available in 3000K and 4000K with four different beam shapes. Chromaticity tolerance (MacAdam ellipse): 3. Lifetime performance: 50000 h L70; world wide mains input voltage range 100-240V at 50/60Hz; anti-glare ring in housing color; highly efficient and iridescence-free faceted lenses; lenses designed to be interchangeable.
 As Thorn Tonic Spot.

ORDERING GUIDE

| Description | Wt (kg) | SAP Code |
|-----------------------------------|---------|----------|
| Tonic Spot White, 2800lm | | |
| TONIC SPOT LED2800-940 MT3 FL WH | 1.30 | 96665991 |
| TONIC SPOT LED2800-940 MT3 SP WH | 1.30 | 96665990 |
| TONIC SPOT LED2800-940 MT3 VFL WH | 1.30 | 96665993 |
| TONIC SPOT LED2800-940 MT3 WFL WH | 1.30 | 96665992 |
| TONIC SPOT LED2800-930 MT3 FL WH | 1.30 | 96665987 |
| TONIC SPOT LED2800-930 MT3 SP WH | 1.30 | 96665986 |
| TONIC SPOT LED2800-930 MT3 VFL WH | 1.30 | 96665989 |
| TONIC SPOT LED2800-930 MT3 WFL WH | 1.30 | 96665988 |
| Tonic Spot White, 1800lm | | |
| TONIC SPOT LED1800-940 MT3 FL WH | 1.30 | 96665967 |
| TONIC SPOT LED1800-940 MT3 SP WH | 1.30 | 96665966 |
| TONIC SPOT LED1800-940 MT3 VFL WH | 1.30 | 96665969 |
| TONIC SPOT LED1800-940 MT3 WFL WH | 1.30 | 96665968 |
| TONIC SPOT LED1800-930 MT3 FL WH | 1.30 | 96665963 |
| TONIC SPOT LED1800-930 MT3 SP WH | 1.30 | 96665962 |
| TONIC SPOT LED1800-930 MT3 VFL WH | 1.30 | 96665965 |
| TONIC SPOT LED1800-930 MT3 WFL WH | 1.30 | 96665964 |
| Tonic Spot Black, 2800lm | | |
| TONIC SPOT LED2800-940 MT3 FL BK | 1.30 | 96665999 |
| TONIC SPOT LED2800-940 MT3 SP BK | 1.30 | 96665998 |
| TONIC SPOT LED2800-940 MT3 VFL BK | 1.30 | 96666001 |
| TONIC SPOT LED2800-940 MT3 WFL BK | 1.30 | 96666000 |
| TONIC SPOT LED2800-930 MT3 FL BK | 1.30 | 96665995 |
| TONIC SPOT LED2800-930 MT3 SP BK | 1.30 | 96665994 |
| TONIC SPOT LED2800-930 MT3 VFL BK | 1.30 | 96665997 |
| TONIC SPOT LED2800-930 MT3 WFL BK | 1.30 | 96665996 |



LAMPS

LED

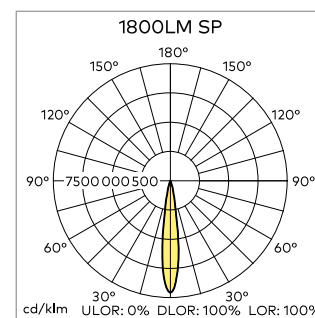
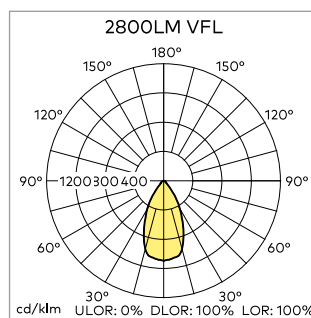
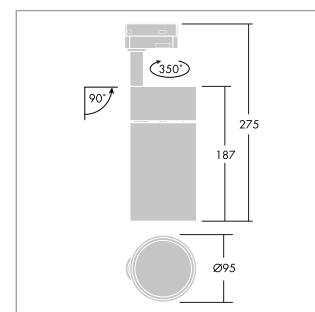
19.3-30.7W

STANDARDS

CE IP20 T_a25

| Description | Wt (kg) | SAP Code |
|-----------------------------------|---------|----------|
| Tonic Spot Black, 1800lm | | |
| TONIC SPOT LED1800-940 MT3 FL BK | 1.30 | 96665975 |
| TONIC SPOT LED1800-940 MT3 SP BK | 1.30 | 96665974 |
| TONIC SPOT LED1800-940 MT3 VFL BK | 1.30 | 96665977 |
| TONIC SPOT LED1800-940 MT3 WFL BK | 1.30 | 96665976 |
| TONIC SPOT LED1800-930 MT3 FL BK | 1.30 | 96665971 |
| TONIC SPOT LED1800-930 MT3 SP BK | 1.30 | 96665970 |
| TONIC SPOT LED1800-930 MT3 VFL BK | 1.30 | 96665973 |
| TONIC SPOT LED1800-930 MT3 WFL BK | 1.30 | 96665972 |
| Tonic Spot Attachments | | |
| TONIC ANTI-GLARE TUBE (5PCS) | 0.10 | 96628584 |
| TONIC BARNDOOR (5PCS) | 0.75 | 96666010 |
| TONIC CROSSLOUVRE (5 PCS) | 0.10 | 96666011 |
| TONIC FRONTRING BK (5 PCS) | 0.50 | 96628589 |
| TONIC HONEYCOMB (5 PCS) | 0.10 | 96666012 |
| TONIC LENS FL (5 PCS) | 0.50 | 96628586 |
| TONIC LENS SP (5PCS) | 0.50 | 96628585 |
| TONIC LENS VFL (5 PCS) | 0.50 | 96628588 |
| TONIC LENS WFL (5 PCS) | 0.50 | 96628587 |
| Tonic Spot Accessory | | |
| TONIC FRONTRING TOOL | 0.11 | 96628590 |

To make reading our ordering guides easier please use the SAP description key fold out, inside the back cover. For more information please visit our website www.thornlighting.co.uk and simply search for our products.



NEW

Tonic

Gyro and Gimbal



www.thornlighting.co.uk/TNCG
www.thornlighting.co.uk/TNCC

www.thornlighting.ie/TNCG
www.thornlighting.ie/TNCC



Tonic Gyro

- Tonic Gyro - A spotlight for recessed installation with pull out function for a well structured ceiling installation, that features a wide range of environments
- Tonic Gimbal - A spotlight for recessed installation to achieve an attractive clean ceiling structure, that features all environments and integrates well with a wide range of architectural styles
- The highly efficient optical system on the front also protects the LED light source and allows easy cleaning LED spotlight family with global certification (CE, UL, CCC, RCM, EAC) and world-wide availability
- The range is easy to understand and specify with clear product options

MATERIAL/FINISH

Spot head / installation frame / installation flags: aluminium.
Lens / spot housing / front ring: polycarbonate

INSTALLATION/MOUNTING

Secure installation with "flag" mechanism. Twist and lock fixing for light heads into installation frame (Tonic Gimbal only).

Cost effective CRI90 LED recessed spotlight/pull out spotlight range

**ORDERING GUIDE**

| Description | Wt (kg) | SAP Code |
|----------------------------------|---------|----------|
| Tonic Gyro White, 2800lm | | |
| TONIC GYRO1 LED2800-930 HF FL WH | 1.8 | 96629330 |
| TONIC GYRO1 LED2800-940 HF FL WH | 1.8 | 96629332 |
| TONIC GYRO2 LED2800-930 HF FL WH | 3.4 | 96629334 |
| TONIC GYRO2 LED2800-940 HF FL WH | 3.4 | 96629336 |
| TONIC GYRO3 LED2800-930 HF FL WH | 4.8 | 96629338 |
| TONIC GYRO3 LED2800-940 HF FL WH | 4.8 | 96629340 |
| Tonic Gyro White, 1800lm | | |
| TONIC GYRO1 LED1800-930 HF FL WH | 1.8 | 96629318 |
| TONIC GYRO1 LED1800-940 HF FL WH | 1.8 | 96629320 |
| TONIC GYRO2 LED1800-930 HF FL WH | 3.4 | 96629322 |
| TONIC GYRO2 LED1800-940 HF FL WH | 3.4 | 96629324 |
| TONIC GYRO3 LED1800-930 HF FL WH | 4.8 | 96629326 |
| TONIC GYRO3 LED1800-940 HF FL WH | 4.8 | 96629328 |
| Tonic Gyro Black, 2800lm | | |
| TONIC GYRO1 LED2800-930 HF FL BK | 1.8 | 96629331 |
| TONIC GYRO1 LED2800-940 HF FL BK | 1.8 | 96629333 |
| TONIC GYRO2 LED2800-930 HF FL BK | 3.4 | 96629335 |
| TONIC GYRO2 LED2800-940 HF FL BK | 3.4 | 96629337 |
| TONIC GYRO3 LED2800-930 HF FL BK | 4.8 | 96629339 |
| TONIC GYRO3 LED2800-940 HF FL BK | 4.8 | 96629341 |
| Tonic Gyro Black, 1800lm | | |
| TONIC GYRO1 LED1800-930 HF FL BK | 1.8 | 96629319 |
| TONIC GYRO1 LED1800-940 HF FL BK | 1.8 | 96629321 |
| TONIC GYRO2 LED1800-930 HF FL BK | 3.4 | 96629323 |
| TONIC GYRO2 LED1800-940 HF FL BK | 3.4 | 96629325 |
| TONIC GYRO3 LED1800-930 HF FL BK | 4.8 | 96629327 |
| TONIC GYRO3 LED1800-940 HF FL BK | 4.8 | 96629329 |



Tonic Gimbal



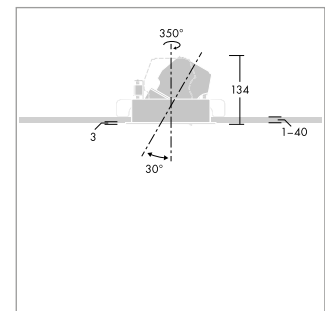
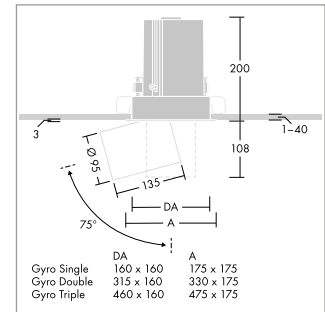
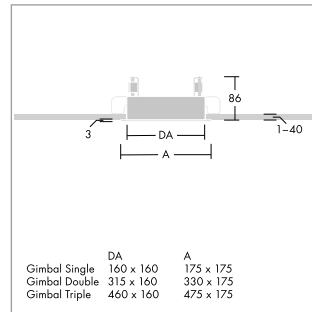
LAMPS

 LED >90lm/W

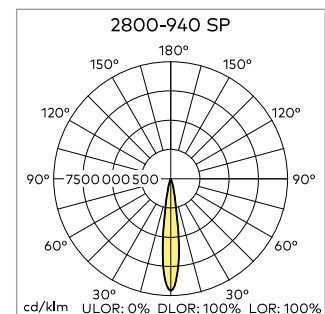
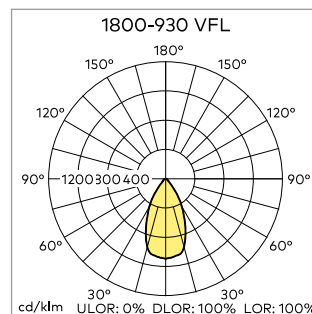
STANDARDS

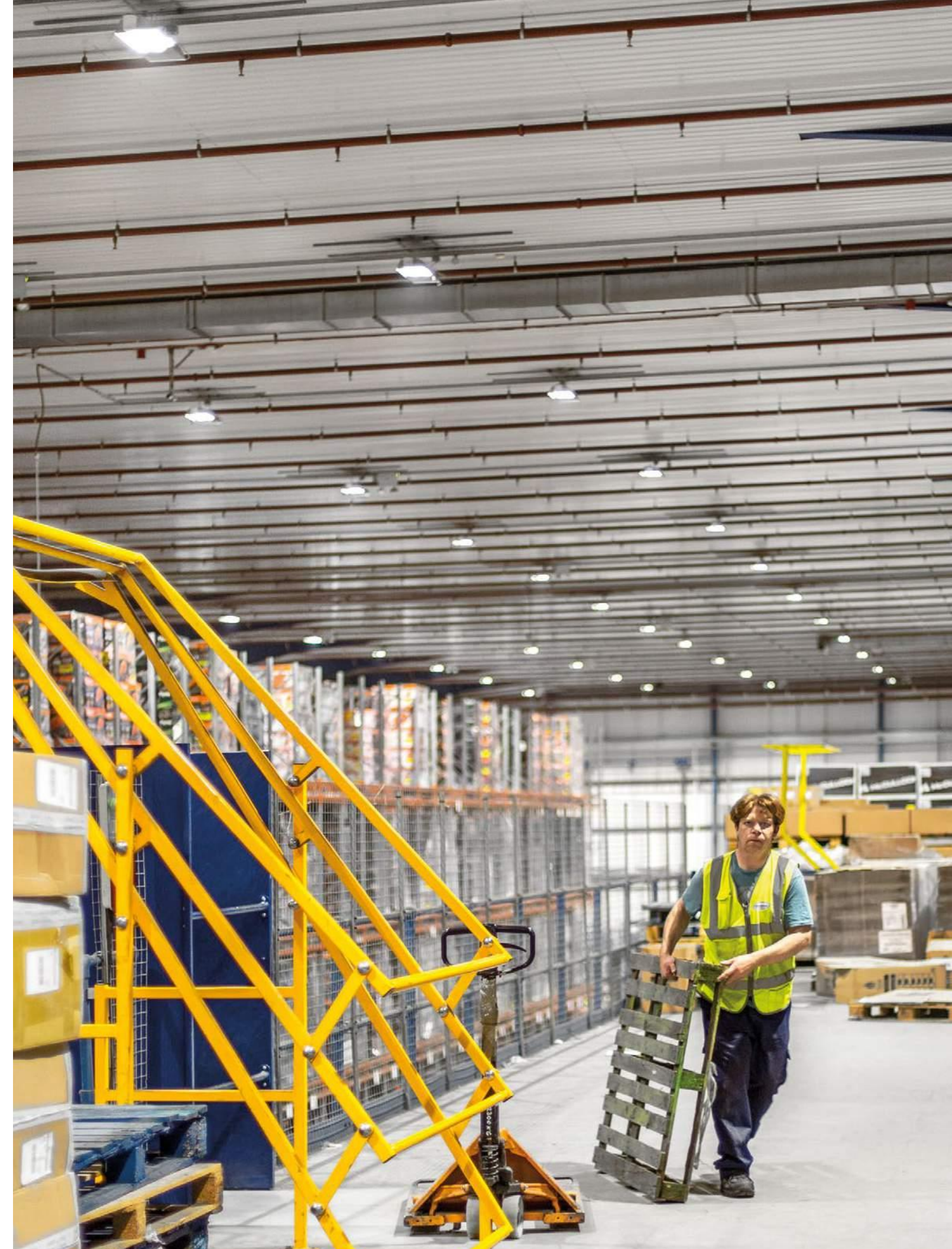
 IP20  

| Description | Wt (kg) | SAP Code |
|--|---------|----------|
| Tonic Gimbal Light head, 2800lm | | |
| TONIC GIMBAL LED2800-930 HF FL | 1.0 | 96629351 |
| TONIC GIMBAL LED2800-930 HF SP | 1.0 | 96629350 |
| TONIC GIMBAL LED2800-930 HF VFL | 1.0 | 96629353 |
| TONIC GIMBAL LED2800-930 HF WFL | 1.0 | 96629352 |
| TONIC GIMBAL LED2800-940 HF FL | 1.0 | 96629355 |
| TONIC GIMBAL LED2800-940 HF SP | 1.0 | 96629354 |
| TONIC GIMBAL LED2800-940 HF VFL | 1.0 | 96629357 |
| TONIC GIMBAL LED2800-940 HF WFL | 1.0 | 96629356 |
| Tonic Gimbal Light head, 1800lm | | |
| TONIC GIMBAL LED1800-930 HF FL | 1.0 | 96629343 |
| TONIC GIMBAL LED1800-930 HF SP | 1.0 | 96629342 |
| TONIC GIMBAL LED1800-930 HF VFL | 1.0 | 96629345 |
| TONIC GIMBAL LED1800-930 HF WFL | 1.0 | 96629344 |
| TONIC GIMBAL LED1800-940 HF FL | 1.0 | 96629347 |
| TONIC GIMBAL LED1800-940 HF SP | 1.0 | 96629346 |
| TONIC GIMBAL LED1800-940 HF VFL | 1.0 | 96629349 |
| TONIC GIMBAL LED1800-940 HF WFL | 1.0 | 96629348 |
| Tonic Gimbal White frame | | |
| TONIC GIMBAL FRAME DOUBLE WH | 1 | 96629360 |
| TONIC GIMBAL FRAME SINGLE WH | 0.6 | 96629358 |
| TONIC GIMBAL FRAME TRIPLE WH | 1.5 | 96629362 |
| Tonic Gimbal Black frame | | |
| TONIC GIMBAL FRAME DOUBLE BK | 1 | 96629361 |
| TONIC GIMBAL FRAME SINGLE BK | 0.6 | 96629359 |
| TONIC GIMBAL FRAME TRIPLE BK | 1.5 | 96629363 |



Tonic Gimbal is configured by ordering the SINGLE/DOUBLE/TRIPLE frame first, and then the corresponding number of light heads required (light heads include driver)
 To make reading our ordering guides easier please use the SAP description key fold out, inside the back cover. For more information please visit our website www.thornlighting.com and simply search for our products.





Indoor Lighting

INDUSTRIAL LUMINAIRES



78
FlexPak



80
HiPak



82
ForceLED



84
ForceLED Pro



85
CorrosionForce II
LED



86
AquaForce II
LED



88
Duoproof

NEW

FlexPak

Smart High Bay Lighting



www.thornlighting.co.uk/FPAK
www.thornlighting.ie/FPAK



LAMPS

 LED 59.4-235.5W

NORMEN

 IP65  T_{a-35}^{+50}  

- Direct one-for-one replacement of HID high bays, with up to 55% energy saving
- Plug and play connection for rapid installation
- Innovative radio frequency controls system integrated as standard and future proof for wireless smart lighting
- Very wide temperature range from -35°C up to +50°C

MATERIALS/FINISH

Housing: die cast aluminium (RAL 9006), polycarbonate
 Lens: polycarbonate
 Luminaire is silicon free

INSTALLATION/MOUNTING

All luminaires are suitable for single point suspension. Chain suspension clip to be ordered separately (96628823). Alternatively a cord suspension is available in 1m length (96628824), 2m length (96628825) and 5m length (96628826). For ceiling mounting stirrups are available including tilt adjustment. For S-size (96628820), for M/L-size (96628822).

SPECIFICATION

To specify state:
 An IP65 single point suspension LED high bay luminaire with plug and play connection for rapid installation. Available in 8000lm, 13000lm, 17000lm, 23000lm & 31000lm all with constant lumen output feature, with a choice of wide beam and very wide beam optic. As standard available with innovative radio frequency node to connect with remote IP65 sensors. Furthermore unique lighting experience with lit ring of light.
 As Thorn FlexPak

ORDERING GUIDE

| Description | Wt (kg) | SAP Code |
|---------------------------------------|---------|----------|
| FlexPak Small | | |
| FLEXPAK S LED8000-840 HF CLO RFH VWB | 8.30 | 96628795 |
| FLEXPAK S LED8000-840 HF CLO RFH WB | 8.30 | 96628794 |
| FLEXPAK S LED8000-840 HFIX CLO VWB | 8.30 | 96628797 |
| FLEXPAK S LED8000-840 HFIX CLO WB | 8.30 | 96628796 |
| FLEXPAK S LED13000-840 HF CLO RFH VWB | 8.30 | 96628799 |
| FLEXPAK S LED13000-840 HF CLO RFH WB | 8.30 | 96628798 |
| FLEXPAK S LED13000-840 HFIX CLO VWB | 8.30 | 96628801 |
| FLEXPAK S LED13000-840 HFIX CLO WB | 8.30 | 96628800 |
| FlexPak Medium | | |
| FLEXPAK M LED17000-840 HF CLO RFH VWB | 9.10 | 96628803 |
| FLEXPAK M LED17000-840 HF CLO RFH WB | 9.10 | 96628802 |
| FLEXPAK M LED17000-840 HFIX CLO VWB | 9.10 | 96628805 |
| FLEXPAK M LED17000-840 HFIX CLO WB | 9.10 | 96628804 |
| FLEXPAK M LED23000-840 HF CLO RFH VWB | 9.60 | 96628807 |
| FLEXPAK M LED23000-840 HF CLO RFH WB | 9.60 | 96628806 |
| FLEXPAK M LED23000-840 HFIX CLO VWB | 9.60 | 96628809 |
| FLEXPAK M LED23000-840 HFIX CLO WB | 9.60 | 96628808 |
| FlexPak Large | | |
| FLEXPAK L LED31500-840 HF CLO RFH VWB | 11.80 | 96628811 |
| FLEXPAK L LED31500-840 HF CLO RFH WB | 11.80 | 96628810 |
| FLEXPAK L LED31500-840 HFIX CLO VWB | 11.80 | 96628813 |
| FLEXPAK L LED31500-840 HFIX CLO WB | 11.80 | 96628812 |
| FlexPak Attachments | | |
| FLEXPAK COVER KIT REFRACTOR L (SPC) | | 96628819 |
| FLEXPAK COVER KIT REFRACTOR M (SPC) | | 96628818 |
| FLEXPAK COVER KIT REFRACTOR S (SPC) | | 96628817 |
| FlexPak Accessories | | |
| FLEXPAK CHAIN SUSPENSION | | 96628823 |
| FLEXPAK CORD SUSPENSION 1000MM | | 96628824 |
| FLEXPAK CORD SUSPENSION 2000MM | | 96628825 |
| FLEXPAK CORD SUSPENSION 5000MM | | 96628826 |
| FLEXPAK STIRRUP M/L (6PCS.) | | 96628822 |
| FLEXPAK STIRRUP S (6PCS.) | | 96628820 |
| HIGHBAY BATTERY PACK E3R | | 96628814 |
| HIGHBAY BATTERY PACK E3TXR | | 96628821 |
| HIGHBAY SENSOR 12M RFH IP65 | | 96628815 |
| REMOTE CONTROL RFH | | 96628816 |

To make reading our ordering guides easier please use the SAP description key fold out, inside the back cover. For more information please visit our website www.thornlighting.co.uk and simply search for our products.

Accessories



Chain



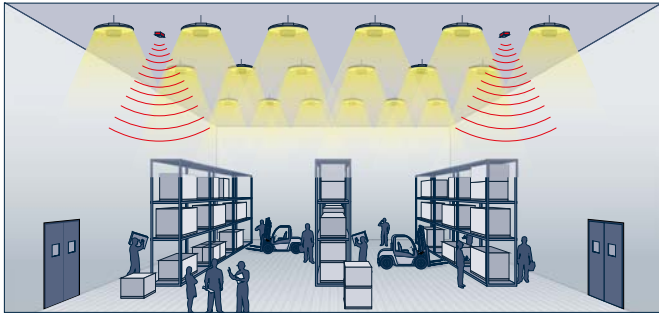
Chain suspension



Cord suspension with 1, 2 or 5m wire

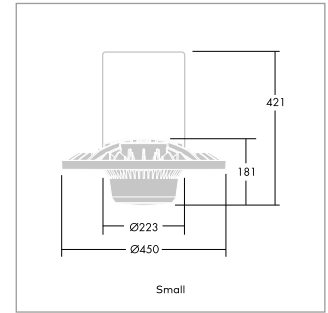


Also available: Stirrup - surface installation



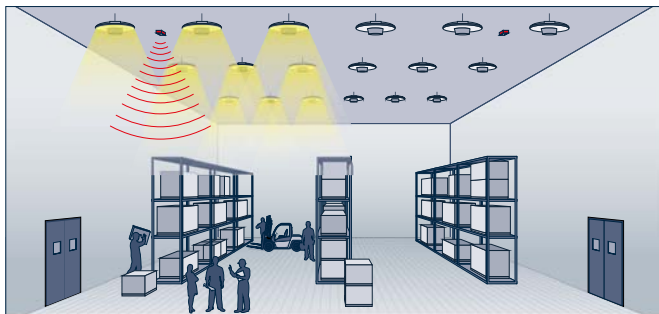
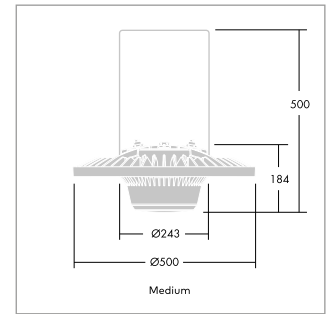
TRADITIONAL HIE LUMINAIRES

All on 100%. Not dimmable.
No sensor



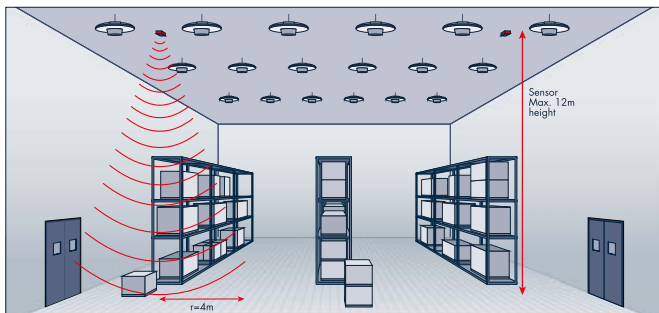
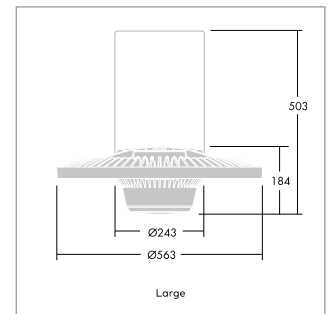
FLEXPAK SOLUTIONS

Can directly replace existing HID luminaires. The sensors are wireless and can be placed at room entry points/where needed. Presence detection with delay time setting saves energy by switching lights off when the room/space is unoccupied. Daylight threshold saves energy by ensuring the lights are never on when natural light exceeds the set value.



GROUP LUMINAIRES

Group according to the room/space use. Luminaires can be connected with up to 15 sensors to optimise detection and maximise energy savings. Correctly positioned presence detectors switch off luminaires when no occupation is registered.

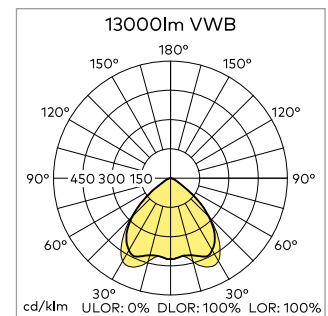
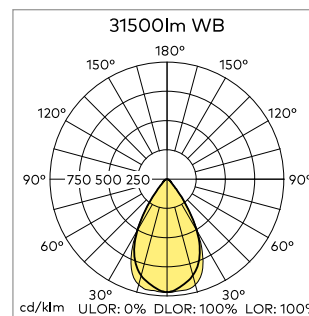


REMOTE SENSOR

Sensors can be distributed freely in the room. Max detection height is 12m. Max radio range is 30m radius. Max detection pattern is 5m radius.

FlexPak LED Vs traditional lamps

| Traditional HIE/ HSE Lamp | FlexPak S | | FlexPak M | | FlexPak L |
|---------------------------|-----------|------------|------------|------------|------------|
| with CLO | 8000 lm | 13000 lm | 17000 lm | 23000 lm | 31500 lm |
| without CLO | (8000 lm) | (15000 lm) | (20000 lm) | (25000 lm) | (37000 lm) |
| 100 - 150 W HIE | | | | | |
| 250 W HIE | | | | | |
| 400 W HIE | | | | | |
| 400 W HSE | | | | | |
| 1000 W HIE | | | | | |





www.thornlighting.co.uk/HIPK
www.thornlighting.ie/HIPK



- Direct replacement of HID high bays 85W/125W/150W/200W, with up to 40% energy saving
- Plug and play connection for rapid installation
- Cooling fin housing design allows air to flow through the luminaire and prevents overheating of components
- Precise lens technology provides light exactly where it is needed, reducing wasted light and maximising energy savings

MATERIALS/FINISH

Housing: Die cast aluminium (RAL 9006)
Lens/Diffuser: Polycarbonate
Luminaire is silicon free

INSTALLATION/MOUNTING

All luminaires are suitable for single point suspension. All wide optic luminaires are supplied with a mounting hook as standard (chain to be ordered separately: 96502605). For rack optic luminaires it is recommended to use the fixed rod suspension or surface wall mounting accessory (ordered separately)

Mounting accessories to be ordered separately:
stirrup for wall mounting (96642765/96642914), rod suspension for pendant mounting (96642766), wire suspension (96502609) and catenary suspension (96502610). All luminaires are supplied pre-wired with a quick connector plug

SPECIFICATION

To specify state:
An IP65 single point suspension LED high bay luminaire with plug and play connection for rapid installation. Available in 10000lm, 15000lm, 20000lm and 25000lm, with a choice of rack or wide beam optic. Fixed output (HF) and DALI available as standard.
As Thorn HiPak.



LAMPS

LED

84.7-240W

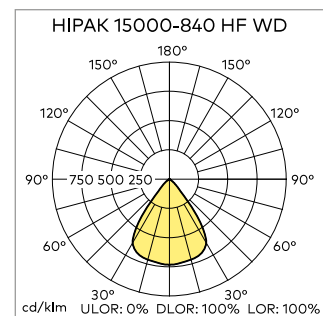
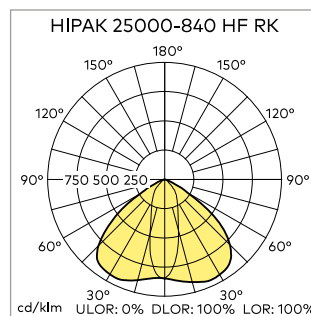
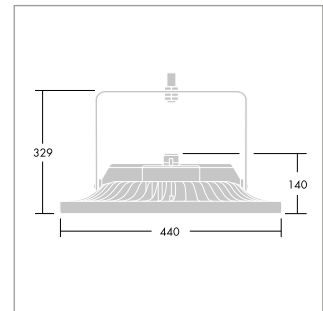
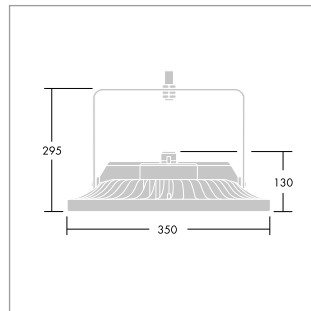
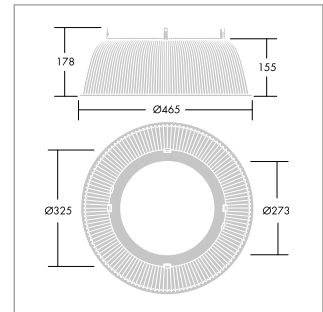
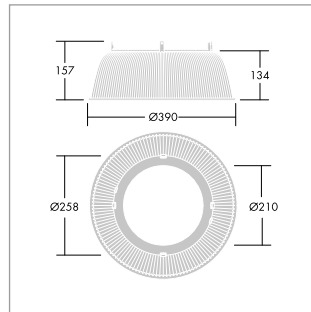
NORMEN

ORDERING GUIDE

Complete with LED's

| Description | Wt (kg) | SAP Code | Cat. No. |
|--|---------|----------|------------|
| HiPak Wide optic | | | |
| HIPAK LED10000-840 HF WD GEN2 | 5.30 | 96665367 | HK10000ZWD |
| HIPAK LED15000-840 HF WD GEN2 | 5.40 | 96665369 | HK15000ZWD |
| HIPAK LED20000-840 HF WD GEN2 | 7.20 | 96665373 | HK20000ZWD |
| HIPAK LED25000-840 HF WD GEN2 | 7.40 | 96665377 | HK25000ZWD |
| HiPak Wide optic, dimmable | | | |
| HIPAK LED10000-840 HFI-X WD GEN2 | 5.30 | 96665368 | HK10000YWD |
| HIPAK LED15000-840 HFI-X WD GEN2 | 5.40 | 96665370 | HK15000YWD |
| HIPAK LED20000-840 HFI-X WD GEN2 | 7.20 | 96665374 | HK20000YWD |
| HIPAK LED25000-840 HFI-X WD GEN2 | 7.40 | 96665378 | HK25000YWD |
| HiPak Rack optic | | | |
| HIPAK LED15000-840 HF RK GEN2 | 5.40 | 96665371 | HK15000ZRK |
| HIPAK LED20000-840 HF RK GEN2 | 7.20 | 96665375 | HK20000ZRK |
| HIPAK LED25000-840 HF RK GEN2 | 7.40 | 96665379 | HK25000ZRK |
| HiPak Rack optic, dimmable | | | |
| HIPAK LED15000-840 HFI-X RK GEN2 | 5.40 | 96665372 | HK15000YRK |
| HIPAK LED20000-840 HFI-X RK GEN2 | 7.20 | 96665376 | HK20000YRK |
| HIPAK LED25000-840 HFI-X RK GEN2 | 7.40 | 96665380 | HK25000YRK |
| HiPak accessories | | | |
| HIBAY CONNECTOR 3M + FEM PLUG (10PCS) G2 | 3.20 | 96628869 | |
| HIPAK FEMALE CONNECTOR SPARE (10 PCS) G2 | 0.39 | 59009133 | |
| HIPAK KIT COVER PR L (6 PCS) | 6.12 | 96665383 | HKPRCOV2 |
| HIPAK KIT COVER PR S (6 PCS) | 4.02 | 96665382 | HKPRCOV1 |
| HIPAK ROD 1,0M + CEILING ROSE (6PCS.) | 0.40 | 96642766 | HKRS |
| HIPAK STIRRUP LMCE/MWA (6PCS.) | 0.40 | 96642914 | HKBRA2 |
| HIPAK STIRRUP S MCE/MWA (6PCS.) | 0.40 | 96642765 | HKBRA |
| PR2/HIPAK MSW1 1000 | 0.02 | 96502607 | |
| PR2/HIPAK MSW1 2000 | 0.06 | 96502608 | |
| PR2/HIPAK MSW1 5000 | 0.03 | 96502609 | |

To make reading our ordering guides easier please use the SAP description key fold out, inside the back cover. For more information please visit our website www.thornlighting.co.uk and simply search for our products.





www.thornlighting.co.uk/FORL
www.thornlighting.ie/FORL



- Highly efficient LEDs (~120lm/W) reduce energy consumption and costs. Further savings arise from longer maintenance lifecycle.
- Integrated, presence-based dimming controls for further energy savings
- IP66 rated waterproof seal
- Robust, fully recyclable aluminium bodies
- OTHER OPTIONS ARE AVAILABLE (Dimming, Emergency...). See myProduct for configuration options

MATERIALS/FINISH

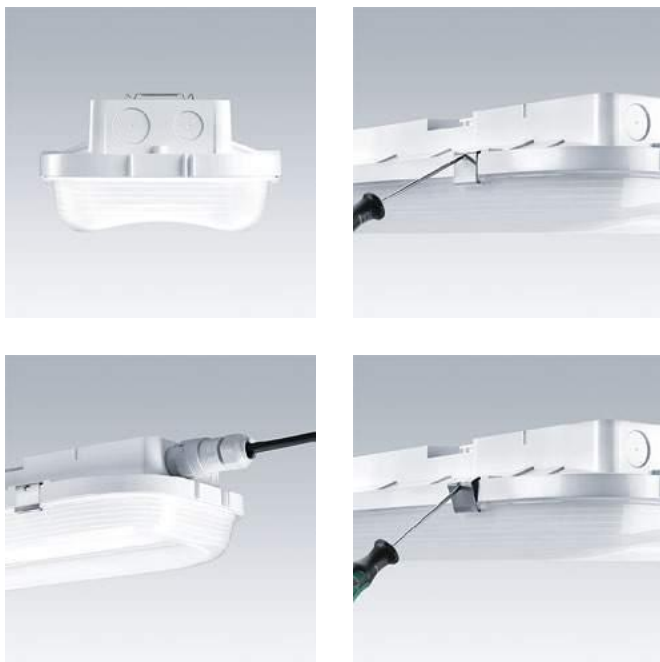
Canopy: aluminium
Diffuser: polycarbonate with linear prisms
Gasket: silicone sponge
Toggles: stainless steel
Quick fix bracket: stainless steel

INSTALLATION/MOUNTING

For surface, suspended and BESA mounting. Quick-fix installation brackets are supplied with each luminaire for surface mounting and optional accessory kits are available to assist with other mounting options.

SPECIFICATION

To specify state:
Compact high performance LED IP66, dust and moisture proof luminaire with fully recyclable aluminium body, polycarbonate diffusers and stainless steel toggles, LED light engine offering 4150 and 6150lm, Ra80, 4000K, long service life of 50000 hours.
As Thorn ForceLED.



LAMPS

LED

34-53W

STANDARDS

CE IP66 IK08 T_a 0 +25 T_a 0 +35 T_a -20 +35

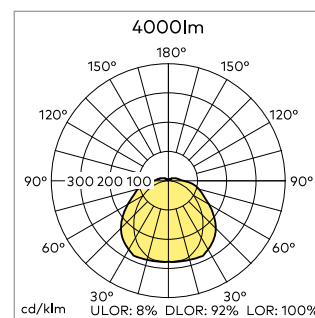
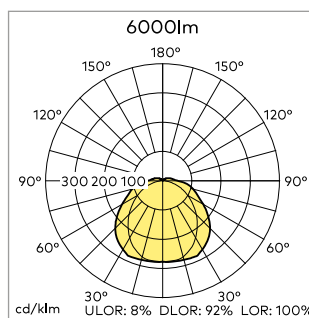
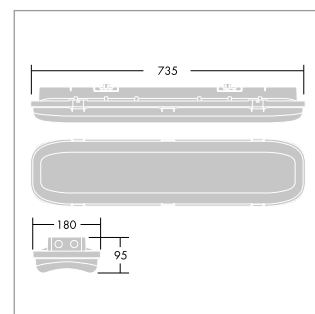
T_a -20 +50 850 °C

ORDERING GUIDE

Supplied complete with LEDs and quick-fix brackets

| Description | Wt (kg) | SAP Code | Cat. No. |
|--------------------------|---------|----------|----------|
| ForceLED | | | |
| FORCELED 4000 HF L840 | 2.61 | 96617235 | FL4000Z |
| FORCELED 4000 HF HT L840 | 2.65 | 96242063 | FL4000ZH |
| FORCELED 6000 HF L840 | 2.65 | 96242061 | FL6000Z |

To make reading our ordering guides easier please use the SAP description key fold out, inside the back cover. For more information please visit our website www.thornlighting.co.uk and simply search for our products.



ForceLED

Pro



www.thornlighting.co.uk/FORP
www.thornlighting.ie/FORP



- Robust die-cast aluminium construction and impact resistant up to 80 joules to withstand the harshest environments
- Unique Safe-T locking system for easy installation, maintenance and to aid vandal resilience
- Dust and water resistant with rear gaskets and side/rear (inverted) glands allowing ingress protection to be maintained at IP66 after installation
- Highly efficient LED light engine offers an energy saving alternative to fluorescents
- BESA box compatibility

MATERIALS/FINISH

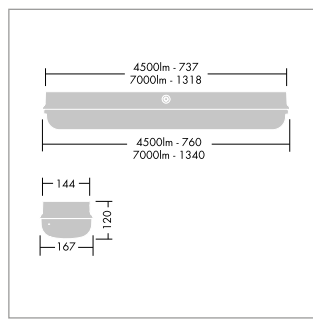
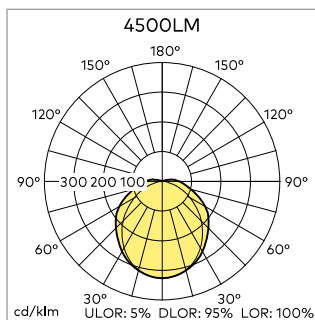
Body: die-cast aluminium, powder coated dark grey
 Diffuser: polycarbonate.
 Safe-T Locking System (SLS): thermoplastic alloy of polycarbonate and acrylonitrile butadiene styrene (ABS).
 Gasket: liquid poured polyurethane.

INSTALLATION/MOUNTING

Suitable for: direct surface mounting with Quick-fix brackets or concealed Secure bracket.

SPECIFICATION

To specify state:
 Vandal resistant dust and waterproof LED luminaire. 4 500lm to 7 000lm, IP66, 4 x IK10, 3000/4000K, with unique safe-T locking system.
 As Thorn ForceLED Pro.



Vandal resistant dust and waterproof LED luminaire

LAMPS

LED 26-51W

STANDARDS

IP66 IK10 T_{a-20}^{+35}

ORDERING GUIDE

| Description | Wt (kg) | SAP Code | Cat. No. |
|-----------------------------------|---------|----------|--------------|
| ForceLED Pro | | | |
| FORCELED PRO 3000-840 COR | 4.00 | 96628261 | FLP4500C4K |
| FORCELED PRO 3000-840 COR MWS | 4.00 | 96628265 | FLP4500CM4K |
| FORCELED PRO 3000-840 COR MWS RF | 4.00 | 96628266 | FLP4500CMW4K |
| FORCELED PRO 3000-840 COR RF | 4.00 | 96628264 | FLP4500CW4K |
| FORCELED PRO 3000-840 HF | 4.00 | 96628255 | FLP4500Z4K |
| FORCELED PRO 3000-840 HF MWS | 4.00 | 96628259 | FLP4500ZM4K |
| FORCELED PRO 3000-840 HF MWS RF | 4.00 | 96628260 | FLP4500ZMW4K |
| FORCELED PRO 3000-840 HF RF | 4.00 | 96628258 | FLP4500ZW4K |
| FORCELED PRO 3000-840 HF TW | 4.00 | 96628256 | FLP4500ZTW4K |
| FORCELED PRO 3000-840 HFI | 4.00 | 96628062 | FLP4500D4K |
| FORCELED PRO 3000-840 HFI TW | 4.00 | 96628262 | FLP4500DTW4K |
| FORCELED PRO 3000-830 HFI | 4.00 | 96628064 | FLP4500D3K |
| FORCELED PRO 6000-840 COR | 8.50 | 96628273 | FLP7000C4K |
| FORCELED PRO 6000-840 COR MWS | 8.50 | 96628277 | FLP7000CM4K |
| FORCELED PRO 6000-840 COR MWS RF | 8.50 | 96628278 | FLP7000CMW4K |
| FORCELED PRO 6000-840 COR RF | 8.50 | 96628276 | FLP7000CW4K |
| FORCELED PRO 6000-840 HF | 8.50 | 96628267 | FLP7000Z4K |
| FORCELED PRO 6000-840 HF E3 | 8.50 | 96628269 | FLP7000ZE4K |
| FORCELED PRO 6000-840 HF MWS | 8.50 | 96628271 | FLP7000ZM4K |
| FORCELED PRO 6000-840 HF MWS RF | 8.50 | 96628272 | FLP7000ZMW4K |
| FORCELED PRO 6000-840 HF RF | 8.50 | 96628270 | FLP7000ZW4K |
| FORCELED PRO 6000-840 HF TW | 8.50 | 96628268 | FLP7000ZTW4K |
| FORCELED PRO 6000-840 HFI | 8.50 | 96628063 | FLP7000D4K |
| FORCELED PRO 6000-840 HFI E3 | 8.50 | 96628275 | FLP7000DE4K |
| FORCELED PRO 6000-840 HFI TW | 8.50 | 96628274 | FLP7000DTW4K |
| FORCELED PRO 6000-830 HFI | 8.50 | 96628065 | FLP7000D3K |
| ForceLED Pro Accessories | | | |
| FORCELED PRO QUICKFIX BRACKET KIT | 0.15 | 96628089 | FLPQBKIT |
| FORCELED PRO SECURE BRACKET KIT | 2.60 | 96628090 | FLPGBKIT |
| FORCELED PRO SECURITY ALLEN KEY | 0.18 | 96628088 | FLPSAKEY |

To make reading our ordering guides easier please use the SAP description key fold out, inside the back cover. For more information please visit our website www.thornlighting.co.uk and simply search for our products.

CorrosionForce II

LED



www.thornlighting.co.uk/**CORR**
www.thornlighting.ie/**CORR**



- Good resistance to chemicals and corrosion (polycarbonate free)
- Unique shape and flush toggle design promotes easy cleaning
- For quick and easy maintenance, gear tray simply hangs from internal clips

MATERIALS/FINISH

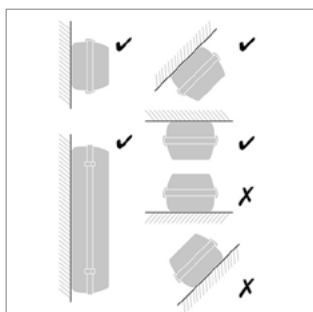
Canopy: glass-fibre reinforced polyester
Diffuser: PMMA with linear prisms
Gasket: expanded polyurethane
Toggles: stainless steel
Gear tray: steel, white enamelled finish

INSTALLATION/MOUNTING

Cable entry positions at the back and each end of the fitting. Supplied with IP65 grommet. Stainless steel quick-fix brackets supplied with each luminaire. Stainless steel toggles are captive in the canopy to prevent loss during maintenance, and steel gear tray is retained by finger operated spring latches. BESA box and conduit mounting, chain suspension and catenary suspension kits, plus through wire kits are all available. LED version: through wiring end to end is not possible but looping in and out at one end is acceptable. LSOH cabling as standard. Suitable for all indoor plus 'under cover only' applications.

SPECIFICATION

To specify state:
High performance, IP65, dust and moisture proof corrosion resistant luminaire with GRP canopy, PMMA diffuser and stainless steel toggles. Digital dimming and emergency options. As Thorn CorrosionForce II.



A corrosion resistant IP65 range for use in all atmospheres laden with salts, acids and mineral oils



LAMPS

LED 36-56W

STANDARDS

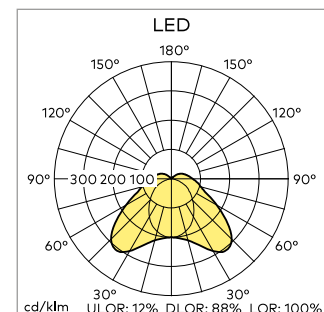
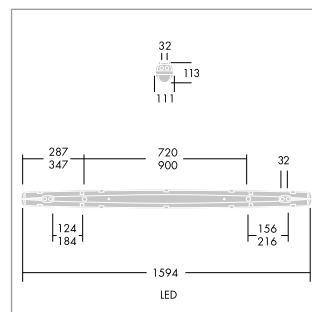
IP65 IK02 IK03 V
850°C

ORDERING GUIDE

Supplied complete with LEDs

| Description | Wt (kg) | SAP Code | Cat. No. |
|--------------------------------------|---------|----------|----------|
| CorrosionForce II LED | | | |
| CORRF2 LED4500 AC HF L840 | 2.00 | 96627912 | CF4500Z |
| CORRF2 LED4500 AC HFI L840 | 2.00 | 96627498 | CF4500D |
| CORRF2 LED7000 AC HF L840 | 2.00 | 96627913 | CF7000Z |
| CORRF2 LED7000 AC HFI L840 | 2.00 | 96627500 | CF7000D |
| CorrosionForce II Accessories | | | |
| FORCE2 BESA KIT | 0.53 | 96503168 | AQBESA |
| FORCE2 FIX KIT | 0.02 | 96503166 | AQQFB |
| FORCE2 FIX/CH KIT | 0.02 | 96503167 | AQCHASUS |
| FORCE2 MCA KIT | 0.10 | 96233817 | |
| FORCE2 MRS KIT | 0.06 | 96503169 | AQCONKIT |

To make reading our ordering guides easier please use the SAP description key fold out, inside the back cover. For more information please visit our website www.thornlighting.co.uk and simply search for our products.



AquaForce II

LED



www.thornlighting.co.uk/AQUL
www.thornlighting.ie/AQUL



A range of IP65 rated LED luminaires for high quality low energy lighting in wet and dusty environments



- Installation features include quick fix with Connect options, through wiring and BESA box compatibility (600mm spacing)
- Highly efficient LEDs reduce energy consumption and costs, and provide further savings arising from longer maintenance lifecycles (50,000 hours @L70, Ta 25°C)
- Choice of emergency lighting and DALI dimming control
- The traditional design gives an aesthetically pleasing appearance - ideal for point for point replacement on refurbishment projects

MATERIALS/FINISH

Canopy: polycarbonate (RAL 7035)
Diffuser: polycarbonate with linear prisms
Gasket: expanded polyurethane
Toggles: stainless steel
Gear tray: steel, white enamelled finish

INSTALLATION/MOUNTING

Cable entry positions at the back and each end of the fitting. Supplied with IP65 grommet. Stainless steel quick fix brackets supplied with each luminaire. Stainless steel toggles are captive in the canopy to prevent loss during maintenance. Steel gear tray is retained and suspended by spring latches. Conduit mounting, chain suspension and catenary suspension kits are all available as accessories. Suitable for all indoor applications plus external under cover only applications.

SPECIFICATION

To specify state:
High performance LED IP65, dust and moisture resistant luminaire with polycarbonate canopy, polycarbonate diffusers and steel toggles, 4300/6400 lumens options, Ra80, 4000K, long service life of 50,000 hours at 70% light output (L70).
As Thorn Aquaforce II LED



LAMPS

LED

34-53W

STANDARDS

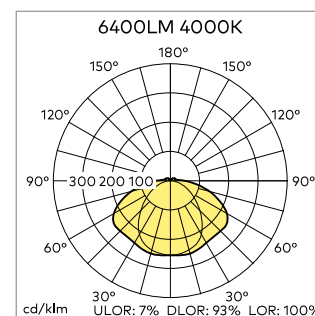
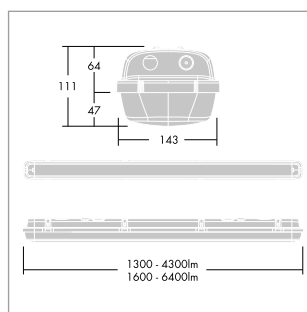
CE EN 60598 IP65 IK08 850°C

ORDERING GUIDE

Supplied complete with LEDs

| Description | Wt (kg) | SAP Code | Cat. No. |
|---|---------|----------|-----------|
| AquaForce II LED | | | |
| AQUAF2 LED 4300 HF L840 | 2.40 | 96241869 | AQ4300Z |
| AQUAF2 LED 4300 HF QF CONNECT L840 | 2.60 | 96241870 | AQ4300ZQF |
| AQUAF2 LED 6400 HF L840 | 2.80 | 96241871 | AQ6400Z |
| AQUAF2 LED 6400 HF QF CONNECT L840 | 3.00 | 96241872 | AQ6400ZQF |
| AquaForce II LED dimmable | | | |
| AQUAF2 LED 4300 HFI L840 | 2.50 | 96241940 | AQ4300D |
| AQUAF2 LED 6400 HFI L840 | 2.90 | 96241943 | AQ6400D |
| AquaForce II LED emergency | | | |
| AQUAF2 LED 4300 HF E3 L840 | 2.70 | 96628603 | AQ4300ZE |
| AQUAF2 LED 6400 HF E3 L840 | 3.10 | 96628604 | AQ6400ZE |
| AquaForce II LED dimmable, emergency | | | |
| AQUAF2 LED 4300 HFI E3 L840 | 2.70 | 96628605 | AQ4300DE |
| AQUAF2 LED 6400 HFI E3 L840 | 3.20 | 96628606 | AQ6400DE |
| AquaForce II LED through wire | | | |
| AQUAF2 LED 4300 HF TW L840 | 2.80 | 96241941 | AQ4300ZTW |
| AQUAF2 LED 6400 HF TW L840 | 3.30 | 96241944 | AQ6400ZTW |
| AquaForce II accessories | | | |
| FORCE2 FIX/CH KIT | 0.02 | 96503167 | AQCHASUS |
| FORCE2 MCA KIT | 0.10 | 96233817 | |
| FORCE2 MRS KIT | 0.06 | 96503169 | AQCONKIT |

To make reading our ordering guides easier please use the SAP description key fold out, inside the back cover. For more information please visit our website www.thornlighting.co.uk and simply search for our products.





www.thornlighting.co.uk/DUOP
www.thornlighting.ie/DUOP



LAMPS

LED 34.2-37.1W

STANDARDS

EN 60598 IP65 IK07 T_a25 850 °C
 T_{pl(a)}

- Welded frame corners provide a smooth and easy to clean surface
- Diffuser frame secured by 1/4 turn fasteners for quick installation
- Retention cords hold diffuser for easy maintenance
- Suitable for use in cleanroom classifications to EN ISO 14644-1 (Classes 5 to 9)

MATERIALS/FINISH

Body: zinc coated sheet steel, white stove enamelled finish
 Frame: extruded aluminium with welded corners, EPDM gasket, with white stove enamelled finish (RAL 9016)
 Diffuser: opal PMMA

INSTALLATION/MOUNTING

Designed for installation into various ceiling types. Suitable for exposed tee ceiling grids using 15mm or 24mm tee widths and a maximum tee height of up to 50mm. In solid/plaster board ceilings suitable apertures are recommended to support the weight of the luminaire. Luminaires are not suitable for use in concealed ceilings or certain spring tee ceiling grids such as SAS 120 / Armstrong Orcal 1800. When installed into an SAS 150 / Orcal 3000 spring tee ceiling grid the luminaire diffuser frame will not fit flush to the ceiling tile. Please consult the ceiling manufacturers technical specification for compatibility. Duoproof has 4x 8mm holes for suspension rods in the housing. Grommets supplied. 20mm cable entry holes are provided. Diffuser is held in by 1/4 turn fasteners and retention cord.

SPECIFICATION

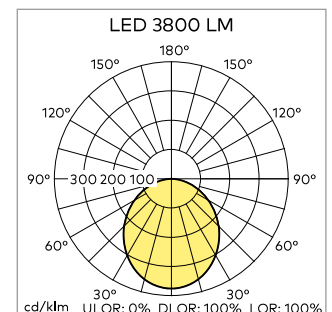
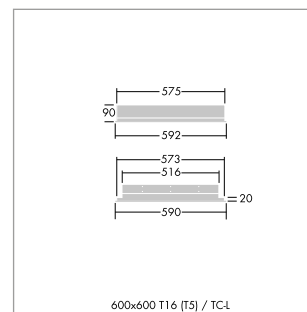
To specify state:
 Recessed IP65 sealed LED luminaire. Frame design with welded corners, EN ISO 14644-1 Cleanliness Class 5-9, diffuser. As Thorn Duoproof.

ORDERING GUIDE

Supplied complete with LEDs

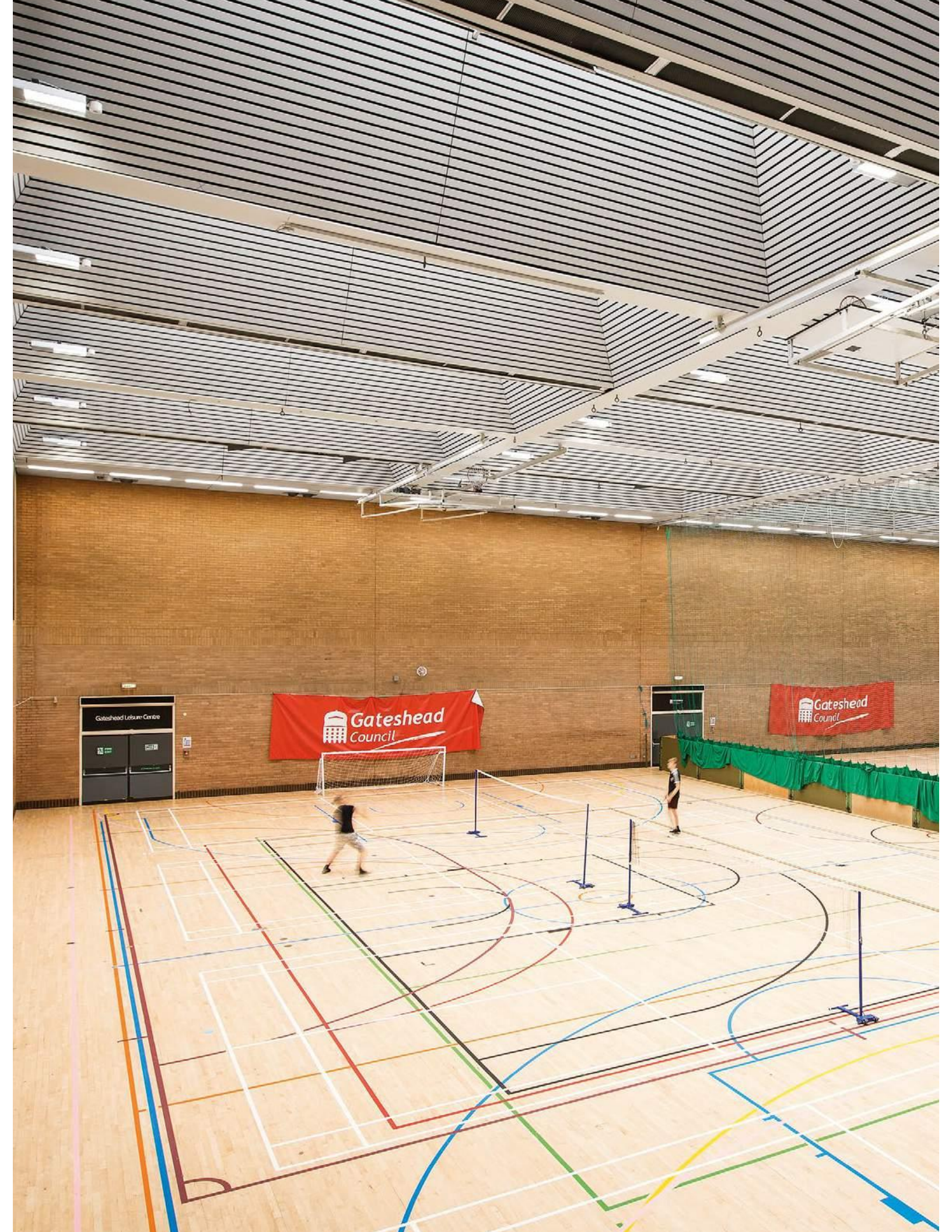
| Description | Wt (kg) | SAP Code | Cat. No. |
|------------------------------------|---------|----------|--------------|
| Duoproof LED | | | |
| DUOPRF LED3800-840 HF E3 Q600 | 9.00 | 96628425 | DP3800ZE |
| DUOPRF LED3800-840 HF Q600 | 7.50 | 96628424 | DP3800Z |
| DUOPRF LED3800-840 HFI E3 Q600 | 9.00 | 96628427 | DP3800DE |
| DUOPRF LED3800-840 HFI Q600 | 7.50 | 96628426 | DP3800D |
| DUOPRF LED3800-840 HF 1200X300 | 7.15 | 96628428 | DP3800Z12X3 |
| DUOPRF LED3800-840 HF E3 1200X300 | 7.67 | 96628429 | DP3800ZE12X3 |
| DUOPRF LED3800-840 HFI 1200X300 | 7.15 | 96628430 | DP3800D12X3 |
| DUOPRF LED3800-840 HFI E3 1200X300 | 7.67 | 96628431 | DP3800DE12X3 |

To make reading our ordering guides easier please use the SAP description key fold out, inside the back cover. For more information please visit our website www.thornlighting.co.uk and simply search for our products.





Duoproof, Loughborough University, UK



Gateshead Leisure Centre

 **Gateshead**
Council

 **Gateshead**
Council

Indoor Lighting

SPORTS LUMINAIRES



92
HiPak Pro LED



94
Titus Sport

HiPak

Pro LED



www.thornlighting.co.uk/HIPS
www.thornlighting.ie/HIPS



Extremely efficient, robust and low maintenance LED High Bay



- Dedicated asymmetric optic for use in sports applications
- Ball-proof certified to ensure protection in a sports environment
- Highly efficient operation up to 135lm/W for significant energy savings
- On board thermal management system ensures LED performance and lifetime

MATERIALS/FINISH

Housing: anodised aluminium extrusion with steel powder coated end caps (close to RAL 9006).
Reflector: high grade MIRO 5 aluminium with plastic front cover.

INSTALLATION/MOUNTING

All mounting kits to be ordered separately and clip tool free onto the back of the body. Chain suspension (96241507), trunking mounting via 20mm holes (96241497), catenary suspension (96241515). To mechanically join two luminaires together both a mounting kit (options from above) and accessory 96241508 need to be ordered. For sports applications an additional bracket should be ordered (96628086) to ensure security upon impact. A 2.5mm² piano key terminal block is accessed via a sliding gear tray cover offering two 20mm cable entries. Emergency versions suitable for maximum ambient temperature up to 30°C.

SPECIFICATION

To specify state:
LED high bay luminaire made from extruded anodised aluminium, with a choice of open area, rack or asymmetric optic, DALI with sensor or emergency options as standard, LEDs supplied offering 14,000 and 19,000 lumen output, 4000K, 50,000 hours L80, up to 135lm/W, sliding gear tray cover for quick terminal block access.
As Thorn HiPak Pro LED.



Optional sensor control



Joining bracket (to be ordered separately)



Trunking mounting kit (KIT FIX BRA)



Precision individual LED optics



Chain mounting kit (KIT FIX/CH)



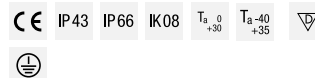
IP66 version

LAMPS

LED

104-152W

STANDARDS

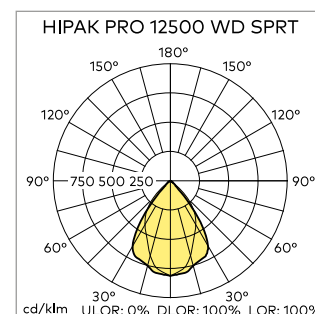
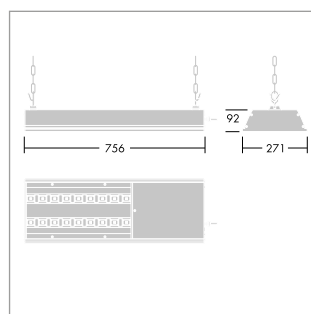
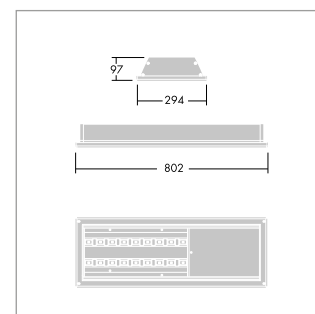


ORDERING GUIDE

Supplied complete with LEDs. Mounting kits to be ordered separately.

| Description | Wt (kg) | SAP Code | Cat. No. |
|--|---------|----------|---------------|
| HiPak Pro LED with sport optic | | | |
| HIPAK PRO LED12500-840 HFI-X ASY SPRT | 9.20 | 96642965 | HPS12500YAS |
| HIPAK PRO LED12500-840 HFI-X WD SPRT | 14.30 | 96642966 | HPS12500YWD |
| HIPAK PRO LED13500-740 HFI-X ASY SPRT | 8.80 | 96628053 | HPS13500YAS |
| HIPAK PRO LED13500-740 HFI-X WD SPRT | 8.80 | 96642929 | HPS13500YWD |
| HIPAK PRO LED17000-840 HFI-X ASY SPRT | 9.20 | 96642936 | HPS17000YAS |
| HIPAK PRO LED17000-840 HFI-X WD SPRT | 8.80 | 96642941 | HPS17000YWD |
| HIPAK PRO LED18500-740 HFI-X ASY SPRT | 8.80 | 96642950 | HPS18500YAS |
| HIPAK PRO LED18500-740 HFI-X WD SPRT | 8.80 | 96642923 | HPS18500YWD |
| HiPak Pro LED with sport optic, emergency | | | |
| HIPAK PRO LED12500-840 HFI-X E3 ASY SPRT | 14.30 | 96642967 | HPS12500YEAS |
| HIPAK PRO LED12500-840 HFI-X E3 WD SPRT | 8.80 | 96642935 | HPS12500YEWWD |
| HIPAK PRO LED13500-740 HFI-X E3 ASY SPRT | 9.20 | 96628018 | HPS13500YEAS |
| HIPAK PRO LED13500-740 HFI-X E3 WD SPRT | 8.80 | 96642932 | HPS13500YEWWD |
| HIPAK PRO LED17000-840 HFI-X E3 ASY SPRT | 9.20 | 96628050 | HPS17000YEAS |
| HIPAK PRO LED17000-840 HFI-X E3 WD SPRT | 9.20 | 96642942 | HPS17000YEWWD |
| HIPAK PRO LED18500-740 HFI-X E3 ASY SPRT | 9.20 | 96642947 | HPS18500YEAS |
| HIPAK PRO LED18500-740 HFI-X E3 WD SPRT | 8.80 | 96642926 | HPS18500YEWWD |
| HiPak Pro LED Accessories | | | |
| HIPAK LED BRA | 0.40 | 96241497 | HPTRUBRA |
| HIPAK PRO KIT FIX BRA JOINT | 0.90 | 96241508 | HPJOINT |
| HIPAK PRO KIT FIX MCA | 0.20 | 96241515 | HPCATSUS |
| HIPAK PRO KIT FIX SPORT | 1.80 | 96628086 | HPSBRA |
| HIPAK PRO KIT FIX/CH | 0.20 | 96241507 | HPCHAIN |

To make reading our ordering guides easier please use the SAP description key fold out, inside the back cover. For more information please visit our website www.thornlighting.co.uk and simply search for our products.





A dedicated sports hall T16 (T5) luminaire with robust mechanical construction and excellent lighting performance



- Unique curved housing prevents projectiles from remaining on top of the luminaire
- Separate circuits on 3 and 4 lamp versions (1+2 or 2+2)
- Mounting bracket allows stepless tilting up to 50° without rotational torque, even when suspended
- Easy installation and maintenance with patented built-in junction box

MATERIALS/FINISH

Body: white powder painted galvanised steel
 Wire guard: galvanised steel
 Reflector: high quality Miro aluminium.
 Halogen free internal wiring

INSTALLATION/MOUNTING

Surface mounted or mounted on catenary wire. Surface mounting brackets included which allow tilting up to 50 degrees even when wire suspended. The centre of gravity is positioned directly below the fastening point. For catenary suspension MCA suspension kit should be ordered. The wire guard and optional louvre are hinged for ease of maintenance. Wire guard is held securely in place with protective clips.

Electrical connection: Through-wiring version has 5x2.5mm² terminal blocks at each end. Central wiring box version with patented built-in junction box (cutting installation time in half) has side access hatch to allow electrical termination without opening the fitting. Two 3x2.5mm² terminal blocks allow wiring through end-caps or through the top of the fitting. Grommets supplied, accepting 10 to 14mm cable. 3 and 4 lamp versions are wired with two separate circuits.

SPECIFICATION

To specify state:
 Sports hall luminaire for 49/54/80W T16 (T5) lamps, for surface or suspended mounting with brackets included which allow tilting up to 50 degrees without rotational torque. To comply with DIN 18032.3. As Thorn Titus Sport.



LAMPS

T5 (FDH) G5 49-80W

STANDARDS

CE EN 60598 IP23 IK09 T_a30 T_a45
 S E

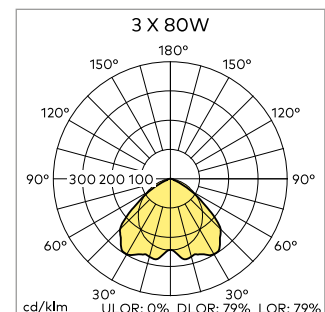
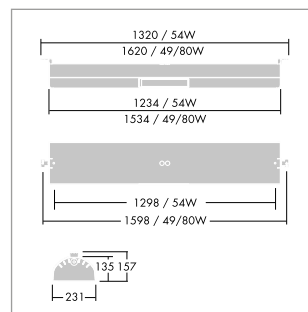
ORDERING GUIDE

Supplied complete with lamps

| Description | Wt (kg) | SAP Code | Cat. No. |
|--|---------|----------|-----------|
| Titus Sport High frequency | | | |
| TITUS SPORT 2X49W L840 | 7.80 | 96547437 | TTS249Z |
| TITUS SPORT 2X54W L840 | 6.80 | 96547439 | TTS254Z |
| TITUS SPORT 3X49W L840 | 8.10 | 96547441 | TTS349Z |
| TITUS SPORT 3X54W L840 | 7.10 | 96547445 | TTS354Z |
| TITUS SPORT 4X49W L840 | 8.20 | 96547450 | TTS449Z |
| TITUS SPORT 4X54W L840 | 7.20 | 96547454 | TTS454Z |
| TITUS SPORT 3X80W L840 | 8.10 | 96548528 | TTS380Z |
| TITUS SPORT 4X80W L840 | 9.10 | 96547458 | TTS480Z |
| Titus Sport High frequency, emergency | | | |
| TITUS SPORT 2X49W E3 L840 | 9.50 | 96548509 | TTS249ZE |
| TITUS SPORT 3X49W E3 L840 | 10.00 | 96239886 | TTS349ZE |
| TITUS SPORT 4X49W E3 L840 | 8.80 | 96548533 | TTS449ZE |
| TITUS SPORT 4X54W E3 L840 | 8.80 | 96547465 | TTS454ZE |
| TITUS SPORT 3X80W E3 L840 | 9.80 | 96548529 | TTS380ZE |
| TITUS SPORT 4X80W E3 L840 | 10.00 | 96548542 | TTS480ZE |
| Titus Sport High frequency, through wired | | | |
| TITUS SPORT 2X54W TW L840 | 6.90 | 96547440 | TTS254ZTW |
| TITUS SPORT 3X49W TW L840 | 8.20 | 96547444 | TTS349ZTW |
| TITUS SPORT 2X49W TW L840 | 7.90 | 96547438 | TTS249ZTW |
| TITUS SPORT 4X49W TW L840 | 8.30 | 96547453 | TTS449ZTW |
| TITUS SPORT 4X54W TW L840 | 7.30 | 96547457 | TTS454ZTW |
| TITUS SPORT 3X80W TW L840 | 8.20 | 96547449 | TTS380ZTW |
| TITUS SPORT 4X80W TW L840 | 9.20 | 96547461 | TTS480ZTW |
| Titus Sport High frequency, dimmable | | | |
| TITUS SPORT 2X49W HFI L840 | 9.00 | 96550469 | TTS249D |
| TITUS SPORT 2X54W HFI L840 | 7.42 | 96550473 | TTS254D |
| TITUS SPORT 3X49W HFI L840 | 8.20 | 96550477 | TTS349D |
| TITUS SPORT 2X80W HFI L840 | 9.00 | 96550495 | TTS249D |
| TITUS SPORT 4X49W HFI L840 | 9.20 | 96550484 | TTS449D |
| TITUS SPORT 4X54W HFI L840 | 7.10 | 96550488 | TTS454D |
| TITUS SPORT 3X80W HFI L840 | 8.20 | 96550481 | TTS380D |
| TITUS SPORT 4X80W HFI L840 | 9.00 | 96550491 | TTS480D |

| Description | Wt (kg) | SAP Code | Cat. No. |
|--|---------|----------|-------------|
| Titus Sport Dimmable, emergency | | | |
| TITUS SPORT 2X49W HFI E3 L840 | 9.70 | 96550470 | TTS249DE |
| TITUS SPORT 3X49W HFI E3 L840 | 10.50 | 96550476 | TTS349DE |
| TITUS SPORT 4X49W HFI E3 L840 | 10.00 | 96550494 | TTS449DE |
| TITUS SPORT 4X54W HFI E3 L840 | 8.90 | 96550486 | TTS454DE |
| TITUS SPORT 4X80W HFI E3 L840 | 10.00 | 96550490 | TTS480DE |
| Titus Sport High frequency, dimmable, through wired | | | |
| TITUS SPORT 3X49W HFI TW L840 | 8.20 | 96550478 | TTS349DTW |
| TITUS SPORT 4X49W HFI TW L840 | 9.40 | 96550485 | TTS449DTW |
| TITUS SPORT 4X54W HFI TW L840 | 8.00 | 96550489 | TTS454DTW |
| TITUS SPORT 3X80W HFI TW L840 | 8.40 | 96550482 | TTS380DTW |
| TITUS SPORT 4X80W HFI TW L840 | 9.40 | 96550492 | TTS480DTW |
| Titus Sport Attachments | | | |
| TITUS LOUVRE 28W/54W DSB | 0.001 | 96010224 | TTI28/54LVD |
| TITUS LOUVRE 35W/49W PSB | 0.95 | 96010223 | TTI35/49LVP |
| TITUS LOUVRE B 35W/49W DSB | 0.001 | 96010225 | TTI35/49LVD |
| Titus Sport Accessories | | | |
| TITUS GRILLE 28W/54W | 0.001 | 96010228 | TT28/54GR |
| TITUS GRILLE 35W/49W | 0.001 | 96010229 | TT35/49GR |
| WIRE SUSPENSION CLIP KIT TYPE 2 | 0.07 | 96010220 | TTIWSK |

To make reading our ordering guides easier please use the SAP description key fold out, inside the back cover. For more information please visit our website www.thornlighting.co.uk and simply search for our products.





ALBERT PRINCE CONSORT
BORN 1819 DIED 1861

Outdoor Lighting

RECESSED ARCHITECTURAL FLOODLIGHTING



98
Mica



101
E/Fact



104
Linn



www.thornlighting.co.uk/MICA
www.thornlighting.ie/MICA



- Designed in accordance with the new contact temperature norm: <math><40^{\circ}\text{C}</math>
- Sealed to IP67 with die-cast aluminium body. Wide choice of sizes, frames, mounting depths, light sources and control technologies to suit application
- Tilting angle adjustment for semi-frosted glass versions (except for asymmetrical light distributions A/S)
- Integral power supplies. All versions are pre-wired with resined cables for improved waterproofness and speed of installation

MATERIALS/FINISH

Bodies: die-cast aluminium, ENAB44100 (copper free) with powdered paint finish for high corrosion resistance.
 Frame: Stainless steel AISI 316L (3mm thick) treated against corrosion or painted aluminium ENAB44100 (copper free).
 Retaining screws: stainless steel
 Front glass: toughened semi-frosted or frosted sodic glass.
 Glass thicknesses:
 Mica Slim A and Mica Slim I: 19mm with stainless steel frame and 15mm with painted aluminium.
 Mica Slim S: 15mm with stainless steel frame and 12mm with painted aluminium ENAB44100 (copper free).
 Mica Slim SS: 12mm with stainless steel frame and 10mm with painted aluminium ENAB44100 (copper free).
 Gasket: anti-ageing silicon.
 Recessing box: polypropylene.
 Cable: (HO7RN-F 3x1,5mm²) min. 0.4m long for all sizes.
 Dome window attachments: painted aluminium ENAB44100 for Mica Slim SS versions only.
 Anti-slip glass on request.
 Holographic films: non-yellowing polycarbonate.
 All versions have integral power supply but not dimmable.

INSTALLATION/MOUNTING

Luminaire delivered complete with body, recessed box, frame and glass. All versions are pre-wired.
 For outdoor applications, 30cm drainage gravel or any equivalent drainage system must be used beneath the housing to ensure water evacuation. The recessed box can be embedded in asphalt with good drainage once the temperature of the asphalt is approximately 80°C. Luminaire must be operated for 45 minutes without its front glass to avoid moisture build-up inside the housing. Mica and Mica Slim can be installed in areas with a maximum low speed of 30km/hr for the flat versions and 20km/hr for the dome versions. To facilitate quick installation, the wiring can be done via IP68 wiring connectors (SAP codes 96260810, 96260809, 96272068 and 60800549). For through wiring, IP67 connection boxes can be used (SAP codes 96257909 and 96257908).
 All versions have integral power supply. In accordance to the norm EN60598-2-13, the maximum static load is 5000kg for flat glass with stainless steel frame, 3500kg for flat glass with aluminium frame. Colour change RGB lighting technology available in Mica Slim I. For RGB versions, LEDs are driven by DMX control (not supplied). Holographic film set up in LED versions only: open the front glass and insert the holographic film

under the glass, with the smooth side of the film in contact with the glass. Rotate the film to obtain the required effect.

SPECIFICATION

To specify state:
 Round recessed, low temperatures, drive-over luminaires with integral transformer in 4 sizes. Polypropylene recessed box and flat stainless steel/flat or dome windows painted aluminium frames. Die cast aluminium body sealed to IP67. With a choice of 3 monochromatic colours for Mica Slim SS, S, A and I. Dynamic RGB versions for Mica Slim I driven by DMX driver (included). Other DMX components ordered separately.
 For ground installation with front part-frosted flat glass enclosure for illumination or frosted glass/frosted glass/dome windows for guidance. Holographic films for LED versions only.
 As Thorn Mica and Mica Slim.



LAMPS

 LED

2.5-27.3W

STANDARDS

 IP67  

ORDERING GUIDE

Supplied complete with LED.
All Mica versions are supplied pre-wired.

| Description | Wt (kg) | SAP Code | Cat. No. |
|-------------------------------------|---------|----------|----------|
| Mica Slim SS LED | | | |
| MICA SLIM SS 1L35 ACC 24D 832 AL SF | 1.57 | 96271533 | |
| MICA SLIM SS 1L35 ACC 24D 832 RS SF | 1.74 | 96271534 | |
| MICA SLIM SS 1L35 ACC 24D 840 AL SF | 1.57 | 96271531 | |
| MICA SLIM SS 1L35 ACC 24D 840 RS SF | 1.74 | 96271532 | |
| MICA SLIM SS 1L35 ACC 24D BLU AL SF | 1.74 | 96271535 | |
| MICA SLIM SS 1L35 ACC 24D BLU RS SF | 1.74 | 96271536 | |
| MICA SLIM SS 1L35 ACC 7D 832 AL SF | 1.57 | 96271480 | |
| MICA SLIM SS 1L35 ACC 7D 832 RS SF | 1.74 | 96271477 | |
| MICA SLIM SS 1L35 ACC 7D 840 AL SF | 1.57 | 96271479 | |
| MICA SLIM SS 1L35 ACC 7D 840 RS SF | 1.74 | 96271476 | |
| MICA SLIM SS 1L35 ACC 7D BLU AL SF | 1.57 | 96271481 | |
| MICA SLIM SS 1L35 ACC 7D BLU RS SF | 1.74 | 96271478 | |
| MICA SLIM SS 1L35 SOFT 832 AL FR | 1.47 | 96271474 | |
| MICA SLIM SS 1L35 SOFT 832 RS FR | 1.64 | 96271471 | |
| MICA SLIM SS 1L35 SOFT 840 AL FR | 1.47 | 96271473 | |
| MICA SLIM SS 1L35 SOFT 840 RS FR | 1.64 | 96271470 | |
| MICA SLIM SS 1L35 SOFT BLU AL FR | 1.47 | 96271475 | |
| MICA SLIM SS 1L35 SOFT BLU RS FR | 1.64 | 96271472 | |
| MICA SLIM SS 1L70 ACC 832 EDO W1 | 1.47 | 96271488 | |
| MICA SLIM SS 1L70 ACC 832 EDO W2 | 1.47 | 96271489 | |
| MICA SLIM SS 1L70 ACC 832 EDO W8 | 1.47 | 96271490 | |
| MICA SLIM SS 1L70 ACC 840 EDO W1 | 1.47 | 96271482 | |
| MICA SLIM SS 1L70 ACC 840 EDO W2 | 1.47 | 96271484 | |
| MICA SLIM SS 1L70 ACC 840 EDO W8 | 1.47 | 96271486 | |
| MICA SLIM SS 1L70 ACC BLU EDO W1 | 1.47 | 96271483 | |
| MICA SLIM SS 1L70 ACC BLU EDO W2 | 1.47 | 96271485 | |
| MICA SLIM SS 1L70 ACC BLU EDO W8 | 1.47 | 96271487 | |

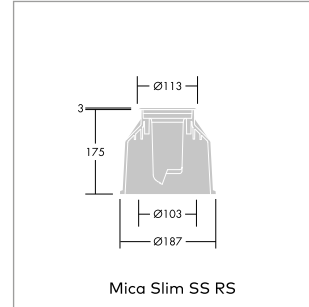
| Description | Wt (kg) | SAP Code | Cat. No. |
|------------------------------------|---------|----------|----------|
| Mica Slim S LED | | | |
| MICA SLIM S 3L35 ACC 10D 832 AL SF | 2.34 | 96271501 | |
| MICA SLIM S 3L35 ACC 10D 832 RS SF | 2.60 | 96271498 | |
| MICA SLIM S 3L35 ACC 10D 840 AL SF | 2.34 | 96271500 | |
| MICA SLIM S 3L35 ACC 10D 840 RS SF | 2.60 | 96271497 | |
| MICA SLIM S 3L35 ACC 10D BLU AL SF | 2.34 | 96271502 | |
| MICA SLIM S 3L35 ACC 10D BLU RS SF | 2.60 | 96271499 | |
| MICA SLIM S 3L35 ACC 23D 832 AL SF | 2.34 | 96271539 | |
| MICA SLIM S 3L35 ACC 23D 832 RS SF | 2.60 | 96271540 | |
| MICA SLIM S 3L35 ACC 23D 840 AL SF | 2.34 | 96271537 | |
| MICA SLIM S 3L35 ACC 23D 840 RS SF | 2.60 | 96271538 | |
| MICA SLIM S 3L35 ACC 23D BLU AL SF | 2.34 | 96271541 | |
| MICA SLIM S 3L35 ACC 23D BLU RS SF | 2.60 | 96271542 | |
| MICA SLIM S 3L35 SOFT 832 AL FR | 2.20 | 96271495 | |
| MICA SLIM S 3L35 SOFT 832 RS FR | 2.45 | 96271492 | |
| MICA SLIM S 3L35 SOFT 840 AL FR | 2.20 | 96271494 | |
| MICA SLIM S 3L35 SOFT 840 RS FR | 2.45 | 96271491 | |
| MICA SLIM S 3L35 SOFT BLU AL FR | 2.20 | 96271496 | |
| MICA SLIM S 3L35 SOFT BLU RS FR | 2.45 | 96271493 | |
| Mica Slim A LED | | | |
| MICA SLIM A 5L90 ACC 8D 832 AL SF | 4.93 | 96271513 | |
| MICA SLIM A 5L90 ACC 8D 832 RS SF | 5.71 | 96271510 | |
| MICA SLIM A 5L90 ACC 8D BLU AL SF | 4.93 | 96271514 | |
| MICA SLIM A 5L90 ACC 8D BLU RS SF | 5.71 | 96271511 | |
| MICA SLIM A 5L90 ACC 28D 832 AL SF | 4.93 | 96271545 | |
| MICA SLIM A 5L90 ACC 28D 832 RS SF | 5.71 | 96271546 | |
| MICA SLIM A 5L90 ACC 28D 840 AL SF | 4.93 | 96271543 | |
| MICA SLIM A 5L90 ACC 28D 840 RS SF | 5.71 | 96271544 | |
| MICA SLIM A 5L90 ACC 28D BLU AL SF | 4.93 | 96271547 | |
| MICA SLIM A 5L90 ACC 28D BLU RS SF | 5.71 | 96271548 | |
| MICA SLIM A 4L50 SOFT 832 AL FR | 4.43 | 96271507 | |
| MICA SLIM A 4L50 SOFT 832 RS FR | 5.22 | 96271504 | |
| MICA SLIM A 4L50 SOFT 840 AL FR | 4.43 | 96271506 | |
| MICA SLIM A 4L50 SOFT 840 RS FR | 5.22 | 96271503 | |
| MICA SLIM A 4L50 SOFT BLU AL FR | 4.43 | 96271508 | |
| MICA SLIM A 4L50 SOFT BLU RS FR | 5.22 | 96271505 | |
| MICA SLIM A 5L90 ACC 8D 840 AL SF | 4.93 | 96271512 | |
| MICA SLIM A 5L90 ACC 8D 840 RS SF | 5.71 | 96271509 | |



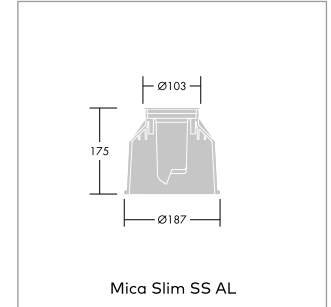
www.thornlighting.co.uk/MICA
www.thornlighting.ie/MICA

| Description | Wt (kg) | SAP Code | Cat. No. |
|--|---------|----------|----------|
| Mica Slim I LED | | | |
| MICA SLIM I 9L90 ACC 28D 832 AL SF | 8.49 | 96271551 | |
| MICA SLIM I 9L90 ACC 28D 832 RS SF | 9.78 | 96271552 | |
| MICA SLIM I 9L90 ACC 28D BLU AL SF | 8.49 | 96271553 | |
| MICA SLIM I 9L90 ACC 28D BLU RS SF | 9.78 | 96271554 | |
| MICA SLIM I 9L90 ACC 8D 832 AL SF | 8.49 | 96271517 | |
| MICA SLIM I 9L90 ACC 8D 832 RS SF | 9.78 | 96271518 | |
| MICA SLIM I 9L90 ACC 8D 840 AL SF | 8.49 | 96271515 | |
| MICA SLIM I 9L90 ACC 8D 840 RS SF | 9.78 | 96271516 | |
| MICA SLIM I 9L90 ACC 8D BLU AL SF | 8.49 | 96271519 | |
| MICA SLIM I 9L90 ACC 8D BLU RS SF | 9.78 | 96271520 | |
| MICA SLIM I 15L25 SOFT RGB DMX AL FR | 8.49 | 96271529 | |
| MICA SLIM I 15L25 SOFT RGB DMX RS FR | 9.78 | 96271530 | |
| MICA SLIM I 7L50 ACC 22D RGB DMX AL SF | 8.49 | 96271521 | |
| MICA SLIM I 7L50 ACC 22D RGB DMX RS SF | 9.78 | 96271522 | |
| MICA SLIM I 9L50 SOFT 832 AL FR | 8.49 | 96271525 | |
| MICA SLIM I 9L50 SOFT 832 RS FR | 9.78 | 96271526 | |
| MICA SLIM I 9L50 SOFT 840 AL FR | 8.49 | 96271523 | |
| MICA SLIM I 9L50 SOFT 840 RS FR | 9.78 | 96271524 | |
| MICA SLIM I 9L50 SOFT BLU AL FR | 8.49 | 96271527 | |
| MICA SLIM I 9L50 SOFT BLU RS FR | 9.78 | 96271528 | |
| MICA SLIM I 9L90 ACC 28D 840 AL SF | 8.49 | 96271549 | |
| MICA SLIM I 9L90 ACC 28D 840 RS SF | 9.78 | 96271550 | |
| Mica Slim LED holographic films | | | |
| MICA SLIM A LED HOLO FILM 60X1° | 0.95 | 96260436 | MCSA1 |
| MICA SLIM A LED HOLO FILM 60X60° | 0.95 | 96260437 | MCSA60 |
| MICA SLIM A LED HOLO FILM 75X45° | 0.95 | 96260438 | MCSA45 |
| MICA SLIM I LED HOLO FILM 60X1° | 0.95 | 96260439 | MCSI1 |
| MICA SLIM I LED HOLO FILM 60X60° | 0.95 | 96260440 | MCSI60 |
| MICA SLIM I LED HOLO FILM 75X45° | 0.95 | 96260441 | MCSI45 |
| MICA SLIM S LED HOLO FILM 60X1° | 0.45 | 96260433 | MCS1 |
| MICA SLIM S LED HOLO FILM 60X60° | 0.45 | 96260434 | MCS60 |
| MICA SLIM S LED HOLO FILM 75X45° | 0.45 | 96260435 | MCS45 |
| MICASLIMSS/CESAR1CIRC LED HOLOFILM60X1° | 0.45 | 96260430 | MCSS1 |
| MICASLIMSS/CESAR1CIRC LED HOLOFILM60X60° | 0.45 | 96260431 | MCSS60 |
| MICASLIMSS/CESAR1CIRC LED HOLOFILM75X45° | 0.45 | 96260432 | MCSS45 |
| Mica Accessories | | | |
| CON CABLE 3/3X1,5² IP67 ZUM | 0.10 | 60800549 | |
| CONNECT CABLE 2/3X1,5²-4² TH390 IP68 | 0.05 | 96260809 | EFCC2X3 |
| CONNECT CABLE 2/4X1,5²-4² TH391 IP68 | 0.05 | 96260810 | EFCC2X4 |
| CONNECT CABLE BOX 3/4X2,5² IP67 | 0.40 | 96257908 | EFCCB3X4 |
| CONNECT CABLE BOX 4/6X2,5² IP67 | 0.77 | 96257909 | EFCCB4X6 |
| MICA B/I LV 60D | 0.42 | 96002573 | MCBLV60 |
| MICA B/I LV 90D | 0.37 | 96002568 | MCBLV90 |
| MICA I 70W/150W 6/22D LV | 0.05 | 96272283 | |

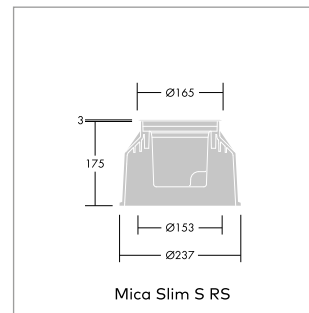
To make reading our ordering guides easier please use the SAP description key fold out, inside the back cover. For more information please visit our website www.thornlighting.co.uk and simply search for our products.



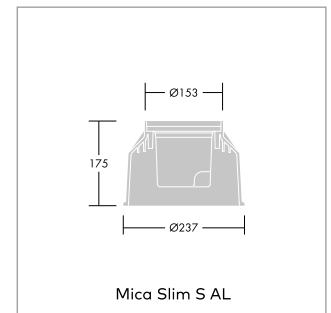
Mica Slim SS RS



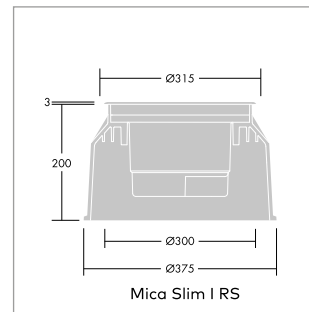
Mica Slim SS AL



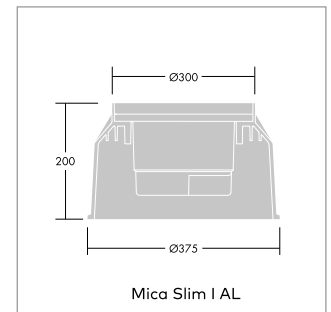
Mica Slim S RS



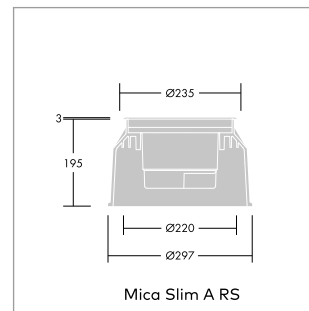
Mica Slim S AL



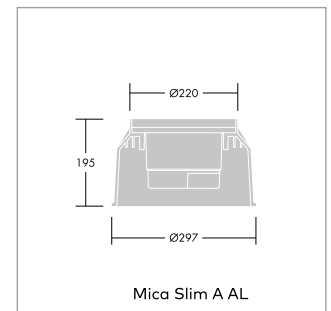
Mica Slim I RS



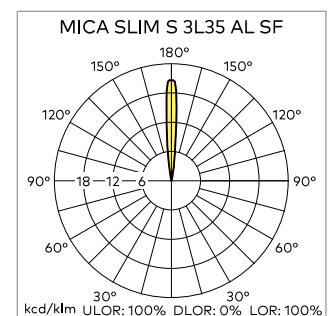
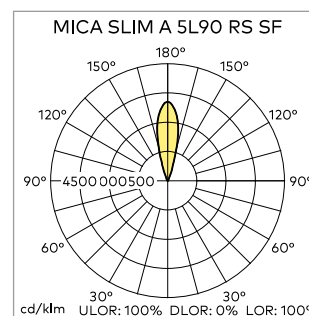
Mica Slim I AL



Mica Slim A RS



Mica Slim A AL





www.thornlighting.co.uk/EFCT
www.thornlighting.ie/EFCT



- Designed in accordance with the new contact temperature norm: <math><40^{\circ}\text{C}</math>
- Sealed to IP67 with die-cast aluminium body. Wide choice of sizes, frames, mounting depths, light sources and control technologies to suit application
- Tilting angle adjustment for semi-frosted glass versions (except for asymmetrical light distributions A/S)
- Integral power supplies. All versions are pre-wired with resined cables for improved waterproofness and speed of installation

MATERIALS/FINISH

Bodies: die-cast aluminium, ENAB44100 (copper free) with powdered paint finish for high corrosion resistance.
Frame: Stainless steel AISI 316L (2mm thick) treated against corrosion or painted aluminium ENAB44100 (copper free).
Retaining screws: stainless steel
Front glass: toughened semi-frosted or frosted sodic glass.
Glass thicknesses:
E/Fact 00: 8mm.
E/Fact 0: 8mm.
E/Fact 1: 10mm.
Gasket: anti-ageing silicon
Recessing box: polypropylene
Cable: (H07RN-F 3x1,5mm²) min. 0,4m long for all sizes.
Dome window attachments: painted aluminium ENAB44100 for E/Fact 0 round versions only.
Anti-slip glass on request.
Holographic films: non-yellowing polycarbonate.
All versions have integral power supply but not dimmable.
All versions have electronic ballast.

INSTALLATION/MOUNTING

In-ground installation:
Luminaire delivered complete with body, recessed box, frame and glass. For outdoor applications, 30cm drainage gravel or any equivalent drainage system must be used beneath the housing to ensure water evacuation. The recessed box can be embedded in asphalt with good drainage once the temperature of the asphalt is approximately 80°C. Luminaire must be operated for 45 minutes without its front glass to avoid moisture building-up inside the housing. In accordance to the norm EN60598-2-13, the maximum static load is 1000kg. Glow wire is 750°C.
Ceiling or wall installation:
Due to clips and safety cable accessories (to be ordered separately), all E/Fact versions with aluminium frame can be installed in ceiling with ceiling kits (to be ordered separately). Only E/Fact 0 and E/Fact 00 can be used in wall. For RGB versions, LEDs are driven by DMX control (not supplied). To facilitate quick installation, the wiring can be done via IP68 wiring connectors (SAP codes 96260810, 96260809 and 96272068).

LAMPS
LED 1.1-16W

STANDARDS

CE IP67 IK08 IK09

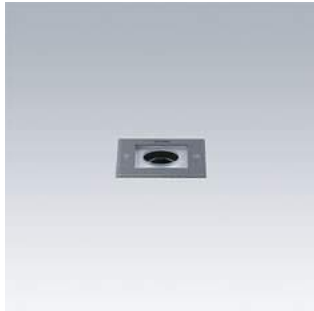
For through wiring, IP67 connection boxes can be used (SAP codes 96257909 and 96257908).
Holographic film: open the front glass and insert the holographic film under the glass thanks to the gasket with the smooth side of the film in contact of the glass. Rotate the film to obtain the required light effect.

SPECIFICATION

To specify state:
Square and round recessed, low temperatures, walk-over luminaires with integral transformer, 4 pre-wired sizes. Polypropylene recessed box and flat stainless steel/flat or dome windows painted aluminium frames. Die-cast aluminium body sealed to IP67. Choice of lamp types/LED versions. With a choice of 3 monochromatic colours for size 00, 0, 1 and 2. Dynamic RGB versions for size 2 driven by DMX driver (included). Other DMX components ordered separately.
For ground installation with front semi-frosted flat glass enclosure for illumination or frosted glass/dome/dome windows for guidance. Holographic films for LED versions only.
As Thorn E/Fact.



www.thornlighting.co.uk/EFCT
www.thornlighting.ie/EFCT



ORDERING GUIDE

All E/Fact Slim versions are supplied pre-wired.
 The E/fact Slim 00 is available with stainless steel or painted aluminium frame.
 The E/fact Slim size 1 is available with stainless steel only.
 E/Fact 1 RGB version works with remote DMX/gear box.

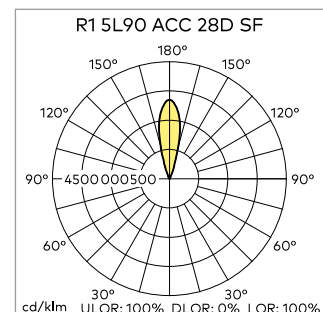
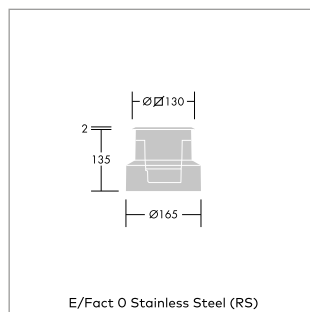
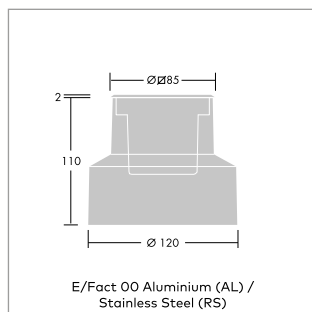
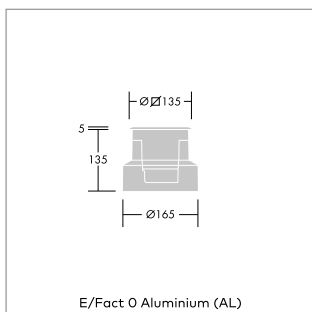
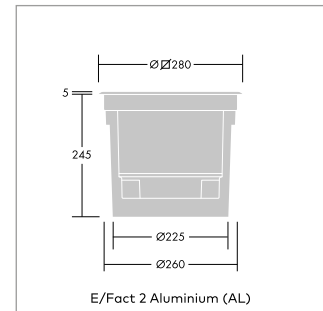
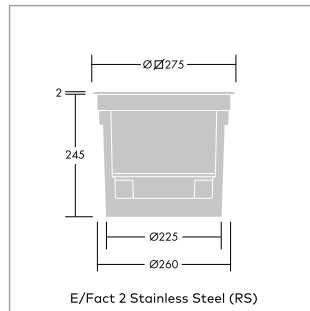
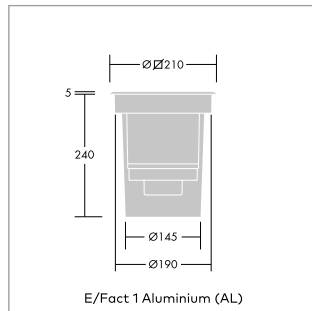
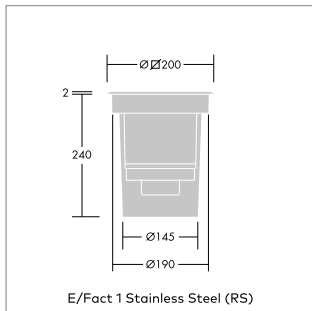
| Description | Wt (kg) | SAP Code |
|----------------------------------|---------|----------|
| E/Fact 00 LED Square | | |
| EFACT C00 1L35 SOFT 832 AL FR | 0.70 | 96271561 |
| EFACT C00 1L35 SOFT 832 RS FR | 0.75 | 96271562 |
| EFACT C00 1L35 SOFT BLU AL FR | 0.70 | 96271557 |
| EFACT C00 1L35 SOFT BLU RS FR | 0.75 | 96271558 |
| EFACT C00 1L35 ACC 24D 832 AL SF | 0.72 | 96271714 |
| EFACT C00 1L35 ACC 24D 832 RS SF | 0.78 | 96271715 |
| EFACT C00 1L35 ACC 24D 840 AL SF | 0.72 | 96271712 |
| EFACT C00 1L35 ACC 24D 840 RS SF | 0.78 | 96271713 |
| EFACT C00 1L35 ACC 24D BLU AL SF | 0.72 | 96271716 |
| EFACT C00 1L35 ACC 24D BLU RS SF | 0.78 | 96271717 |
| EFACT C00 1L35 ACC 7D 832 AL SF | 0.72 | 96271559 |
| EFACT C00 1L35 ACC 7D 832 RS SF | 0.78 | 96271560 |
| EFACT C00 1L35 ACC 7D BLU AL SF | 0.72 | 96271555 |
| EFACT C00 1L35 ACC 7D BLU RS SF | 0.78 | 96271556 |
| EFACT C00 1L35 ACC 7D 840 AL SF | 0.72 | 96271563 |
| EFACT C00 1L35 ACC 7D 840 RS SF | 0.78 | 96271564 |
| EFACT C00 1L35 SOFT 840 AL FR | 0.70 | 96271565 |
| EFACT C00 1L35 SOFT 840 RS FR | 0.75 | 96271566 |
| E/Fact 00 LED Round | | |
| EFACT R00 1L35 SOFT 832 AL FR | 0.62 | 96271573 |
| EFACT R00 1L35 SOFT 832 RS FR | 0.66 | 96271574 |
| EFACT R00 1L35 SOFT 840 AL FR | 0.62 | 96271577 |
| EFACT R00 1L35 SOFT 840 RS FR | 0.66 | 96271578 |
| EFACT R00 1L35 SOFT BLU AL FR | 0.62 | 96271569 |
| EFACT R00 1L35 SOFT BLU RS FR | 0.66 | 96271570 |
| EFACT R00 1L35 ACC 24D 832 AL SF | 0.64 | 96271708 |
| EFACT R00 1L35 ACC 24D 832 RS SF | 0.68 | 96271709 |
| EFACT R00 1L35 ACC 24D 840 AL SF | 0.64 | 96271706 |
| EFACT R00 1L35 ACC 24D 840 RS SF | 0.68 | 96271707 |
| EFACT R00 1L35 ACC 24D BLU AL SF | 0.64 | 96271710 |
| EFACT R00 1L35 ACC 24D BLU RS SF | 0.68 | 96271711 |
| EFACT R00 1L35 ACC 7D 832 AL SF | 0.64 | 96271571 |
| EFACT R00 1L35 ACC 7D 832 RS SF | 0.68 | 96271572 |
| EFACT R00 1L35 ACC 7D BLU AL SF | 0.64 | 96271567 |
| EFACT R00 1L35 ACC 7D BLU RS SF | 0.68 | 96271568 |
| EFACT R00 1L35 ACC 7D 840 AL SF | 0.64 | 96271575 |
| EFACT R00 1L35 ACC 7D 840 RS SF | 0.68 | 96271576 |

| Description | Wt (kg) | SAP Code |
|----------------------------------|---------|----------|
| E/Fact 0 LED Square | | |
| EFACT C0 1L50 SOFT 832 AL FR | 1.45 | 96271581 |
| EFACT C0 1L50 SOFT 832 RS FR | 1.51 | 96271582 |
| EFACT C0 1L50 SOFT 840 AL FR | 1.45 | 96271583 |
| EFACT C0 1L50 SOFT 840 RS FR | 1.51 | 96271584 |
| EFACT C0 1L50 SOFT BLU AL FR | 1.45 | 96271579 |
| EFACT C0 1L50 SOFT BLU RS FR | 1.51 | 96271580 |
| EFACT C0 3L50 ACC 22D 832 AL SF | 1.56 | 96271726 |
| EFACT C0 3L50 ACC 22D 832 RS SF | 1.51 | 96271727 |
| EFACT C0 3L50 ACC 22D 840 AL SF | 1.56 | 96271724 |
| EFACT C0 3L50 ACC 22D 840 RS SF | 1.51 | 96271725 |
| EFACT C0 3L50 ACC 22D BLU AL SF | 1.56 | 96271728 |
| EFACT C0 3L50 ACC 22D BLU RS SF | 1.51 | 96271729 |
| EFACT C0 3L50 ACC 9D 832 AL SF | 1.51 | 96271589 |
| EFACT C0 3L50 ACC 9D 832 RS SF | 1.56 | 96271590 |
| EFACT C0 3L50 ACC 9D 840 AL SF | 1.51 | 96271591 |
| EFACT C0 3L50 ACC 9D 840 RS SF | 1.56 | 96271592 |
| EFACT C0 3L50 ACC 9D BLU AL SF | 1.51 | 96271593 |
| EFACT C0 3L50 ACC 9D BLU RS SF | 1.56 | 96271594 |
| E/Fact 0 LED Round | | |
| EFACT R0 1L35 SOFT 832 AL EDO/W1 | 1.19 | 96272073 |
| EFACT R0 1L35 SOFT 832 AL EDO/W2 | 1.19 | 96272074 |
| EFACT R0 1L35 SOFT 840 AL EDO/W2 | 1.19 | 96272076 |
| EFACT R0 1L35 SOFT 840 AL EDO/W4 | 1.19 | 96272077 |
| EFACT R0 1L35 SOFT 832 AL EDO/W4 | 1.19 | 96272075 |
| EFACT R0 1L35 SOFT 840 AL EDO/W1 | 1.19 | 96272078 |
| EFACT R0 1L50 SOFT 832 AL FR | 1.22 | 96271630 |
| EFACT R0 1L50 SOFT 832 RS FR | 1.27 | 96271597 |
| EFACT R0 1L50 SOFT 840 AL FR | 1.22 | 96271598 |
| EFACT R0 1L50 SOFT 840 RS FR | 1.27 | 96271599 |
| EFACT R0 1L50 SOFT BLU AL FR | 1.22 | 96271595 |
| EFACT R0 1L50 SOFT BLU RS FR | 1.27 | 96271596 |
| EFACT R0 3L50 ACC 22D 832 AL SF | 1.28 | 96271718 |
| EFACT R0 3L50 ACC 22D 832 RS SF | 1.33 | 96271719 |
| EFACT R0 3L50 ACC 22D 840 AL SF | 1.28 | 96271720 |
| EFACT R0 3L50 ACC 22D 840 RS SF | 1.33 | 96271721 |
| EFACT R0 3L50 ACC 22D BLU AL SF | 1.28 | 96271722 |
| EFACT R0 3L50 ACC 22D BLU RS SF | 1.33 | 96271723 |
| EFACT R0 3L50 ACC 9D 832 AL SF | 1.28 | 96271604 |
| EFACT R0 3L50 ACC 9D 832 RS SF | 1.33 | 96271605 |
| EFACT R0 3L50 ACC 9D 840 AL SF | 1.28 | 96271606 |
| EFACT R0 3L50 ACC 9D 840 RS SF | 1.33 | 96271607 |
| EFACT R0 3L50 ACC 9D BLU AL SF | 1.28 | 96271608 |
| EFACT R0 3L50 ACC 9D BLU RS SF | 1.33 | 96271609 |

| Description | Wt (kg) | SAP Code |
|---------------------------------|---------|----------|
| E/Fact 1 LED Square | | |
| EFACT C1 4L50 SOFT 832 AL FR | 3.59 | 96271620 |
| EFACT C1 4L50 SOFT 832 RS FR | 3.72 | 96271621 |
| EFACT C1 4L50 SOFT 840 AL FR | 3.59 | 96271622 |
| EFACT C1 4L50 SOFT 840 RS FR | 3.72 | 96271623 |
| EFACT C1 4L50 SOFT BLU AL FR | 3.59 | 96271616 |
| EFACT C1 4L50 SOFT BLU RS FR | 3.72 | 96271617 |
| EFACT C1 5L90 ACC 8D 832 AL SF | 3.89 | 96271612 |
| EFACT C1 5L90 ACC 8D 832 RS SF | 4.02 | 96271613 |
| EFACT C1 5L90 ACC 8D BLU AL SF | 3.89 | 96271610 |
| EFACT C1 5L90 ACC 8D BLU RS SF | 4.02 | 96271611 |
| EFACT C1 5L90 ACC 28D 832 AL SF | 3.89 | 96271738 |
| EFACT C1 5L90 ACC 28D 832 RS SF | 4.02 | 96271739 |
| EFACT C1 5L90 ACC 28D 840 AL SF | 3.89 | 96271740 |
| EFACT C1 5L90 ACC 28D 840 RS SF | 4.02 | 96271741 |
| EFACT C1 5L90 ACC 28D BLU AL SF | 3.89 | 96271736 |
| EFACT C1 5L90 ACC 28D BLU RS SF | 4.02 | 96271737 |
| EFACT C1 5L90 ACC 8D 840 AL SF | 3.89 | 96271614 |
| EFACT C1 5L90 ACC 8D 840 RS SF | 4.02 | 96271615 |
| E/Fact 1 LED Round | | |
| EFACT R1 4L50 SOFT 832 AL FR | 2.99 | 96271634 |
| EFACT R1 4L50 SOFT 832 RS FR | 2.99 | 96271635 |
| EFACT R1 4L50 SOFT 840 AL FR | 2.99 | 96271636 |
| EFACT R1 4L50 SOFT 840 RS FR | 2.99 | 96271637 |
| EFACT R1 4L50 SOFT BLU AL FR | 2.99 | 96271632 |
| EFACT R1 4L50 SOFT BLU RS FR | 2.99 | 96271633 |
| EFACT R1 5L90 ACC 8D 832 AL SF | 3.29 | 96271626 |
| EFACT R1 5L90 ACC 8D 832 RS SF | 3.41 | 96271627 |
| EFACT R1 5L90 ACC 8D BLU AL SF | 3.29 | 96271624 |
| EFACT R1 5L90 ACC 8D BLU RS SF | 3.41 | 96271625 |
| EFACT R1 5L90 ACC 28D 832 AL SF | 3.29 | 96271732 |
| EFACT R1 5L90 ACC 28D 832 RS SF | 3.41 | 96271733 |
| EFACT R1 5L90 ACC 28D 840 AL SF | 3.29 | 96271734 |
| EFACT R1 5L90 ACC 28D 840 RS SF | 3.41 | 96271735 |
| EFACT R1 5L90 ACC 28D BLU AL SF | 3.29 | 96271730 |
| EFACT R1 5L90 ACC 28D BLU RS SF | 3.41 | 96271731 |
| EFACT R1 5L90 ACC 8D 840 AL SF | 3.29 | 96271628 |
| EFACT R1 5L90 ACC 8D 840 RS SF | 3.41 | 96271629 |

| Description | Wt (kg) | SAP Code |
|--------------------------------------|---------|----------|
| E/Fact LED holographic films | | |
| EFACT C0 LED HOLO FILM 60X1° | 0.45 | 96260412 |
| EFACT C0 LED HOLO FILM 60X60° | 0.45 | 96260413 |
| EFACT C0 LED HOLO FILM 75X45° | 0.45 | 96260414 |
| EFACT C1 LED HOLO FILM 60X1° | 0.95 | 96260418 |
| EFACT C1 LED HOLO FILM 60X60° | 0.95 | 96260419 |
| EFACT C1 LED HOLO FILM 75X45° | 0.95 | 96260420 |
| EFACT C2 LED HOLO FILM 60X1° | 0.95 | 96260424 |
| EFACT C2 LED HOLO FILM 60X60° | 0.95 | 96260425 |
| EFACT C2 LED HOLO FILM 75X45° | 0.95 | 96260426 |
| EFACT R1 LED HOLO FILM 60X1° | 0.95 | 96260421 |
| EFACT R1 LED HOLO FILM 60X60° | 0.95 | 96260422 |
| EFACT R1 LED HOLO FILM 75X45° | 0.95 | 96260423 |
| EFACT R2 LED HOLO FILM 60X1° | 0.95 | 96260427 |
| EFACT R2 LED HOLO FILM 60X60° | 0.95 | 96260428 |
| EFACT R2 LED HOLO FILM 75X45° | 0.95 | 96260429 |
| E/Fact Accessories | | |
| CON CABLE 3/3X1,5° IP67 ZUM | 0.10 | 60800549 |
| CONNECT CABLE 2/3X1,5°-4° TH390 IP68 | 0.05 | 96260809 |
| CONNECT CABLE 2/4X1,5°-4° TH391 IP68 | 0.05 | 96260810 |
| CONNECT CABLE BOX 3/4X2,5° IP67 | 0.40 | 96257908 |
| CONNECT CABLE BOX 4/6X2,5° IP67 | 0.77 | 96257909 |
| EFACT0 AL FRAME MCE KIT | 0.10 | 96272285 |
| EFACT00 AL FRAME MCE KIT | 0.10 | 96272284 |
| EFACT1 AL FRAME MCE KIT | 0.10 | 96272286 |
| EFACT2 AL FRAME MCE KIT | 0.10 | 96272287 |

To make reading our ordering guides easier please use the SAP description key fold out, inside the back cover. For more information please visit our website www.thornlighting.co.uk and simply search for our products.





www.thornlighting.co.uk/LINN
www.thornlighting.ie/LINN



- Modular design offers a wide range of lighting possibilities
- All integral in a compact body for easy integration with pre-ordered recessed housing
- Square or rectangular shape with a choice of four frame designs to complement all environments

MATERIALS/FINISH

Body: die-cast painted aluminium EN AB 47100 sanded grey Akzo Nobel 900

Glass: tempered glass, 6mm for square versions and 8mm for rectangular versions
Recessed housing: polypropylene 40% Talc added and polystyrene cores

Gasket: Dutral
Fits thread: EPDM
Screws: stainless steel

INSTALLATION/MOUNTING

Install the recessed housing inside the wall. Connect the light source to the mains supply. Fix the body to the recessed housing. Attach the Linn luminaire to the chosen frame with four Torx screws with central pin. Through wiring is possible for the rectangular versions.

SPECIFICATION

To specify state:

Modular wall recessed range for pathway lighting offering extensive choice including five light distributions, two LED colour temperatures (3200K and 4200K) and four frame designs (frosted glass, visor, baffle, grid and clear glass) in a square or rectangular shape. As Thorn Linn.

A complete LED modular wall recessed range offering extensive choice for all types of pathway lighting applications



ORDERING GUIDE

All Linn luminaires require recessed box to prepare the wall installation, to be ordered separately. If you need standard Allen screws instead of the Torx with central pin, order the code 96262922 or 96262927 depending on the Linn shape.

| Description | Wt (kg) | SAP Code | Cat. No. |
|----------------------------------|---------|----------|-----------|
| Linn Square body | | | |
| LINN SQ LED 2L35 832 | 0.30 | 96262124 | LN32K34S |
| LINN SQ LED 2L35 842 | 0.30 | 96262125 | LN42K34S |
| Linn Rectangular body | | | |
| LINN RCT LED 6L50 832 | 0.67 | 96262126 | LN32K115R |
| LINN RCT LED 6L50 842 | 0.67 | 96262127 | LN42K115R |
| Linn Performance versions | | | |
| LINN RCT LED 6L50 732 CL GL | 1.05 | 96262137 | LN32K11R |
| LINN RCT LED 6L50 742 CL GL | 1.05 | 96262138 | LN42K11R |
| Linn Square frames | | | |
| LINN SQ BAF FRAME | 0.21 | 96262131 | LNFSB |
| LINN SQ FR GL FRAME | 0.16 | 96262129 | LNFSF |
| LINN SQ GRID FRAME | 0.20 | 96262132 | LNFSGD |
| LINN SQ VISOR FRAME | 0.20 | 96262130 | LNFSV |
| Linn Rectangular frames | | | |
| LINN RCT BAF FRAME | 0.44 | 96262135 | LNFRB |
| LINN RCT FR GL FRAME | 0.36 | 96262133 | LNFRF |
| LINN RCT GRID FRAME | 0.47 | 96262136 | LNFRGD |
| LINN RCT VISOR FRAME | 0.44 | 96262134 | LNFRV |
| Linn Recessing boxes | | | |
| LINN ALLEN SCREWS X 4 | 0.20 | 96262922 | LN5SCRW4 |
| LINN RCT ALLEN SCREWS X 4 | 0.20 | 96262927 | LNRSRW4 |
| LINN RCT RBOX | 0.25 | 96262140 | LNRRB |
| LINN SQ RBOX | 0.11 | 96262139 | LNSRB |
| Linn Bollard | | | |
| LINN RCT BOLLARD EXTENSION | 4.35 | 96264336 | |
| LINN RCT BOLLARD GROUND BASE | 2.50 | 96264339 | |

To make reading our ordering guides easier please use the SAP description key fold out, inside the back cover. For more information please visit our website www.thornlighting.co.uk and simply search for our products.



Frosted glass frame version



Visor frame version



Performance version



Baffle frame version



Grid frame version



Ballard version

LAMPS



LED

11.3W

STANDARDS



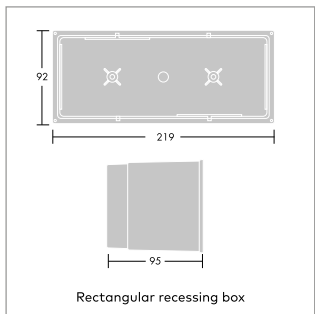
EN 60598

IP65

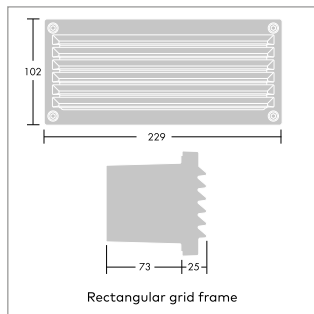
IK10

T_a35

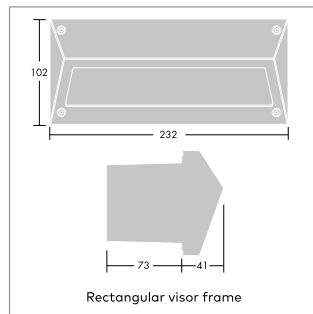
850 °C



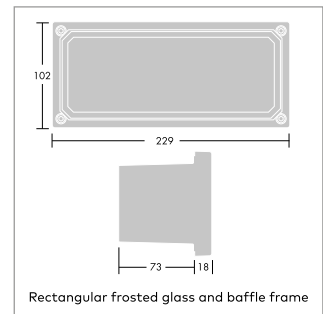
Rectangular recessing box



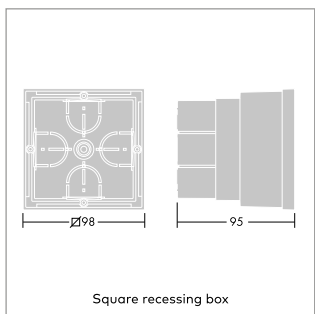
Rectangular grid frame



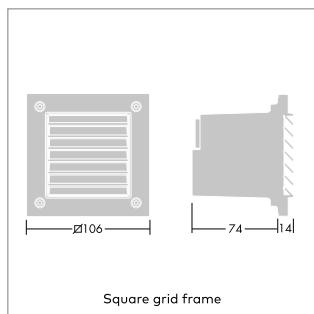
Rectangular visor frame



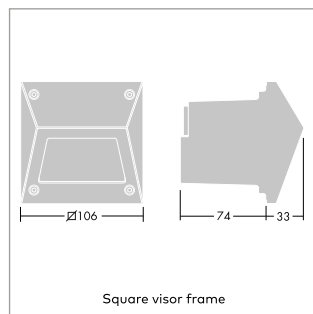
Rectangular frosted glass and baffle frame



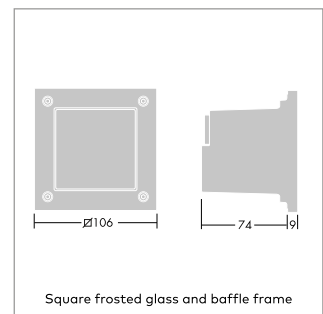
Square recessing box



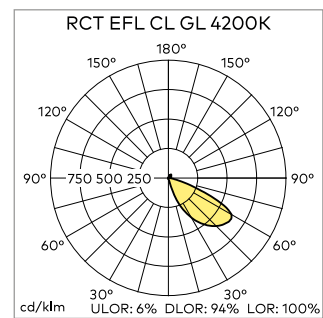
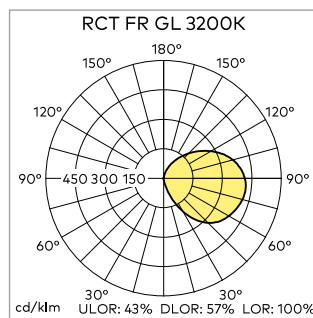
Square grid frame

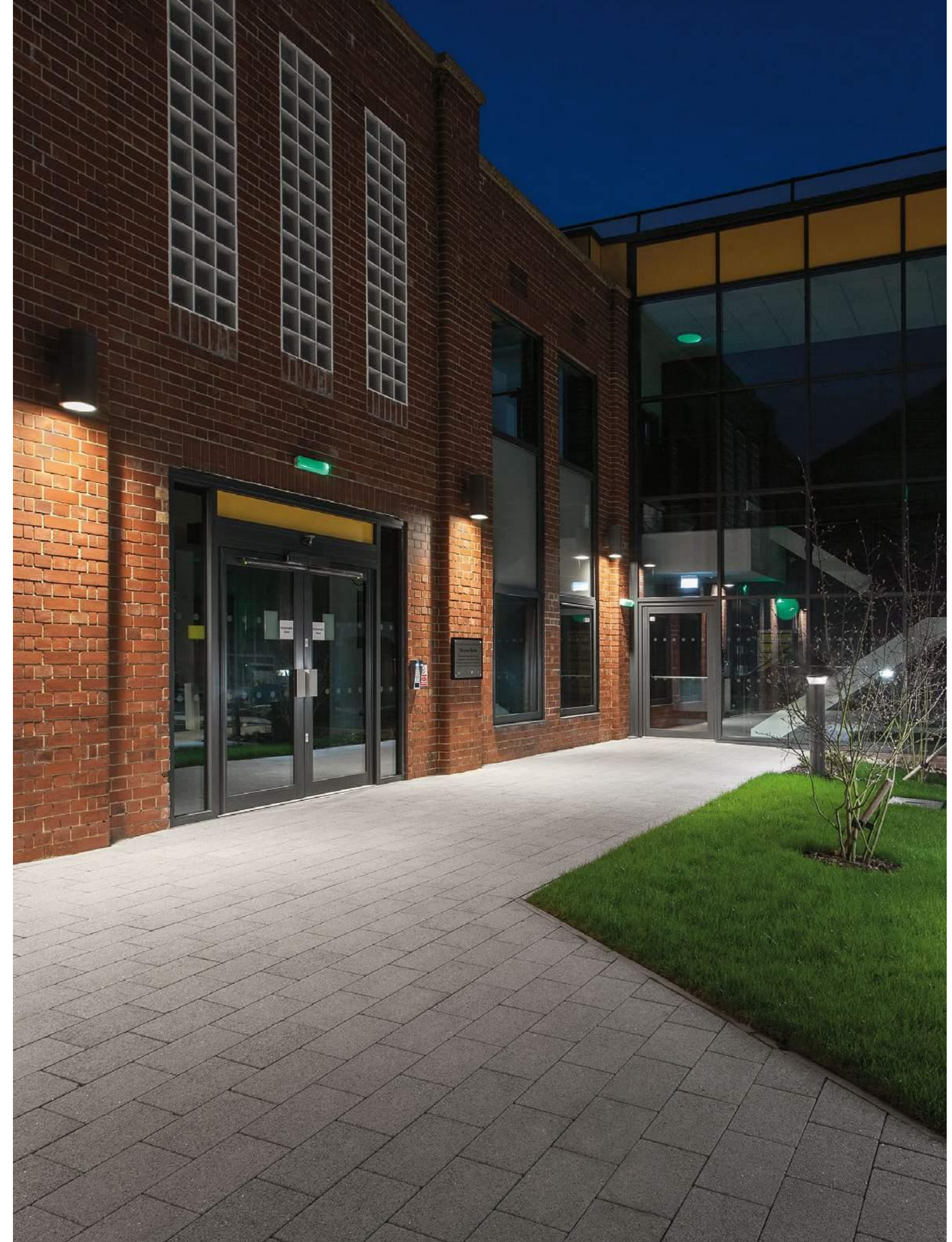


Square visor frame



Square frosted glass and baffle frame





Outdoor Lighting

SURFACE MOUNTED ARCHITECTURAL FLOODLIGHTING



108
Cesar



109
Cesar
Rectangular



110
Contrast 2 LED



114
Olsys Illumination



116
Satin 2



123
Vioo



www.thornlighting.co.uk/CESA
www.thornlighting.ie/CESA



LAMPS

LED 3W

STANDARDS

IP65 IK08

- Robust 'minimalist' luminaire with integral gear, for easy integration into any environment
- Adjustable positioning, reflectors, and lenses optimises light output and provides creative effects. Light effects via LEDs + holographic films or colour filters
- Easy installation with a single tool and automatic connection reduces installation time and cost

MATERIALS/FINISH

Body and frame: die-cast aluminium EN AN4700 and extruded ENAW 6060 housing (copper free) with high corrosion resistance and powdered painted close to RAL 9007 with corrosion resistance. Other RAL colours available on request. Reflector: pure aluminium. Front glass: toughened glass, thickness 6mm. Retaining screws: stainless steel. Gasket: silicone. Holographic films: non-yellowing polycarbonate

INSTALLATION/MOUNTING

Remove the mounting plate by unscrewing 2 Allen screws. Fix the plate to the wall with screws (not supplied). Connect the supply cable to the fast connector (supplied). Plug the fast connector and lock with the two Allen screws. Open the enclosure(s) by removing rings and glasses. Insert the correct lamp(s) and adjust them as required. Close the enclosure(s). Fast connectors for electrical connection, cable diameters: 8-12mm Supplied with fast connector. Cable diameters: 8-12mm Add holographic films under the glass with the structured side of the film in contact with the front glass. Rotate the film to obtain the required light effect.

SPECIFICATION

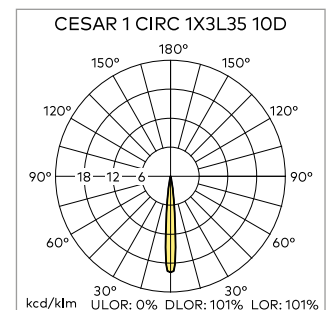
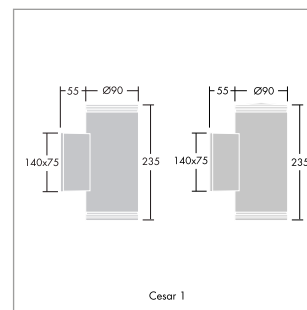
To specify state: Contemporary wall mounted floodlight for 3W LED IP65 protected, gear integrated, optional colour filters, frosted glass or louvre available as accessories. As Thorn Cesar

ORDERING GUIDE

Supplied complete with lamp(s)

| Description | Wt (kg) | SAP Code | Cat. No. |
|--|---------|----------|------------|
| Cesar Size 1 LED, downlight | | | |
| CESAR 1 CIRC 1X3L35 10D 760 | 1.72 | 96231435 | CS16K3D10 |
| CESAR 1 CIRC 1X3L35 10D 830 | 2.07 | 96260451 | |
| CESAR 1 CIRC 1X3L35 10D BU | 1.72 | 96231436 | CS1B3D10 |
| CESAR 1 CIRC 1X3L35 10D GN | 1.72 | 96231437 | CS1G3D10 |
| CESAR 1 CIRC 1X3L35 10D RD | 1.72 | 96231438 | CS1R3D10 |
| CESAR 1 CIRC 1X3L35 10D YE | 1.72 | 96231439 | CS1Y3D10 |
| Cesar Size 1 LED, up/downlight | | | |
| CESAR 1 CIRC 2X3L35 10D BU | 1.94 | 96231453 | CS1B3UD10 |
| CESAR 1 CIRC 2X3L35 10D GN | 1.94 | 96231454 | CS1G3UD10 |
| CESAR 1 CIRC 2X3L35 10D RD | 1.94 | 96231455 | CS1R3UD10 |
| CESAR 1 CIRC 2X3L35 10D YE | 1.94 | 96231456 | CS1Y3UD10 |
| CESAR 1 CIRC 2X3L35 10D 760 | 1.94 | 96231452 | CS16K3UD10 |
| CESAR 1 CIRC 2X3L35 10D 830 | 2.30 | 96260452 | |
| Cesar Accessories | | | |
| CESAR 1 CIRC FILTER BLU | 0.09 | 96231457 | CS1BF |
| CESAR 1 CIRC FILTER FR | 0.09 | 96231461 | CS1FF |
| CESAR 1 CIRC FILTER GRN | 0.09 | 96231458 | CS1GF |
| CESAR 1 CIRC FILTER RED | 0.09 | 96231459 | CS1RF |
| CESAR 1 CIRC FILTER YEL | 0.09 | 96231460 | CS1YF |
| CESAR 1 CIRC RX GL EXT | 0.03 | 96251771 | |
| CESAR 1 CIRC RX LR1 | 0.04 | 96251773 | |
| MICASLIMSS/CESAR1CIRC LED HOLOFILM60X1° | 0.45 | 96260430 | MCSS1 |
| MICASLIMSS/CESAR1CIRC LED HOLOFILM60X60° | 0.45 | 96260431 | MCSS60 |
| MICASLIMSS/CESAR1CIRC LED HOLOFILM75X45° | 0.45 | 96260432 | MCSS45 |

To make reading our ordering guides easier please use the SAP description key fold out, inside the back cover. For more information please visit our website www.thornlighting.co.uk and simply search for our products.



Cesar

Rectangular



www.thornlighting.co.uk/CESR
www.thornlighting.ie/CESR



- Compact, minimalist rectangular body easily integrates with indoor and outdoor façades
- Choice of 2 light effects for up/down installation in 2 colour temperatures
- All integral in a compact body
- Additional fixing plate for side wire entry when drilling through the wall is not possible

MATERIALS/FINISH

Body: die-cast aluminium EN AB 47100 painted dark sanded grey close to RAL 7043
 Front glass: tempered glass, 4mm thick
 Fixing plate: polycarbonate
 Fixing plate accessory: galvanised steel, painted dark sanded grey
 Gasket: silicon
 Screws: stainless steel

INSTALLATION/MOUNTING

Suitable for surface mounting on interior and exterior walls. Secure the polycarbonate fixing plate to the facade with 2 screws. Connect the mains supply to the connector. Finally complete Cesar with the aluminium body part via 4 grub screws. Possibility of through wiring installation.

SPECIFICATION

To specify state:
 Compact rectangular floodlight range for soft light effects on walls with 2 white colour temperatures and choice of 2 versions.
 As Thorn Cesar Rectangular.

Compact LED floodlight providing outdoor and indoor wall light effects

LAMPS

LED 8-17W

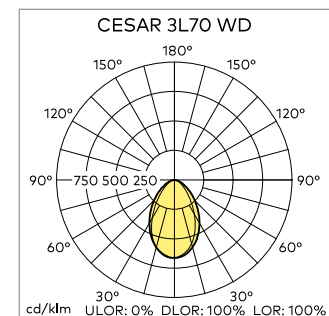
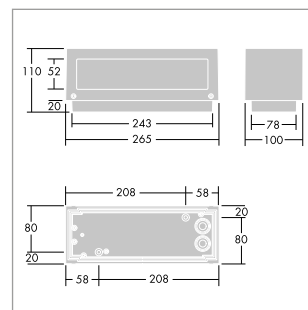
STANDARDS

ORDERING GUIDE

Supplied complete with LEDs

| Description | Wt (kg) | SAP Code |
|----------------------------|---------|----------|
| Cesar Rectangular | | |
| CESAR RECT 3L70 1WD 832 | 2.10 | 96268564 |
| CESAR RECT 3L70 1WD 840 | 2.10 | 96264341 |
| CESAR RECT 6L70 2WD 832 | 2.20 | 96268563 |
| CESAR RECT 6L70 2WD 840 | 2.20 | 96264340 |
| CESAR RECT METAL FIX PLATE | 0.40 | 96268565 |

To make reading our ordering guides easier please use the SAP description key fold out, inside the back cover. For more information please visit our website www.thornlighting.co.uk and simply search for our products.



Contrast 2

LED



www.thornlighting.co.uk/CON2
www.thornlighting.ie/CON2



A compact architectural floodlight range combining high output LEDs of predefined beams offering complete flexibility



- Innovative, compact design with integral gear for the medium and large sizes (static or dynamic versions). Small versions use remote gear boxes
- Exceptional modularity with LED colours, light distributions, accessories and light outputs in three body sizes
- Manual dimming on monochromatic versions (Medium and Large) and DMX controls on RGB versions for a variety of lighting effects
- All small versions are MENA compliant. Medium and Large MENA versions are indicated by KIT description. All bodies are up to 50°C, all MENA versions are remote gear boxed
- Versions in all sizes with remote gear boxes are available on request to support countries with temperatures of use of 50°C

MATERIAL/FINISH

Body: Die-cast painted aluminium EN AC 47100 DF sanded, silver grey 150
Glass: tempered glass, 4mm thick
Gasket: EPDM
Screws: stainless steel
Medium and Large high temperature bodies are pre-wired with 1.5m cable.
Connection boxes for:
1 to 2 Small: Die-cast painted aluminium EN AC 44100 KF sanded silver grey 150
Gasket: EPDM
Screws: stainless steel
1 to 4 Small or 1 Small RGB: Die-cast painted EN AB 47100 aluminium sanded silver grey 150
Gasket: rubber/neoprene
Screws: stainless steel
Holographic films:
Frame: Die-cast painted aluminium EN AC 44100 KF sanded silver grey 150
Film: PC sheet (2mm) plus PC holographic film (0,27mm)

INSTALLATION/MOUNTING

Floodlight is fully adjustable on a stirrup. Stirrup fixed to mount by central bolt through Ø15mm hole and 2 x Ø8mm holes for the medium and large size. Small versions fixed via central bolt hole Ø15mm and 1 x Ø8mm hole. Aiming simplified by indicator on stirrup, locked via central Ø6mm Allen screw for all sizes. Easy installation of maximum 2 accessories: holographic films plus visor or holographic films plus glare shield for medium and large sizes. Holographic films plus visor for the small size. No glare shield for the small version.

Small

Remote gear box for the monochromatic and RGB DMX small versions. Entry via 4 Allen screws on the gear box for up to 2 small floodlights and via 6 screws on the gear box for up to 4 small floodlights.

Small monochromatic: Pre-wired with H07RNF cable, 1.5m long.
Small RGB DMX: Pre-wired with H07RNF cable, 1.5m long.
Gear box for 2 small monochromatic: 4 cable glands including through wiring.
Gear box for 4 small monochromatic: 6 cable glands including through wiring.
Gear box for 1 small RGB DMX: 5 cable glands for through wiring mains and DMX.

Cable glands for Ø8-13mm cable. Attachments and ground recessed boxes available. No LED module replacement.

Medium and Large

Easy access to power supply on the product rear for monochromatic medium and large sizes and manual potentiometer adjustment. Entry via 3 Allen screws. Easy access to power supply and DMX card on the product rear for RGB DMX medium and large sizes. Entry via 3 Allen screws. Medium monochromatic: 2 cable glands for through wiring.
Medium RGB DMX: 3 cable glands. 2 for DMX IN/OUT and one for mains to enter.
Large monochromatic: 2 cable glands for through wiring.
Large RGB DMX: 4 cable glands. 2 for DMX IN/OUT and 2 for mains IN/OUT.

Light distribution


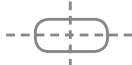

A choice of pre-defined light beams, circular, symmetrical or asymmetrical. Standard beam angles range from 8° to 50°x50° for the Medium and Large sizes. Small angles are 12°, 32° and 44x12°.

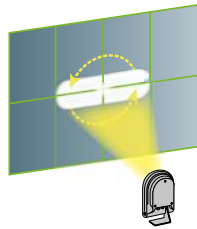
Standard versions: Small and Medium versions available in whites (3000K and 4000K), colours (R, G and B) and RGB DMX. Amber, 2700K and 6000K on request.

Large versions available in whites (3000K, 4000K and 6000K) and RGB DMX versions. Other colours: R, G, B, A and 2700K on request. For all sizes, RGBW, RGBA or tunable whites are on request.

Light distribution with Holographic films

- A choice of light shaping holographic films and accessories to create a range of static or dynamic lighting effects with minimal light loss and glare (see below)
- Holographic films available in 1x60°, 5x30° and 60x60°.
- Standard Monochromatic Medium and Large size floodlights have an integral user-adjustable control to vary light output on site
- We recommend using holographic films with circular light beams. It is more efficient to install a holographic on an intensive light beam. The wider the light beam the less efficient the flux value and light effect.

| Light distribution shape | Beam angles | |
|---|-------------|---------------------------|
| | Small | Medium/Large |
| Circular  | 12° | 8° |
| | 32° | 24° |
| | - | 36° |
| Elliptical  | 44 x 12° | 8 x 16° |
| Asymmetrical  | - | 50 x 50° 30° deviation |



LAMPS

 LED LED 8-88W




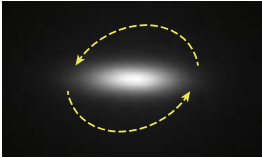
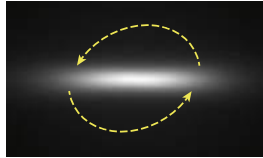




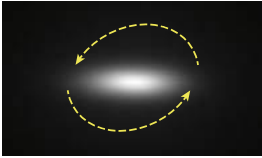
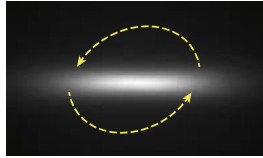




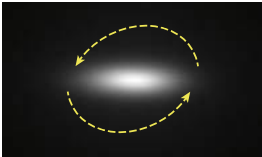
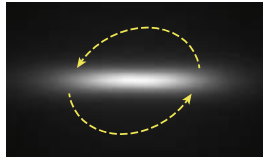

STANDARDS










| | | | | | |
|---|---|---|---|--|---|
|  |  |  |  |  |  |
| Small version | 12° | | 12° + 5 x 30° holographic film | 12° + 1 x 60° holographic film | 12° + 60 x 60° holographic film |
|  |  |  |  |  |  |
| Medium version | 8° | | 8° + 5 x 30° holographic film | 8° + 1 x 60° holographic film | 8° + 60 x 60° holographic film |
|  |  |  |  |  |  |
| Large version | 8° | | 8° + 5 x 30° holographic film | 8° + 1 x 60° holographic film | 8° + 60 x 60° holographic film |

Contrast 2

LED



www.thornlighting.co.uk/CON2
www.thornlighting.ie/CON2

ORDERING GUIDE

Standard versions.

Small:

Small versions delivered without gear box. For small monochromatic versions, two gear box type possibilities are provided: one for up to 2 small units and one for up to 4 small units.

The white versions are driven by 1A and the coloured monochromatic versions are driven by 0.7A.

Please select the correct connection box version when ordering.

For small RGB DMX versions, you need to order the power supply/DMX gear box SAP code 96261426.

Medium and large:

Medium and large sizes delivered complete with power supply for monochromatic versions and power supply/DMX card for the RGB DMX versions. Other RGBW, RGBA and tunable white versions available on request. DALI versions on request. Other RAL on request. Other light distributions on request.

High ambient temperature versions:

(Please contact your local sales representative).

With this option, all products are with remote gear box. No manual dimming with potentiometer for high ambient temperature versions with remote gear. Can be used at 50°C with the remote gear box at 35°C. For the white versions, same flux output for the medium versions compared to standard versions and less flux output for the large versions. For the LED colours other than white, same flux for the standard and high ambient temperature versions.

High ambient temperature versions.

Small:

See above

Medium and large:

Bodies delivered complete pre-wired with 1.5m cable.

| Description | Wt (kg) | SAP Code | Cat. No. |
|--|---------|----------|------------|
| Contrast 2 LED Small, monochromatic | | | |
| CONTRAST 2 LED S 4L70 R/S 12° RD NG | 0.77 | 96263250 | CT2SR12 |
| CONTRAST 2 LED S 4L70 R/S 32° RD NG | 0.77 | 96263251 | CT2SR32 |
| CONTRAST 2 LED S 4L70 S/S 44X12° RD NG | 0.77 | 96263252 | CT2SR4412 |
| CONTRAST 2 LED S 4L70 R/S 12° BU NG | 0.77 | 96263256 | CT2SB12 |
| CONTRAST 2 LED S 4L70 R/S 12° GN NG | 0.77 | 96263253 | CT2SG12 |
| CONTRAST 2 LED S 4L70 R/S 32° BU NG | 0.77 | 96263257 | CT2SB32 |
| CONTRAST 2 LED S 4L70 R/S 32° GN NG | 0.77 | 96263254 | CT2SG32 |
| CONTRAST 2 LED S 4L70 S/S 44X12° BU NG | 0.77 | 96263258 | CT2SB4412 |
| CONTRAST 2 LED S 4L70 S/S 44X12° GN NG | 0.77 | 96263255 | CT2SG4412 |
| CONTRAST 2 LED S 4L105 R/S 12° 830 NG | 0.77 | 96261327 | CT2S3K12 |
| CONTRAST 2 LED S 4L105 R/S 12° 840 NG | 0.77 | 96263247 | CT2S4K12 |
| CONTRAST 2 LED S 4L105 R/S 32° 830 NG | 0.77 | 96261329 | CT2S3K32 |
| CONTRAST 2 LED S 4L105 R/S 32° 840 NG | 0.77 | 96263248 | CT2S4K32 |
| CONTRAST 2 LED S 4L105 S/S 44X12° 830 NG | 0.77 | 96261330 | CT2S3K4412 |
| CONTRAST 2 LED S 4L105 S/S 44X12° 840 NG | 0.77 | 96263249 | CT2S4K4412 |
| Contrast 2 LED Small, monochromatic connection box and power supply | | | |
| CONTRAST 2 LED S 2X4L105 CBOX GT WHITE | 1.50 | 96261425 | CT2S21CBX |
| CONTRAST 2 LED S 2X4L70 CBOX GT MONO | 1.50 | 96261898 | CT2S27CBX |
| CONTRAST 2 LED S 4X4L105 CBOX GT WHITE | 1.30 | 96261427 | CT2S41CBX |
| CONTRAST 2 LED S 4X4L70 CBOX GT MONO | 1.30 | 96261899 | CT2S47CBX |
| Contrast 2 LED Small, RGB bodies | | | |
| CONTRAST 2 LED S 4L70 R/S 12° RGB NG | 0.77 | 96261328 | CT2S12 |
| CONTRAST 2 LED S 4L70 R/S 32° RGB NG | 0.77 | 96263259 | CT2S32 |
| CONTRAST 2 LED S 4L70 S/S 44X12° RGB NG | 0.77 | 96263260 | CT2S4412 |
| Contrast 2 LED Small, RGB DMX connection box and power supply | | | |
| CONTRAST 2 LED S CBOX GT RGB DMX | 1.30 | 96261426 | CT2SXCXB |
| Contrast 2 LED Small, accessories | | | |
| CONTRAST 2 LED S LR 1X60° | 0.12 | 96261861 | CT2S160 |
| CONTRAST 2 LED S LR 5X30° | 0.12 | 96261862 | CT2S560 |
| CONTRAST 2 LED S LR 60X60° | 0.12 | 96261860 | CT2S6060 |
| CONTRAST 2 LED S VISOR | 0.06 | 96261859 | CT2SV |

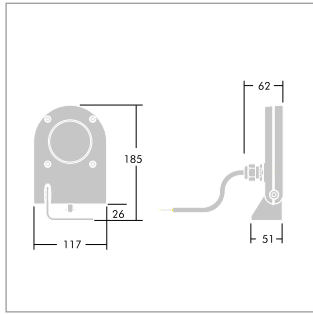
A compact architectural floodlight range combining high output LEDs of predefined beams offering complete flexibility

| Description | Wt (kg) | SAP Code | Cat. No. |
|---|---------|----------|---------------|
| Contrast 2 LED Medium, monochromatic | | | |
| CONTRAST 2 LED M 12L70 A/S RD | 3.91 | 96263232 | CT2MR255050 |
| CONTRAST 2 LED M 12L70 R/S 24° RD | 3.91 | 96263229 | CT2MR2524 |
| CONTRAST 2 LED M 12L70 R/S 36° RD | 3.91 | 96263230 | CT2MR2536 |
| CONTRAST 2 LED M 12L70 R/S 8° RD | 3.91 | 96263228 | CT2MR258 |
| CONTRAST 2 LED M 12L70 S/S 8X16° RD | 3.91 | 96263231 | CT2MR25816 |
| CONTRAST 2 LED M 12L70 A/S BU | 3.91 | 96263242 | CT2MB355050 |
| CONTRAST 2 LED M 12L70 A/S GN | 3.91 | 96263237 | CT2MG355050 |
| CONTRAST 2 LED M 12L70 R/S 24° BU | 3.91 | 96263239 | CT2MB3524 |
| CONTRAST 2 LED M 12L70 R/S 24° GN | 3.91 | 96263234 | CT2MG3524 |
| CONTRAST 2 LED M 12L70 R/S 36° BU | 3.91 | 96263240 | CT2MB3536 |
| CONTRAST 2 LED M 12L70 R/S 36° GN | 3.91 | 96263235 | CT2MG3536 |
| CONTRAST 2 LED M 12L70 R/S 8° BU | 3.91 | 96263238 | CT2MB358 |
| CONTRAST 2 LED M 12L70 R/S 8° GN | 3.91 | 96263233 | CT2MG358 |
| CONTRAST 2 LED M 12L70 S/S 8X16° BU | 3.91 | 96263241 | CT2MB35816 |
| CONTRAST 2 LED M 12L70 S/S 8X16° GN | 3.91 | 96263236 | CT2MG35816 |
| CONTRAST 2 LED M 12L105 A/S 830 | 3.91 | 96261336 | CT2M3K455050 |
| CONTRAST 2 LED M 12L105 A/S 840 | 3.91 | 96263227 | CT2M4K455050 |
| CONTRAST 2 LED M 12L105 R/S 24° 830 | 3.91 | 96261333 | CT2M3K4524 |
| CONTRAST 2 LED M 12L105 R/S 24° 840 | 3.91 | 96263224 | CT2M4K4524 |
| CONTRAST 2 LED M 12L105 R/S 36° 830 | 3.91 | 96261334 | CT2M3K4536 |
| CONTRAST 2 LED M 12L105 R/S 36° 840 | 3.91 | 96263225 | CT2M4K4536 |
| CONTRAST 2 LED M 12L105 R/S 8° 830 | 3.91 | 96261331 | CT2M3K458 |
| CONTRAST 2 LED M 12L105 R/S 8° 840 | 3.91 | 96263223 | CT2M4K458 |
| CONTRAST 2 LED M 12L105 S/S 8X16° 830 | 3.91 | 96261335 | CT2M3K45816 |
| CONTRAST 2 LED M 12L105 S/S 8X16° 840 | 3.91 | 96263226 | CT2M4K45816 |
| Contrast 2 LED Medium, RGB DMX | | | |
| CONTRAST 2 LED M 12L70 R/S 24° RGB DMX | 3.91 | 96263243 | CT2M4024 |
| CONTRAST 2 LED M 12L70 R/S 36° RGB DMX | 3.91 | 96263244 | CT2M4036 |
| CONTRAST 2 LED M 12L70 R/S 8° RGB DMX | 3.91 | 96261332 | CT2M408 |
| CONTRAST 2 LED M 12L70 S/S 8X16° RGB DMX | 3.91 | 96263245 | CT2M40816 |
| CONTRAST 2 LED M 12L70 A/S RGB DMX | 3.91 | 96263246 | CT2M405050 |
| Contrast 2 LED Medium, accessories | | | |
| CONTRAST 2 LED M LR 1X60° | 0.26 | 96261857 | CT2M160 |
| CONTRAST 2 LED M LR 5X30° | 0.26 | 96261858 | CT2M530 |
| CONTRAST 2 LED M LR 60X60° | 0.26 | 96261856 | CT2M060 |
| CONTRAST 2 LED M LV | 0.08 | 96261855 | CT2MLV |
| CONTRAST 2 LED M VISOR | 0.21 | 96261854 | CT2MV |
| Contrast 2 LED Large, monochromatic | | | |
| CONTRAST 2 LED L 36L105 A/S 757 | 7.55 | 96263211 | CT2L6K1255050 |
| CONTRAST 2 LED L 36L105 A/S 830 | 7.55 | 96261342 | CT2L3K1255050 |
| CONTRAST 2 LED L 36L105 A/S 840 | 7.55 | 96263206 | CT2L4K1255050 |
| CONTRAST 2 LED L 36L105 R/S 24° 757 | 7.55 | 96263208 | CT2L6K12524 |
| CONTRAST 2 LED L 36L105 R/S 24° 830 | 7.55 | 96261329 | CT2L3K12524 |
| CONTRAST 2 LED L 36L105 R/S 36° 757 | 7.55 | 96263209 | CT2L6K12536 |
| CONTRAST 2 LED L 36L105 R/S 36° 830 | 7.55 | 96261340 | CT2L3K12536 |
| CONTRAST 2 LED L 36L105 R/S 36° 840 | 7.55 | 96263204 | CT2L4K12536 |
| CONTRAST 2 LED L 36L105 R/S 8° 757 | 7.55 | 96263207 | CT2L6K1258 |
| CONTRAST 2 LED L 36L105 R/S 8° 830 | 7.55 | 96261337 | CT2L3K1258 |
| CONTRAST 2 LED L 36L105 R/S 8° 840 | 7.55 | 96261919 | CT2L4K1258 |
| CONTRAST 2 LED L 36L105 S/S 8X16° 757 | 7.55 | 96263210 | CT2L6K125816 |
| CONTRAST 2 LED L 36L105 S/S 8X16° 830 | 7.55 | 96261341 | CT2L3K125816 |
| CONTRAST 2 LED L 36L105 S/S 8X16° 840 | 7.55 | 96263205 | CT2L4K125816 |
| CONTRAST 2 LED L 36L105 R/S 24° 840 | 7.55 | 96263203 | CT2L4K12524 |
| Contrast 2 LED Large, RGB DMX | | | |
| CONTRAST 2 LED L 36L70 A/S RGB DMX | 7.55 | 96263215 | CT2L955050 |
| CONTRAST 2 LED L 36L70 R/S 24° RGB DMX | 7.55 | 96263212 | CT2L9524 |
| CONTRAST 2 LED L 36L70 R/S 36° RGB DMX | 7.55 | 96263213 | CT2L9536 |
| CONTRAST 2 LED L 36L70 R/S 8° RGB DMX | 7.55 | 96261338 | CT2L958 |
| CONTRAST 2 LED L 36L70 S/S 8X16° RGB DMX | 7.55 | 96263214 | CT2L95816 |
| Contrast 2 LED Large, accessories | | | |
| CONTRAST 2 LED L LR 1X60° | 0.49 | 96261852 | CT2L160 |
| CONTRAST 2 LED L LR 5X30° | 0.49 | 96261853 | CT2L530 |
| CONTRAST 2 LED L LR 60X60° | 0.49 | 96261851 | CT2L6060 |
| CONTRAST 2 LED L LV | 0.17 | 96261850 | CT2LLV |
| CONTRAST 2 LED L VISOR | 0.43 | 96261849 | CT2LV |

To make reading our ordering guides easier please use the SAP description key fold out, inside the back cover. For more information please visit our website www.thornlighting.com and simply search for our products.

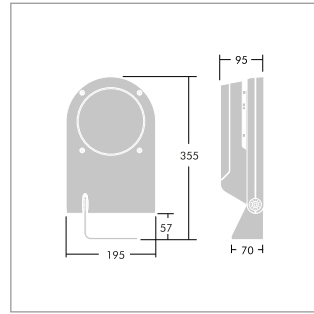
Small versions

Standard and high ambient temperatures



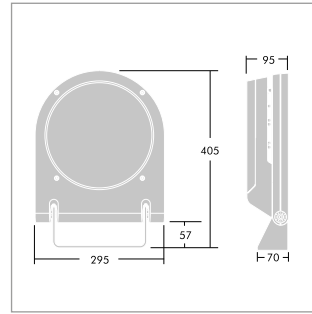
Medium versions

Standard

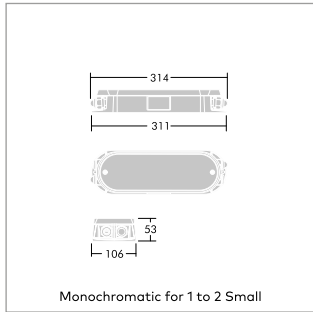


Large versions

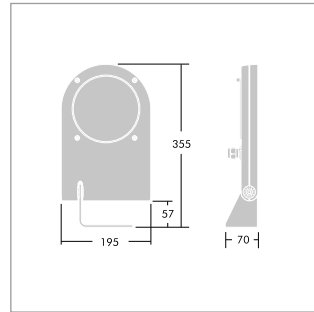
Standard



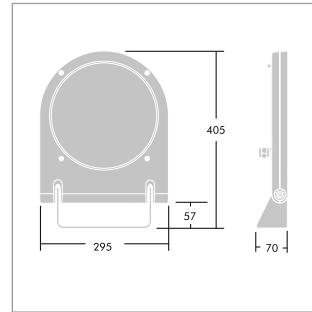
Power supply boxes



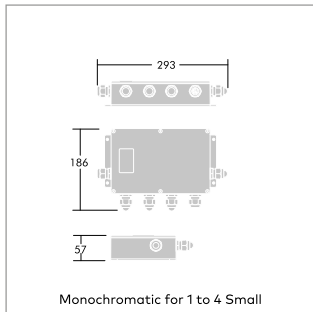
High ambient temperature



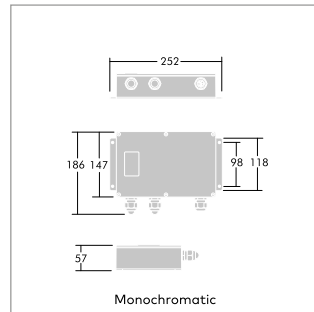
High ambient temperature



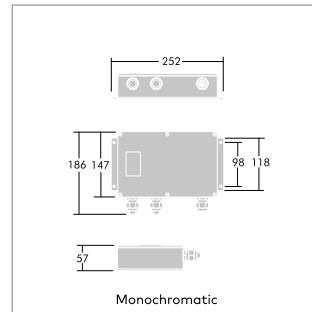
Power supply boxes



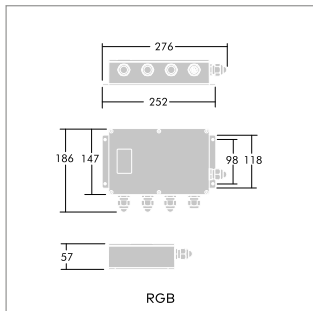
Power supply boxes



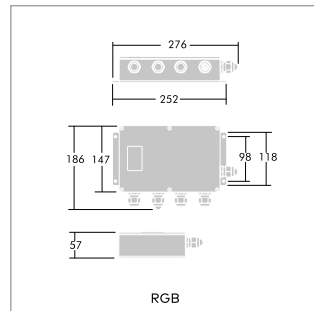
Power supply boxes



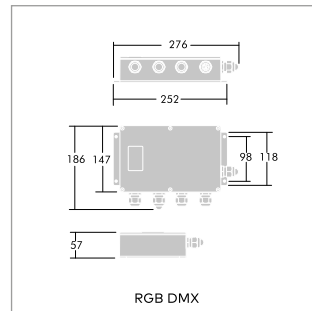
Power supply boxes



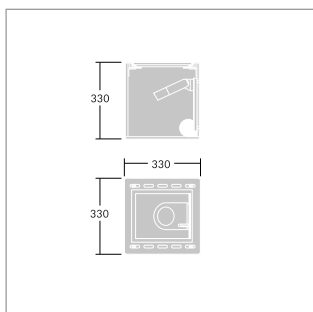
Power supply boxes



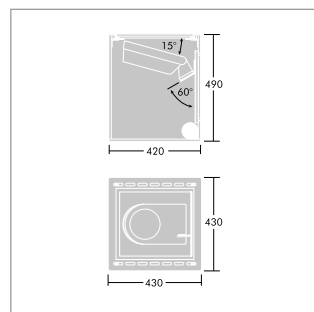
Power supply boxes



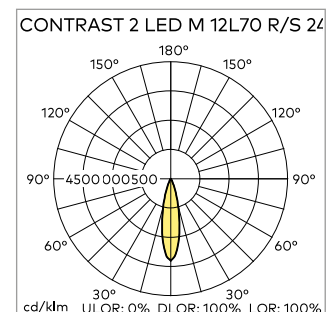
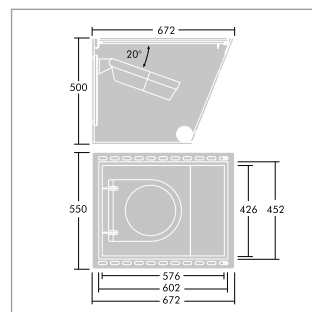
Recessed boxes



Recessed boxes



Recessed boxes





www.thornlighting.co.uk/OSYI
www.thornlighting.ie/OSYI



Discreet, durable and efficient
LED floodlight for creating
decorative lighting effects



- No accessories required for the decorative lighting effects
- $-90^{\circ}/+90^{\circ}$ tilt ensures you can place light exactly where you want it
- Exceptionally low cost of ownership with an optimised heat management system to provide a lifetime up to 80,000 hours (L70, 25°)
- Extremely durable full die-cast aluminium and IP66/IK08 rated package, complete with 10Kv surge protection

MATERIALS/FINISH

Body: die-cast aluminium (AS9U)
powder coated silver grey 9006
Enclosure: clear UV stabilised PC
Optics: PC
Screws: stainless steel

INSTALLATION/MOUNTING

Delivered ready to install for wall mounting, knock out on the side of the base for cabling when it is not integrated within the wall. For ground and bracket installations, please order separately the spike. Possibility to post top mount with Olsys street accessories. Delivered with factory fitted integral gear, all supplied in one box. Maintenance: access to gear (replaceable) via 4 screws from the canopy.

SPECIFICATION

To specify state:
IP66 24/45W (up to 3540Lm) LED floodlight with intensive distribution for wall or ground mounting.
As Thorn Olsys illumination.



Ground or wall mounting



Post mounting



Beam effect



-90/+90° tilting



Optics

LAMPS

LED

47W

STANDARDS



EN 60598



IP66

IK08

T_a50

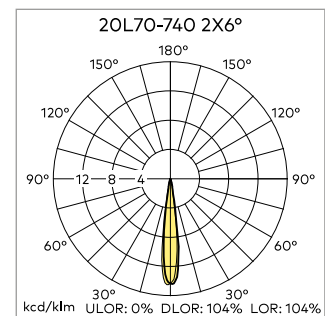
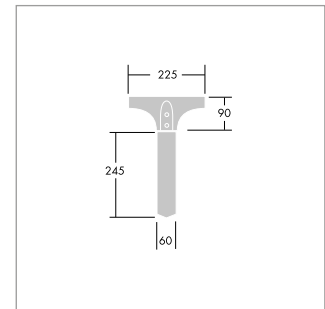
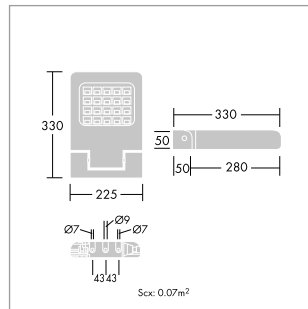


ORDERING GUIDE

Supplied complete with LEDs.
For spike fixation, please order the mounting attachment.

| Description | Wt (kg) | SAP Code |
|---------------------------|---------|----------|
| Olsys 1 illum | | |
| OLSYS1 20L70-730 2X6° CL2 | 2.80 | 96274081 |
| OLSYS1 20L70-740 2X6° CL1 | 2.80 | 96274084 |
| OLSYS1 20L70-740 2X6° CL2 | 2.80 | 96274085 |

To make reading our ordering guides easier please use the SAP description key fold out, inside the back cover. For more information please visit our website www.thornlighting.co.uk and simply search for our products.



Satin 2

A discreet linear LED floodlight range offering extensive static/dynamic illumination choice and flexibility



www.thornlighting.co.uk/SAT2
www.thornlighting.ie/SAT2



- Compact body with integral power supply for monochromatic and RGBW versions
- Exceptional flexibility with a choice of LED colours, light distributions, lengths and installation possibilities
- Side by side installation for a uniform light beam

MATERIALS/FINISH

Standard versions
Body: extruded aluminium (EN AW-6060 T6), painted textured silver grey
Side: grey polycarbonate
Enclosure: UV stabilised polycarbonate
Stirrups: powder coated stainless steel and powder coated galvanised steel
Glue: 1 component silicon adhesive
Cable: 1m of H05RNF (2x1mm²) for mains connections 1m of DMX512 cable for DMX versions

Connection box monochromatic: extruded aluminium (EN AW-6060 T6), painted textured silver grey
Gasket: silicon
Screws: stainless steel
Cable glands: brass

Connection box RGBW: die-cast aluminium (EN AB-47100), painted textured silver grey
Gasket: rubber/neoprene
Screws: stainless steel

Ground recessed box:
Box: fibre/cement 10mm
Frame: stainless steel (304L)
Glass: tempered security glass 10mm

INSTALLATION/MOUNTING

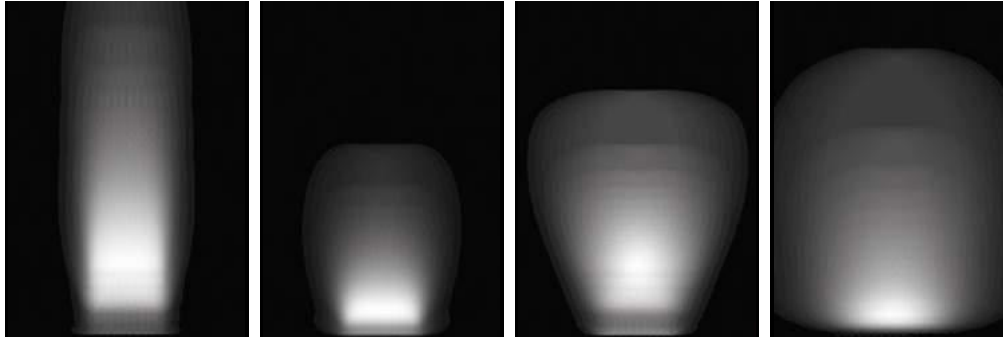
Standard versions
Suitable for surface and ground recessed box mounting on two fully adjustable stirrups. Fix the stirrups (delivered in a separate bag) to a surface or on a wall with the 8mm diameter surface mounting bracket. The corresponding part of the stirrup is pre-installed on the Satin 2 body. The stirrups can slide along the body for adjustments in front of the first stirrup part. Assemble the 2 stirrups with the 2 screws. Make the angle adjustment and tighten the screws. Connect the products together with connectors.

All standard versions are pre-wired with H05RNF cable 1m long for mains. One cable gland for IN versions and two cable glands for IN/OUT versions. The OUT mains wire has a plastic cap to avoid injuries. This cap needs to be cut before through wiring installation. RGBW versions have DMX512 cable 1m long in addition to the mains cable. Two cable glands for IN versions (one for the DMX IN and one for the mains IN) and four cable glands for IN/OUT versions (two for the DMX IN & OUT and two for the mains IN & OUT).

Attachments to mount Satin 2 side by side and ground recessed boxes are available.
No LED module replacement.
Ground recessed box
IK10
Static load: 500kg
Adjustments: from 0 to 25°
Closing: anti-vandal clips

Four light distribution variants available in four lengths

Wall: width 2m, height 3m, position Satin 2: 9cm wall distance (12°, 32° and 12 x 44° versions) or 25cm distance from the wall (asymmetrical) - angle 0°

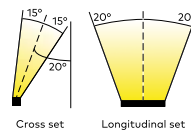
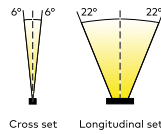
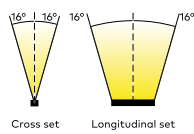
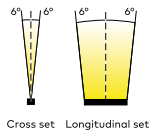


Light distribution
Narrow spot 12°

Light distribution
Narrow spot 32°

Light distribution elliptical
T12°x L44°

Asymmetrical beam



LAMPS

LED

11-57W

STANDARDS

CE EN 60598 IP67 IK08 T_a25 850°C

SPECIFICATION

To specify state:

Compact linear floodlight range for static or dynamic illumination applications with choice of four lengths (330/430mm, 630mm, 930mm and 1230mm), four light distributions (12°, 12x44°, 32° and asymmetric), six LED colours (Red, Green, Blue, 3000K, 4000K and RGBW), two installation types (surface and ground recessed box) and through wiring or end of line versions. 5700K, amber and dimmable white versions on request. As Thorn Satin 2.

ORDERING GUIDE

Standard versions

Satin 2 delivered complete with stirrups and integral power supply for the static versions and with integral power supply DMX card for the dynamic versions. Order IN/OUT versions for through wiring and 1 IN to finish the product line.

Connectors to be ordered separately. For a working static monochromatic Satin 2 installation, you must order one three pole connector per product (96260810). For a working dynamic RGBW Satin 2 installation, you must order one three pole connector per product (962608100) and one five pole connector per product (96241232).

Like all other DMX driven luminaires, Satin 2 can be controlled using Sensa DMX stand alone controller and software.

Once recorded, lighting scenarios can be run autonomously without the need for a laptop. With its range of splitters, accessories and cables especially designed for outdoor applications, Sensa DMX provides a complete and simple solution for the implementation of DMX networks, from small to large scale installations. The Sensa DMX products are listed below. For more information and for planning support, please contact your local Thorn office.

| Description | Wt (kg) | SAP Code | Cat. No. |
|---|---------|----------|-------------------|
| Satin 2 Surface, through wiring, 330/430mm, 12° | | | |
| SATIN2 MWA L330 12L35 12° RD IO | 1.40 | 96264833 | SA235WL3312RDIO |
| SATIN2 MWA L330 12L35 12° 830 IO | 1.40 | 96264836 | SA235WL3312830IO |
| SATIN2 MWA L330 12L35 12° 840 IO | 1.40 | 96264837 | SA235WL3312840IO |
| SATIN2 MWA L330 12L35 12° BU IO | 1.40 | 96264835 | SA235WL3312BUIO |
| SATIN2 MWA L330 12L35 12° GN IO | 1.40 | 96264834 | SA235WL3312GNIO |
| SATIN2 MWA L430 12L35 12° RGBW IO | 2.20 | 96264838 | SA235WL4312RGBWIO |
| Satin 2 Surface, through wiring, 330/430mm, 32° | | | |
| SATIN2 MWA L330 12L35 32° RD IO | 1.40 | 96264857 | SA235WL3332RDIO |
| SATIN2 MWA L330 12L35 32° 830 IO | 1.40 | 96264860 | SA235WL3332830IO |
| SATIN2 MWA L330 12L35 32° 840 IO | 1.40 | 96264861 | SA235WL3332840IO |
| SATIN2 MWA L330 12L35 32° BU IO | 1.40 | 96264859 | SA235WL3332BUIO |
| SATIN2 MWA L330 12L35 32° GN IO | 1.40 | 96264858 | SA235WL3332GNIO |
| SATIN2 MWA L430 12L35 32° RGBW IO | 2.30 | 96264862 | SA235WL4332RGBWIO |
| Satin 2 Surface, through wiring, 330/430mm, 12x44° | | | |
| SATIN2 MWA L330 12L35 12X44° RD IO | 1.40 | 96264881 | SA235WL3344RDIO |
| SATIN2 MWA L330 12L35 12X44° 830 IO | 1.40 | 96264884 | SA235WL3344830IO |
| SATIN2 MWA L330 12L35 12X44° 840 IO | 1.40 | 96264885 | SA235WL3344840IO |
| SATIN2 MWA L330 12L35 12X44° BU IO | 1.40 | 96264883 | SA235WL3344BUIO |
| SATIN2 MWA L330 12L35 12X44° GN IO | 1.40 | 96264882 | SA235WL3344GNIO |
| SATIN2 MWA L430 12L35 12X44° RGBW IO | 2.20 | 96264886 | SA235WL4344RGBWIO |

Satin 2



www.thornlighting.co.uk/SAT2
www.thornlighting.ie/SAT2

A discreet linear LED floodlight range offering extensive static/dynamic illumination choice and flexibility

| Description | Wt (kg) | SAP Code | Cat. No. |
|---|---------|----------|--------------------|
| Satin 2 Surface, through wiring, 330/430mm, asymmetric | | | |
| SATIN2 MWA L330 12L35 A/S RD IO | 1.40 | 96264905 | SA235WL33ASRDIO |
| SATIN2 MWA L330 12L35 A/S 830 IO | 1.40 | 96264908 | SA235WL33AS830IO |
| SATIN2 MWA L330 12L35 A/S 840 IO | 1.40 | 96264909 | SA235WL33AS840IO |
| SATIN2 MWA L330 12L35 A/S BU IO | 1.40 | 96264907 | SA235WL33ASBUIO |
| SATIN2 MWA L330 12L35 A/S GN IO | 1.40 | 96264906 | SA235WL33ASGNIO |
| SATIN2 MWA L430 12L35 A/S RGBW IO | 2.30 | 96264910 | SA235WL43ASRGBWIO |
| Satin 2 Surface, through wiring, 630mm, 12° | | | |
| SATIN2 MWA L630 24L35 12° RD IO | 2.60 | 96264839 | SA235WL6312RDIO |
| SATIN2 MWA L630 24L35 12° 830 IO | 2.60 | 96264842 | SA235WL6312830IO |
| SATIN2 MWA L630 24L35 12° 840 IO | 2.60 | 96264843 | SA235WL6312840IO |
| SATIN2 MWA L630 24L35 12° BU IO | 2.60 | 96264841 | SA235WL6312BUIO |
| SATIN2 MWA L630 24L35 12° GN IO | 2.60 | 96264840 | SA235WL6312GNIO |
| SATIN2 MWA L630 24L35 12° RGBW IO | 3.00 | 96264844 | SA235WL6312RGBWIO |
| Satin 2 Surface, through wiring, 630mm, 32° | | | |
| SATIN2 MWA L630 24L35 32° RD IO | 2.60 | 96264863 | SA235WL6332RDIO |
| SATIN2 MWA L630 24L35 32° 830 IO | 2.60 | 96264866 | SA235WL6332830IO |
| SATIN2 MWA L630 24L35 32° 840 IO | 2.60 | 96264867 | SA235WL6332840IO |
| SATIN2 MWA L630 24L35 32° BU IO | 2.60 | 96264865 | SA235WL6332BUIO |
| SATIN2 MWA L630 24L35 32° GN IO | 2.60 | 96264864 | SA235WL6332GNIO |
| SATIN2 MWA L630 24L35 32° RGBW IO | 3.00 | 96264868 | SA235WL6332RGBWIO |
| Satin 2 Surface, through wiring, 630mm, 12x44° | | | |
| SATIN2 MWA L630 24L35 12x44° RD IO | 2.60 | 96264887 | SA235WL6344RDIO |
| SATIN2 MWA L630 24L35 12x44° 830 IO | 2.60 | 96264890 | SA235WL6344830IO |
| SATIN2 MWA L630 24L35 12x44° 840 IO | 2.60 | 96264891 | SA235WL6344840IO |
| SATIN2 MWA L630 24L35 12x44° BU IO | 2.60 | 96264889 | SA235WL6344BUIO |
| SATIN2 MWA L630 24L35 12x44° GN IO | 2.60 | 96264888 | SA235WL6344GNIO |
| SATIN2 MWA L630 24L35 12x44° RGBW IO | 3.00 | 96264892 | SA235WL6344RGBWIO |
| Satin 2 Surface, through wiring, 630mm, asymmetric | | | |
| SATIN2 MWA L630 24L35 A/S RD IO | 2.60 | 96264911 | SA235WL63ASRDIO |
| SATIN2 MWA L630 24L35 A/S 830 IO | 2.60 | 96264914 | SA235WL63AS830IO |
| SATIN2 MWA L630 24L35 A/S 840 IO | 2.60 | 96264915 | SA235WL63AS840IO |
| SATIN2 MWA L630 24L35 A/S BU IO | 2.60 | 96264913 | SA235WL63ASBUIO |
| SATIN2 MWA L630 24L35 A/S GN IO | 2.60 | 96264912 | SA235WL63ASGNIO |
| SATIN2 MWA L630 24L35 A/S RGBW IO | 3.00 | 96264916 | SA235WL63ASRGBWIO |
| Satin 2 Surface, through wiring, 930mm, 12° | | | |
| SATIN2 MWA L930 36L35 12° RD IO | 3.90 | 96264845 | SA235WL9312RDIO |
| SATIN2 MWA L930 36L35 12° 830 IO | 3.90 | 96264848 | SA235WL9312830IO |
| SATIN2 MWA L930 36L35 12° 840 IO | 3.90 | 96264849 | SA235WL9312840IO |
| SATIN2 MWA L930 36L35 12° BU IO | 3.90 | 96264847 | SA235WL9312BUIO |
| SATIN2 MWA L930 36L35 12° GN IO | 3.90 | 96264846 | SA235WL9312GNIO |
| SATIN2 MWA L930 36L35 12° RGBW IO | 4.30 | 96264850 | SA235WL9312RGBWIO |
| Satin 2 Surface, through wiring, 930mm, 32° | | | |
| SATIN2 MWA L930 36L35 32° RD IO | 3.90 | 96264869 | SA235WL9332RDIO |
| SATIN2 MWA L930 36L35 32° 830 IO | 3.90 | 96264872 | SA235WL9332830IO |
| SATIN2 MWA L930 36L35 32° 840 IO | 3.90 | 96264873 | SA235WL9332840IO |
| SATIN2 MWA L930 36L35 32° BU IO | 3.90 | 96264871 | SA235WL9332BUIO |
| SATIN2 MWA L930 36L35 32° GN IO | 3.90 | 96264870 | SA235WL9332GNIO |
| SATIN2 MWA L930 36L35 32° RGBW IO | 4.30 | 96264874 | SA235WL9332RGBWIO |
| Satin 2 Surface, through wiring, 930mm, 12x44° | | | |
| SATIN2 MWA L930 36L35 12x44° RD IO | 3.90 | 96264893 | SA235WL9344RDIO |
| SATIN2 MWA L930 36L35 12x44° 830 IO | 3.90 | 96264896 | SA235WL9344830IO |
| SATIN2 MWA L930 36L35 12x44° 840 IO | 3.90 | 96264897 | SA235WL9344840IO |
| SATIN2 MWA L930 36L35 12x44° BU IO | 3.90 | 96264895 | SA235WL9344BUIO |
| SATIN2 MWA L930 36L35 12x44° GN IO | 3.90 | 96264894 | SA235WL9344GNIO |
| SATIN2 MWA L930 36L35 12x44° RGBW IO | 4.30 | 96264898 | SA235WL9344RGBWIO |
| Satin 2 Surface, through wiring, 930mm, asymmetric | | | |
| SATIN2 MWA L930 36L35 A/S RD IO | 3.90 | 96264917 | SA235WL93ASRDIO |
| SATIN2 MWA L930 36L35 A/S 830 IO | 3.90 | 96264920 | SA235WL93AS830IO |
| SATIN2 MWA L930 36L35 A/S 840 IO | 3.90 | 96264921 | SA235WL93AS840IO |
| SATIN2 MWA L930 36L35 A/S BU IO | 3.90 | 96264919 | SA235WL93ASBUIO |
| SATIN2 MWA L930 36L35 A/S GN IO | 3.90 | 96264918 | SA235WL93ASGNIO |
| SATIN2 MWA L930 36L35 A/S RGBW IO | 3.90 | 96264922 | SA235WL93ASRGBWIO |
| Satin 2 Surface, through wiring, 1230mm, 12° | | | |
| SATIN2 MWA L1230 48L35 12° RD IO | 4.90 | 96264851 | SA235WL12312RDIO |
| SATIN2 MWA L1230 48L35 12° 830 IO | 4.90 | 96264854 | SA235WL12312830IO |
| SATIN2 MWA L1230 48L35 12° 840 IO | 4.90 | 96264855 | SA235WL12312840IO |
| SATIN2 MWA L1230 48L35 12° BU IO | 4.90 | 96264853 | SA235WL12312BUIO |
| SATIN2 MWA L1230 48L35 12° GN IO | 4.90 | 96264852 | SA235WL12312GNIO |
| SATIN2 MWA L1230 48L35 12° RGBW IO | 5.60 | 96264856 | SA235WL12312RGBWIO |

| Description | Wt (kg) | SAP Code | Cat. No. |
|--|---------|----------|--------------------|
| Satin 2 Surface, through wiring, 1230mm, 32° | | | |
| SATIN2 MWA L1230 48L35 32° RD IO | 4.90 | 96264875 | SA235WL12332RDIO |
| SATIN2 MWA L1230 48L35 32° 830 IO | 4.90 | 96264878 | SA235WL12332830IO |
| SATIN2 MWA L1230 48L35 32° 840 IO | 4.90 | 96264879 | SA235WL12332840IO |
| SATIN2 MWA L1230 48L35 32° BU IO | 4.90 | 96264877 | SA235WL12332BUIO |
| SATIN2 MWA L1230 48L35 32° GN IO | 4.90 | 96264876 | SA235WL12332GNIO |
| SATIN2 MWA L1230 48L35 32° RGBW IO | 5.60 | 96264880 | SA235WL12332RGBWIO |
| Satin 2 Surface, through wiring, 1230mm, 12x44° | | | |
| SATIN2 MWA L1230 48L35 12x44° RD IO | 4.90 | 96264899 | SA235WL12344RDIO |
| SATIN2 MWA L1230 48L35 12x44° 830 IO | 4.90 | 96264902 | SA235WL12344830IO |
| SATIN2 MWA L1230 48L35 12x44° 840 IO | 4.90 | 96264903 | SA235WL12344840IO |
| SATIN2 MWA L1230 48L35 12x44° BU IO | 4.90 | 96264901 | SA235WL12344BUIO |
| SATIN2 MWA L1230 48L35 12x44° GN IO | 4.90 | 96264900 | SA235WL12344GNIO |
| SATIN2 MWA L1230 48L35 12x44° RGBW IO | 5.60 | 96264904 | SA235WL12344RGBWIO |
| Satin 2 Surface, through wiring, 1230mm, asymmetric | | | |
| SATIN2 MWA L1230 48L35 A/S RD IO | 4.90 | 96264923 | SA235WL123ASRDIO |
| SATIN2 MWA L1230 48L35 A/S 830 IO | 4.90 | 96264926 | SA235WL123AS830IO |
| SATIN2 MWA L1230 48L35 A/S 840 IO | 4.90 | 96264927 | SA235WL123AS840IO |
| SATIN2 MWA L1230 48L35 A/S BU IO | 4.90 | 96264925 | SA235WL123ASBUIO |
| SATIN2 MWA L1230 48L35 A/S GN IO | 4.90 | 96264924 | SA235WL123ASGNIO |
| SATIN2 MWA L1230 48L35 A/S RGBW IO | 5.60 | 96264928 | SA235WL123ASRGBWIO |
| Satin 2 Surface, end of line, 330/430mm, 12° | | | |
| SATIN2 MWA L330 12L35 12° RD IN | 1.30 | 96264929 | SA235WL3312RDIN |
| SATIN2 MWA L330 12L35 12° 830 IN | 1.30 | 96264932 | SA235WL3312830IN |
| SATIN2 MWA L330 12L35 12° 840 IN | 1.30 | 96264933 | SA235WL3312840IN |
| SATIN2 MWA L330 12L35 12° BU IN | 1.30 | 96264931 | SA235WL3312BUIIN |
| SATIN2 MWA L330 12L35 12° GN IN | 1.30 | 96264930 | SA235WL3312GNIN |
| SATIN2 MWA L430 12L35 12° RGBW IN | 2.20 | 96264934 | SA235WL4312RGIN |
| Satin 2 Surface, end of line, 330/430mm, 32° | | | |
| SATIN2 MWA L330 12L35 32° RD IN | 1.30 | 96264953 | SA235WL3332RDIN |
| SATIN2 MWA L330 12L35 32° 830 IN | 1.30 | 96264956 | SA235WL3332830IN |
| SATIN2 MWA L330 12L35 32° 840 IN | 1.30 | 96264957 | SA235WL3332840IN |
| SATIN2 MWA L330 12L35 32° BU IN | 1.30 | 96264955 | SA235WL3332BUIIN |
| SATIN2 MWA L330 12L35 32° GN IN | 1.30 | 96264954 | SA235WL3332GNIN |
| SATIN2 MWA L430 12L35 32° RGBW IN | 2.20 | 96264958 | SA235WL4332RGIN |
| Satin 2 Surface, end of line, 330/430mm, 12x44° | | | |
| SATIN2 MWA L330 12L35 12x44° RD IN | 1.30 | 96264977 | SA235WL3344RDIN |
| SATIN2 MWA L330 12L35 12x44° 830 IN | 1.30 | 96264980 | SA235WL3344830IN |
| SATIN2 MWA L330 12L35 12x44° 840 IN | 1.30 | 96264981 | SA235WL3344840IN |
| SATIN2 MWA L330 12L35 12x44° BU IN | 1.30 | 96264979 | SA235WL3344BUIIN |
| SATIN2 MWA L330 12L35 12x44° GN IN | 1.30 | 96264978 | SA235WL3344GNIN |
| SATIN2 MWA L430 12L35 12x44° RGBW IN | 2.20 | 96264982 | SA235WL4344RGBWIN |
| Satin 2 Surface, end of line, 330/430mm, asymmetric | | | |
| SATIN2 MWA L330 12L35 A/S RD IN | 1.30 | 96265001 | SA235WL33ASRDIN |
| SATIN2 MWA L330 12L35 A/S 830 IN | 1.30 | 96265004 | SA235WL33AS830IN |
| SATIN2 MWA L330 12L35 A/S 840 IN | 1.30 | 96265005 | SA235WL33AS840IN |
| SATIN2 MWA L330 12L35 A/S BU IN | 1.30 | 96265003 | SA235WL33ASBUIIN |
| SATIN2 MWA L330 12L35 A/S GN IN | 1.30 | 96265002 | SA235WL33ASGNIN |
| SATIN2 MWA L430 12L35 A/S RGBW IN | 2.20 | 96265006 | SA235WL43ASRGBWIN |
| Satin 2 Surface, end of line, 630mm, 12° | | | |
| SATIN2 MWA L630 24L35 12° RD IN | 2.50 | 96264935 | SA235WL6312RDIN |
| SATIN2 MWA L630 24L35 12° 830 IN | 2.50 | 96264938 | SA235WL6312830IN |
| SATIN2 MWA L630 24L35 12° 840 IN | 2.50 | 96264939 | SA235WL6312840IN |
| SATIN2 MWA L630 24L35 12° BU IN | 2.50 | 96264937 | SA235WL6312BUIIN |
| SATIN2 MWA L630 24L35 12° GN IN | 2.50 | 96264936 | SA235WL6312GNIN |
| SATIN2 MWA L630 24L35 12° RGBW IN | 2.80 | 96264940 | SA235WL6312RGBWIN |
| Satin 2 Surface, end of line, 630mm, 32° | | | |
| SATIN2 MWA L630 24L35 32° RD IN | 2.50 | 96264959 | SA235WL6332RDIN |
| SATIN2 MWA L630 24L35 32° 830 IN | 2.50 | 96264962 | SA235WL6332830IN |
| SATIN2 MWA L630 24L35 32° 840 IN | 2.50 | 96264963 | SA235WL6332840IN |
| SATIN2 MWA L630 24L35 32° BU IN | 2.50 | 96264961 | SA235WL6332BUIIN |
| SATIN2 MWA L630 24L35 32° GN IN | 2.50 | 96264960 | SA235WL6332GNIN |
| SATIN2 MWA L630 24L35 32° RGBW IN | 2.80 | 96264964 | SA235WL6332RGBWIN |
| Satin 2 Surface, end of line, 630mm, 12x44° | | | |
| SATIN2 MWA L630 24L35 12x44° RD IN | 2.50 | 96264983 | SA235WL6344RDIN |
| SATIN2 MWA L630 24L35 12x44° 830 IN | 2.50 | 96264986 | SA235WL6344830IN |
| SATIN2 MWA L630 24L35 12x44° 840 IN | 2.50 | 96264987 | SA235WL6344840IN |
| SATIN2 MWA L630 24L35 12x44° BU IN | 2.50 | 96264985 | SA235WL6344BUIIN |
| SATIN2 MWA L630 24L35 12x44° GN IN | 2.50 | 96264984 | SA235WL6344GNIN |
| SATIN2 MWA L630 24L35 12x44° RGBW IN | 2.80 | 96264988 | SA235WL6344RGBWIN |

| Description | Wt (kg) | SAP Code | Cat. No. |
|--|---------|----------|--------------------|
| Satin 2 Surface, end of line, 630mm, asymmetric | | | |
| SATIN2 MWA L630 24L35 A/S RD IN | 2.50 | 96265007 | SA235WL63ASRDIN |
| SATIN2 MWA L630 24L35 A/S 830 IN | 2.50 | 96265010 | SA235WL63AS830IN |
| SATIN2 MWA L630 24L35 A/S 840 IN | 2.50 | 96265011 | SA235WL63AS840IN |
| SATIN2 MWA L630 24L35 A/S BU IN | 2.50 | 96265009 | SA235WL63ASBUIN |
| SATIN2 MWA L630 24L35 A/S GN IN | 2.50 | 96265008 | SA235WL63ASGNIN |
| SATIN2 MWA L630 24L35 A/S RGBW IN | 2.80 | 96265012 | SA235WL63ASRGBWIN |
| Satin 2 Surface, end of line, 930mm, 12° | | | |
| SATIN2 MWA L930 36L35 12° RD IN | 3.80 | 96264941 | SA235WL9312RDIN |
| SATIN2 MWA L930 36L35 12° 830 IN | 3.80 | 96264944 | SA235WL9312830IN |
| SATIN2 MWA L930 36L35 12° 840 IN | 3.80 | 96264945 | SA235WL9312840IN |
| SATIN2 MWA L930 36L35 12° BU IN | 3.80 | 96264943 | SA235WL9312BUIN |
| SATIN2 MWA L930 36L35 12° GN IN | 3.80 | 96264942 | SA235WL9312GNIN |
| SATIN2 MWA L930 36L35 12° RGBW IN | 4.10 | 96264946 | SA235WL9312RGBWIN |
| Satin 2 Surface, end of line, 930mm, 32° | | | |
| SATIN2 MWA L930 36L35 32° RD IN | 3.80 | 96264965 | SA235WL9332RDIN |
| SATIN2 MWA L930 36L35 32° 830 IN | 3.80 | 96264968 | SA235WL9332830IN |
| SATIN2 MWA L930 36L35 32° 840 IN | 3.80 | 96264969 | SA235WL9332840IN |
| SATIN2 MWA L930 36L35 32° BU IN | 3.80 | 96264967 | SA235WL9332BUIN |
| SATIN2 MWA L930 36L35 32° GN IN | 3.80 | 96264966 | SA235WL9332GNIN |
| SATIN2 MWA L930 36L35 32° RGBW IN | 4.10 | 96264970 | SA235WL9332RGBWIN |
| Satin 2 Surface, end of line, 930mm, 12x44° | | | |
| SATIN2 MWA L930 36L35 12X44° RD IN | 3.80 | 96264989 | SA235WL9344RDIN |
| SATIN2 MWA L930 36L35 12X44° 830 IN | 3.80 | 96264992 | SA235WL9344830IN |
| SATIN2 MWA L930 36L35 12X44° 840 IN | 3.80 | 96264993 | SA235WL9344840IN |
| SATIN2 MWA L930 36L35 12X44° BU IN | 3.80 | 96264991 | SA235WL9344BUIN |
| SATIN2 MWA L930 36L35 12X44° GN IN | 3.80 | 96264990 | SA235WL9344GNIN |
| SATIN2 MWA L930 36L35 12X44° RGBW IN | 4.10 | 96264994 | SA235WL9344RGBWIN |
| Satin 2 Surface, end of line, 930mm, asymmetric | | | |
| SATIN2 MWA L930 36L35 A/S RD IN | 3.80 | 96265013 | SA235WL93ASRDIN |
| SATIN2 MWA L930 36L35 A/S 830 IN | 3.80 | 96265016 | SA235WL93AS830IN |
| SATIN2 MWA L930 36L35 A/S 840 IN | 3.80 | 96265017 | SA235WL93AS840IN |
| SATIN2 MWA L930 36L35 A/S BU IN | 3.80 | 96265015 | SA235WL93ASBUIN |
| SATIN2 MWA L930 36L35 A/S GN IN | 3.80 | 96265014 | SA235WL93ASGNIN |
| SATIN2 MWA L930 36L35 A/S RGBW IN | 3.80 | 96265018 | SA235WL93ASRGBWIN |
| Satin 2 Surface, end of line, 1230mm, 12° | | | |
| SATIN2 MWA L1230 48L35 12° RD IN | 4.80 | 96264947 | SA235WL12312RDIN |
| SATIN2 MWA L1230 48L35 12° 830 IN | 4.80 | 96264950 | SA235WL12312830IN |
| SATIN2 MWA L1230 48L35 12° 840 IN | 4.80 | 96264951 | SA235WL12312840IN |
| SATIN2 MWA L1230 48L35 12° BU IN | 4.80 | 96264949 | SA235WL12312BUIN |
| SATIN2 MWA L1230 48L35 12° GN IN | 4.80 | 96264948 | SA235WL12312GNIN |
| SATIN2 MWA L1230 48L35 12° RGBW IN | 5.20 | 96264952 | SA235WL12312RGBWIN |
| Satin 2 Surface, end of line, 1230mm, 32° | | | |
| SATIN2 MWA L1230 48L35 32° RD IN | 4.80 | 96264971 | SA235WL12332RDIN |
| SATIN2 MWA L1230 48L35 32° 830 IN | 4.80 | 96264974 | SA235WL12332830IN |
| SATIN2 MWA L1230 48L35 32° 840 IN | 4.80 | 96264975 | SA235WL12332840IN |
| SATIN2 MWA L1230 48L35 32° BU IN | 4.80 | 96264973 | SA235WL12332BUIN |
| SATIN2 MWA L1230 48L35 32° GN IN | 4.80 | 96264972 | SA235WL12332GNIN |
| SATIN2 MWA L1230 48L35 32° RGBW IN | 5.20 | 96264976 | SA235WL12332RGBWIN |
| Satin 2 Surface, end of line, 1230mm, 12x44° | | | |
| SATIN2 MWA L1230 48L35 12X44° RD IN | 4.80 | 96264995 | SA235WL12344RDIN |
| SATIN2 MWA L1230 48L35 12X44° 830 IN | 4.80 | 96264998 | SA235WL12344830IN |
| SATIN2 MWA L1230 48L35 12X44° 840 IN | 4.80 | 96264999 | SA235WL12344840IN |
| SATIN2 MWA L1230 48L35 12X44° BU IN | 4.80 | 96264997 | SA235WL12344BUIN |
| SATIN2 MWA L1230 48L35 12X44° GN IN | 4.80 | 96264996 | SA235WL12344GNIN |
| SATIN2 MWA L1230 48L35 12X44° RGBW IN | 5.20 | 96265000 | SA235WL12344RGBWIN |
| Satin 2 L1230 A/S IN | | | |
| SATIN2 MWA L1230 48L35 A/S RD IN | 4.80 | 96265019 | SA235WL123ASRDIN |
| SATIN2 MWA L1230 48L35 A/S 830 IN | 4.80 | 96265022 | SA235WL123AS830IN |
| SATIN2 MWA L1230 48L35 A/S 840 IN | 4.80 | 96265023 | SA235WL123AS840IN |
| SATIN2 MWA L1230 48L35 A/S BU IN | 4.80 | 96265021 | SA235WL123ASBUIN |
| SATIN2 MWA L1230 48L35 A/S GN IN | 4.80 | 96265020 | SA235WL123ASGNIN |
| SATIN2 MWA L1230 48L35 A/S RGBW IN | 5.20 | 96265024 | SA235WL123ASRGBWIN |
| Satin 2 Surface, high ambient temperature, 330mm, 12° | | | |
| SATIN2 MWA L360 12L35 12° 830 KIT | 1.40 | 96268054 | |
| SATIN2 MWA L360 12L35 12° 840 KIT | 1.40 | 96268055 | |
| SATIN2 MWA L330 12L35 12° RGBW KIT | 2.20 | 96268056 | |

| Description | Wt (kg) | SAP Code | Cat. No. |
|--|---------|----------|----------|
| Satin 2 Surface, high ambient temperature, 330mm, 32° | | | |
| SATIN2 MWA L360 12L35 32° 830 KIT | 1.40 | 96268066 | |
| SATIN2 MWA L360 12L35 32° 840 KIT | 1.40 | 96268067 | |
| SATIN2 MWA L330 12L35 32° RGBW KIT | 2.20 | 96268068 | |
| Satin 2 Surface, high ambient temperature, 330mm, 12x44° | | | |
| SATIN2 MWA L360 12L35 12X44° 830 KIT | 1.40 | 96268078 | |
| SATIN2 MWA L360 12L35 12X44° 840 KIT | 1.40 | 96268079 | |
| SATIN2 MWA L330 12L35 12X44° RGBW KIT | 2.20 | 96268080 | |
| Satin 2 Surface, high ambient temperature, 330mm, asymmetric | | | |
| SATIN2 MWA L360 12L35 A/S 830 KIT | 1.40 | 96268090 | |
| SATIN2 MWA L360 12L35 A/S 840 KIT | 1.40 | 96268091 | |
| SATIN2 MWA L330 12L35 A/S RGBW KIT | 2.20 | 96268092 | |
| Satin 2 Surface, high ambient temperature, 630mm, 12° | | | |
| SATIN2 MWA L630 24L35 12° 830 KIT | 2.60 | 96268057 | |
| SATIN2 MWA L630 24L35 12° 840 KIT | 2.60 | 96268058 | |
| SATIN2 MWA L630 24L35 12° RGBW KIT | 3.00 | 96268059 | |
| Satin 2 Surface, high ambient temperature, 630mm, 32° | | | |
| SATIN2 MWA L630 24L35 32° 830 KIT | 2.60 | 96268069 | |
| SATIN2 MWA L630 24L35 32° 840 KIT | 2.60 | 96268070 | |
| SATIN2 MWA L630 24L35 32° RGBW KIT | 3.00 | 96268071 | |
| Satin 2 Surface, high ambient temperature, 630mm, 12x44° | | | |
| SATIN2 MWA L630 24L35 12X44° 830 KIT | 2.60 | 96268081 | |
| SATIN2 MWA L630 24L35 12X44° 840 KIT | 2.60 | 96268082 | |
| SATIN2 MWA L630 24L35 12X44° RGBW KIT | 3.00 | 96268083 | |
| Satin 2 Surface, high ambient temperature, 630mm, asymmetric | | | |
| SATIN2 MWA L630 24L35 A/S 830 KIT | 2.60 | 96268093 | |
| SATIN2 MWA L630 24L35 A/S 840 KIT | 2.60 | 96268094 | |
| SATIN2 MWA L630 24L35 A/S RGBW KIT | 3.00 | 96268095 | |
| Satin 2 Surface, high ambient temperature, 930mm, 12° | | | |
| SATIN2 MWA L930 36L35 12° 830 KIT | 3.90 | 96268060 | |
| SATIN2 MWA L930 36L35 12° 840 KIT | 3.90 | 96268061 | |
| SATIN2 MWA L930 36L35 12° RGBW KIT | 4.30 | 96268062 | |
| Satin 2 Surface, high ambient temperature, 930mm, 32° | | | |
| SATIN2 MWA L930 36L35 32° 830 KIT | 3.90 | 96268072 | |
| SATIN2 MWA L930 36L35 32° 840 KIT | 3.90 | 96268073 | |
| SATIN2 MWA L930 36L35 32° RGBW KIT | 4.30 | 96268074 | |
| Satin 2 Surface, high ambient temperature, 930mm, 12x44° | | | |
| SATIN2 MWA L930 36L35 12X44° 830 KIT | 3.90 | 96268084 | |
| SATIN2 MWA L930 36L35 12X44° 840 KIT | 3.90 | 96268085 | |
| SATIN2 MWA L930 36L35 12X44° RGBW KIT | 4.30 | 96268086 | |
| Satin 2 Surface, high ambient temperature, 930mm, asymmetric | | | |
| SATIN2 MWA L930 36L35 A/S 830 KIT | 3.90 | 96268096 | |
| SATIN2 MWA L930 36L35 A/S 840 KIT | 3.90 | 96268097 | |
| SATIN2 MWA L930 36L35 A/S RGBW KIT | 4.30 | 96268098 | |
| Satin 2 Surface, high ambient temperature, 1230mm, 12° | | | |
| SATIN2 MWA L1230 48L35 12° 830 KIT | 4.90 | 96268063 | |
| SATIN2 MWA L1230 48L35 12° 840 KIT | 4.90 | 96268064 | |
| SATIN2 MWA L1230 48L35 12° RGBW KIT | 5.60 | 96268065 | |
| Satin 2 Surface, high ambient temperature, 1230mm, 32° | | | |
| SATIN2 MWA L1230 48L35 32° 830 KIT | 4.90 | 96268075 | |
| SATIN2 MWA L1230 48L35 32° 840 KIT | 4.90 | 96268076 | |
| SATIN2 MWA L1230 48L35 32° RGBW KIT | 5.60 | 96268077 | |
| Satin 2 Surface, high ambient temperature, 1230mm, 12x44° | | | |
| SATIN2 MWA L1230 48L35 12X44° 830 KIT | 4.90 | 96268087 | |
| SATIN2 MWA L1230 48L35 12X44° 840 KIT | 4.90 | 96268088 | |
| SATIN2 MWA L1230 48L35 12X44° RGBW KIT | 5.60 | 96268089 | |
| Satin 2 Surface, high ambient temperature, 1230mm, asymmetric | | | |
| SATIN2 MWA L1230 48L35 A/S 830 KIT | 4.90 | 96268099 | |
| SATIN2 MWA L1230 48L35 A/S 840 KIT | 4.90 | 96268100 | |
| SATIN2 MWA L1230 48L35 A/S RGBW KIT | 5.60 | 96268101 | |
| Satin 2 Recessed, through wiring, 350mm, 12° | | | |
| SATIN2 MRE L350 12L35 12° RD IO | 1.86 | 96267186 | |
| SATIN2 MRE L350 12L35 12° 830 IO | 1.86 | 96267189 | |
| SATIN2 MRE L350 12L35 12° 840 IO | 1.86 | 96267190 | |
| SATIN2 MRE L350 12L35 12° BU IO | 1.86 | 96267188 | |
| SATIN2 MRE L350 12L35 12° GN IO | 1.86 | 96267187 | |
| SATIN2 MRE L350 12L35 12° RGBW KIT | 2.96 | 96267287 | |



| Description | Wt (kg) | SAP Code | Cat. No. |
|--|---------|----------|----------|
| Satin 2 Recessed, through wiring, 350mm, 32° | | | |
| SATIN2 MRE L350 12L35 32° 830 IO | 1.86 | 96267213 | |
| SATIN2 MRE L350 12L35 32° 840 IO | 1.86 | 96267214 | |
| SATIN2 MRE L350 12L35 32° BU IO | 1.86 | 96267212 | |
| SATIN2 MRE L350 12L35 32° GN IO | 1.86 | 96267211 | |
| SATIN2 MRE L350 12L35 32° RD IO | 1.86 | 96267210 | |
| SATIN2 MRE L350 12L35 32° RGBW KIT | 2.96 | 96267311 | |
| Satin 2 Recessed, through wiring, 350mm, 12x44° | | | |
| SATIN2 MRE L350 12L35 12x44° RD IO | 1.86 | 96267234 | |
| SATIN2 MRE L350 12L35 12x44° 830 IO | 1.86 | 96267237 | |
| SATIN2 MRE L350 12L35 12x44° 840 IO | 1.86 | 96267238 | |
| SATIN2 MRE L350 12L35 12x44° BU IO | 1.86 | 96267236 | |
| SATIN2 MRE L350 12L35 12x44° GN IO | 1.86 | 96267235 | |
| SATIN2 MRE L350 12L35 12x44° RGBW KIT | 2.96 | 96267335 | |
| Satin 2 Recessed, through wiring, 350mm, asymmetric | | | |
| SATIN2 MRE L350 12L35 A/S RD IO | 1.86 | 96267258 | |
| SATIN2 MRE L350 12L35 A/S 830 IO | 1.86 | 96267261 | |
| SATIN2 MRE L350 12L35 A/S 840 IO | 1.86 | 96267262 | |
| SATIN2 MRE L350 12L35 A/S BU IO | 1.86 | 96267260 | |
| SATIN2 MRE L350 12L35 A/S GN IO | 1.86 | 96267259 | |
| SATIN2 MRE L350 12L35 A/S RGBW KIT | 2.96 | 96267359 | |
| Satin 2 Recessed, through wiring, 650mm, 12° | | | |
| SATIN2 MRE L650 24L33 12° RD IO | 3.16 | 96267192 | |
| SATIN2 MRE L650 24L33 12° 830 IO | 3.16 | 96267195 | |
| SATIN2 MRE L650 24L33 12° 840 IO | 3.16 | 96267196 | |
| SATIN2 MRE L650 24L33 12° BU IO | 3.16 | 96267194 | |
| SATIN2 MRE L650 24L33 12° GN IO | 3.16 | 96267193 | |
| SATIN2 MRE L650 24L33 12° RGBW KIT | 3.84 | 96267293 | |
| Satin 2 Recessed, through wiring, 650mm, 32° | | | |
| SATIN2 MRE L650 24L33 32° RD IO | 3.16 | 96267216 | |
| SATIN2 MRE L650 24L33 32° 830 IO | 3.16 | 96267219 | |
| SATIN2 MRE L650 24L33 32° 840 IO | 3.50 | 96267220 | |
| SATIN2 MRE L650 24L33 32° BU IO | 3.16 | 96267218 | |
| SATIN2 MRE L650 24L33 32° GN IO | 3.16 | 96267217 | |
| SATIN2 MRE L650 24L33 32° RGBW KIT | 3.84 | 96267317 | |
| Satin 2 Recessed, through wiring, 650mm, 12x44° | | | |
| SATIN2 MRE L650 24L33 12x44° RD IO | 3.16 | 96267240 | |
| SATIN2 MRE L650 24L33 12x44° 830 IO | 3.16 | 96267243 | |
| SATIN2 MRE L650 24L33 12x44° 840 IO | 3.16 | 96267244 | |
| SATIN2 MRE L650 24L33 12x44° BU IO | 3.16 | 96267242 | |
| SATIN2 MRE L650 24L33 12x44° GN IO | 3.16 | 96267241 | |
| SATIN2 MRE L650 24L33 12x44° RGBW KIT | 3.84 | 96267341 | |
| Satin 2 Recessed, through wiring, 650mm, asymmetric | | | |
| SATIN2 MRE L650 24L33 A/S RD IO | 3.16 | 96267264 | |
| SATIN2 MRE L650 24L33 A/S 830 IO | 3.16 | 96267267 | |
| SATIN2 MRE L650 24L33 A/S 840 IO | 3.16 | 96267268 | |
| SATIN2 MRE L650 24L33 A/S BU IO | 3.16 | 96267266 | |
| SATIN2 MRE L650 24L33 A/S GN IO | 3.16 | 96267265 | |
| SATIN2 MRE L650 24L33 A/S RGBW KIT | 3.84 | 96267365 | |
| Satin 2 Recessed, through wiring, 950mm, 12° | | | |
| SATIN2 MRE L950 36L33 12° RD IO | 4.80 | 96267198 | |
| SATIN2 MRE L950 36L33 12° 830 IO | 4.80 | 96267201 | |
| SATIN2 MRE L950 36L33 12° 840 IO | 4.80 | 96267202 | |
| SATIN2 MRE L950 36L33 12° BU IO | 4.80 | 96267200 | |
| SATIN2 MRE L950 36L33 12° GN IO | 4.80 | 96267199 | |
| SATIN2 MRE L950 36L33 12° RGBW KIT | 5.90 | 96267299 | |
| Satin 2 Recessed, through wiring, 950mm, 32° | | | |
| SATIN2 MRE L950 36L33 32° RD IO | 4.80 | 96267222 | |
| SATIN2 MRE L950 36L33 32° 830 IO | 4.80 | 96267225 | |
| SATIN2 MRE L950 36L33 32° 840 IO | 4.80 | 96267226 | |
| SATIN2 MRE L950 36L33 32° BU IO | 4.80 | 96267224 | |
| SATIN2 MRE L950 36L33 32° GN IO | 4.80 | 96267223 | |
| SATIN2 MRE L950 36L33 32° RGBW KIT | 5.90 | 96267323 | |
| Satin 2 Recessed, through wiring, 950mm, 12x44° | | | |
| SATIN2 MRE L950 36L33 12x44° RD IO | 4.80 | 96267246 | |
| SATIN2 MRE L950 36L33 12x44° 830 IO | 4.80 | 96267249 | |
| SATIN2 MRE L950 36L33 12x44° 840 IO | 4.80 | 96267250 | |
| SATIN2 MRE L950 36L33 12x44° BU IO | 4.80 | 96267248 | |
| SATIN2 MRE L950 36L33 12x44° GN IO | 4.80 | 96267247 | |
| SATIN2 MRE L950 36L33 12x44° RGBW KIT | 5.90 | 96267347 | |

| Description | Wt (kg) | SAP Code | Cat. No. |
|---|---------|----------|----------|
| Satin 2 Recessed, through wiring, 950mm, asymmetric | | | |
| SATIN2 MRE L950 36L33 A/S RD IO | 4.80 | 96267270 | |
| SATIN2 MRE L950 36L33 A/S 830 IO | 4.80 | 96267273 | |
| SATIN2 MRE L950 36L33 A/S 840 IO | 4.80 | 96267274 | |
| SATIN2 MRE L950 36L33 A/S BU IO | 4.80 | 96267272 | |
| SATIN2 MRE L950 36L33 A/S GN IO | 4.80 | 96267271 | |
| SATIN2 MRE L950 36L33 A/S RGBW KIT | 5.90 | 96267371 | |
| Satin 2 Recessed, through wiring, 1250mm, 12° | | | |
| SATIN2 MRE L1250 48L33 12° RD IO | 6.00 | 96267204 | |
| SATIN2 MRE L1250 48L33 12° 830 IO | 6.00 | 96267207 | |
| SATIN2 MRE L1250 48L33 12° 840 IO | 6.00 | 96267208 | |
| SATIN2 MRE L1250 48L33 12° BU IO | 6.00 | 96267206 | |
| SATIN2 MRE L1250 48L33 12° GN IO | 6.00 | 96267205 | |
| SATIN2 MRE L1250 48L33 12° RGBW KIT | 7.10 | 96267305 | |
| Satin 2 Recessed, through wiring, 1250mm, 32° | | | |
| SATIN2 MRE L1250 48L33 32° RD IO | 6.00 | 96267228 | |
| SATIN2 MRE L1250 48L33 32° 830 IO | 6.00 | 96267231 | |
| SATIN2 MRE L1250 48L33 32° 840 IO | 6.00 | 96267232 | |
| SATIN2 MRE L1250 48L33 32° BU IO | 6.00 | 96267230 | |
| SATIN2 MRE L1250 48L33 32° GN IO | 6.00 | 96267229 | |
| SATIN2 MRE L1250 48L33 32° RGBW KIT | 7.10 | 96267329 | |
| Satin 2 Recessed, through wiring, 1250mm, 12x44° | | | |
| SATIN2 MRE L1250 48L33 12x44° RD IO | 6.00 | 96267252 | |
| SATIN2 MRE L1250 48L33 12x44° 830 IO | 6.00 | 96267255 | |
| SATIN2 MRE L1250 48L33 12x44° 840 IO | 6.00 | 96267256 | |
| SATIN2 MRE L1250 48L33 12x44° BU IO | 6.00 | 96267254 | |
| SATIN2 MRE L1250 48L33 12x44° GN IO | 6.00 | 96267253 | |
| SATIN2 MRE L1250 48L33 12x44° RGBW KIT | 7.10 | 96267353 | |
| Satin 2 Recessed, through wiring, 1250mm, asymmetric | | | |
| SATIN2 MRE L1250 48L33 A/S RD IO | 6.00 | 96267276 | |
| SATIN2 MRE L1250 48L33 A/S 830 IO | 6.00 | 96267279 | |
| SATIN2 MRE L1250 48L33 A/S 840 IO | 6.00 | 96267280 | |
| SATIN2 MRE L1250 48L33 A/S BU IO | 6.00 | 96267278 | |
| SATIN2 MRE L1250 48L33 A/S GN IO | 6.00 | 96267277 | |
| SATIN2 MRE L1250 48L33 A/S RGBW KIT | 7.10 | 96267377 | |
| Satin 2 Recessed, end of line, 350mm, 12° | | | |
| SATIN2 MRE L350 12L35 12° RD IN | 1.86 | 96267282 | |
| SATIN2 MRE L350 12L35 12° 830 IN | 1.86 | 96267285 | |
| SATIN2 MRE L350 12L35 12° 840 IN | 1.86 | 96267286 | |
| SATIN2 MRE L350 12L35 12° BU IN | 1.86 | 96267284 | |
| SATIN2 MRE L350 12L35 12° GN IN | 1.86 | 96267283 | |
| Satin 2 Recessed, end of line, 350mm, 32° | | | |
| SATIN2 MRE L350 12L35 32° 830 IN | 1.86 | 96267309 | |
| SATIN2 MRE L350 12L35 32° 840 IN | 1.86 | 96267310 | |
| SATIN2 MRE L350 12L35 32° BU IN | 1.86 | 96267308 | |
| SATIN2 MRE L350 12L35 32° GN IN | 1.86 | 96267307 | |
| SATIN2 MRE L350 12L35 32° RD IN | 1.86 | 96267306 | |
| Satin 2 Recessed, end of line, 350mm, 12x44° | | | |
| SATIN2 MRE L350 12L35 12x44° RD IN | 1.86 | 96267330 | |
| SATIN2 MRE L350 12L35 12x44° 830 IN | 1.86 | 96267333 | |
| SATIN2 MRE L350 12L35 12x44° 840 IN | 1.86 | 96267334 | |
| SATIN2 MRE L350 12L35 12x44° BU IN | 1.86 | 96267332 | |
| SATIN2 MRE L350 12L35 12x44° GN IN | 1.86 | 96267331 | |
| Satin 2 Recessed, end of line, 350mm, asymmetric | | | |
| SATIN2 MRE L350 12L35 A/S RD IN | 1.86 | 96267354 | |
| SATIN2 MRE L350 12L35 A/S 830 IN | 1.86 | 96267357 | |
| SATIN2 MRE L350 12L35 A/S 840 IN | 1.86 | 96267358 | |
| SATIN2 MRE L350 12L35 A/S BU IN | 1.86 | 96267356 | |
| SATIN2 MRE L350 12L35 A/S GN IN | 1.86 | 96267355 | |
| Satin 2 Recessed, end of line, 650mm, 12° | | | |
| SATIN2 MRE L650 24L33 12° RD IN | 3.16 | 96267288 | |
| SATIN2 MRE L650 24L33 12° 830 IN | 3.16 | 96267291 | |
| SATIN2 MRE L650 24L33 12° 840 IN | 3.16 | 96267292 | |
| SATIN2 MRE L650 24L33 12° BU IN | 3.16 | 96267290 | |
| SATIN2 MRE L650 24L33 12° GN IN | 3.16 | 96267289 | |
| Satin 2 Recessed, end of line, 650mm, 32° | | | |
| SATIN2 MRE L650 24L33 32° RD IN | 3.16 | 96267312 | |
| SATIN2 MRE L650 24L33 32° 830 IN | 3.16 | 96267315 | |
| SATIN2 MRE L650 24L33 32° 840 IN | 3.16 | 96267316 | |
| SATIN2 MRE L650 24L33 32° BU IN | 3.16 | 96267314 | |
| SATIN2 MRE L650 24L33 32° GN IN | 3.16 | 96267313 | |

| Description | Wt (kg) | SAP Code | Cat. No. |
|---|---------|----------|----------|
| Satin 2 Recessed, end of line, 650mm, 12x44° | | | |
| SATIN2 MRE L650 24L33 12X44° RD IN | 3.16 | 96267336 | |
| SATIN2 MRE L650 24L33 12X44° 830 IN | 3.16 | 96267339 | |
| SATIN2 MRE L650 24L33 12X44° 840 IN | 3.16 | 96267340 | |
| SATIN2 MRE L650 24L33 12X44° BU IN | 3.16 | 96267338 | |
| SATIN2 MRE L650 24L33 12X44° GN IN | 3.16 | 96267337 | |
| Satin 2 Recessed, end of line, 650mm, asymmetric | | | |
| SATIN2 MRE L650 24L33 A/S RD IN | 3.16 | 96267360 | |
| SATIN2 MRE L650 24L33 A/S 830 IN | 3.16 | 96267363 | |
| SATIN2 MRE L650 24L33 A/S 840 IN | 3.16 | 96267364 | |
| SATIN2 MRE L650 24L33 A/S BU IN | 3.16 | 96267362 | |
| SATIN2 MRE L650 24L33 A/S GN IN | 3.16 | 96267361 | |
| Satin 2 Recessed, end of line, 950mm, 12° | | | |
| SATIN2 MRE L950 36L33 12° RD IN | 4.80 | 96267294 | |
| SATIN2 MRE L950 36L33 12° 830 IN | 4.80 | 96267297 | |
| SATIN2 MRE L950 36L33 12° 840 IN | 4.80 | 96267298 | |
| SATIN2 MRE L950 36L33 12° BU IN | 4.80 | 96267296 | |
| SATIN2 MRE L950 36L33 12° GN IN | 4.80 | 96267295 | |
| Satin 2 Recessed, end of line, 950mm, 32° | | | |
| SATIN2 MRE L950 36L33 32° RD IN | 4.80 | 96267318 | |
| SATIN2 MRE L950 36L33 32° 830 IN | 4.80 | 96267321 | |
| SATIN2 MRE L950 36L33 32° 840 IN | 4.80 | 96267322 | |
| SATIN2 MRE L950 36L33 32° BU IN | 4.80 | 96267320 | |
| SATIN2 MRE L950 36L33 32° GN IN | 4.80 | 96267319 | |
| Satin 2 Recessed, end of line, 950mm, 12x44° | | | |
| SATIN2 MRE L950 36L33 12X44° RD IN | 4.80 | 96267342 | |
| SATIN2 MRE L950 36L33 12X44° 830 IN | 4.80 | 96267345 | |
| SATIN2 MRE L950 36L33 12X44° 840 IN | 4.80 | 96267346 | |
| SATIN2 MRE L950 36L33 12X44° BU IN | 4.80 | 96267344 | |
| SATIN2 MRE L950 36L33 12X44° GN IN | 4.80 | 96267343 | |
| Satin 2 Recessed, end of line, 950mm, asymmetric | | | |
| SATIN2 MRE L950 36L33 A/S RD IN | 4.80 | 96267366 | |
| SATIN2 MRE L950 36L33 A/S 830 IN | 4.80 | 96267369 | |
| SATIN2 MRE L950 36L33 A/S 840 IN | 4.80 | 96267370 | |
| SATIN2 MRE L950 36L33 A/S BU IN | 4.80 | 96267368 | |
| SATIN2 MRE L950 36L33 A/S GN IN | 4.80 | 96267367 | |
| Satin 2 Recessed, end of line, 1250mm, 12° | | | |
| SATIN2 MRE L1250 48L33 12° RD IN | 6.00 | 96267300 | |
| SATIN2 MRE L1250 48L33 12° 830 IN | 6.00 | 96267303 | |
| SATIN2 MRE L1250 48L33 12° 840 IN | 6.00 | 96267304 | |
| SATIN2 MRE L1250 48L33 12° BU IN | 6.00 | 96267302 | |
| SATIN2 MRE L1250 48L33 12° GN IN | 6.00 | 96267301 | |
| Satin 2 Recessed, end of line, 1250mm, 32° | | | |
| SATIN2 MRE L1250 48L33 32° RD IN | 6.00 | 96267324 | |
| SATIN2 MRE L1250 48L33 32° 830 IN | 6.00 | 96267327 | |
| SATIN2 MRE L1250 48L33 32° 840 IN | 6.00 | 96267328 | |
| SATIN2 MRE L1250 48L33 32° BU IN | 6.00 | 96267326 | |
| SATIN2 MRE L1250 48L33 32° GN IN | 6.00 | 96267325 | |
| Satin 2 Recessed, end of line, 1250mm, 12x44° | | | |
| SATIN2 MRE L1250 48L33 12X44° RD IN | 6.00 | 96267348 | |
| SATIN2 MRE L1250 48L33 12X44° 830 IN | 6.00 | 96267351 | |
| SATIN2 MRE L1250 48L33 12X44° 840 IN | 6.00 | 96267352 | |
| SATIN2 MRE L1250 48L33 12X44° BU IN | 6.00 | 96267350 | |
| SATIN2 MRE L1250 48L33 12X44° GN IN | 6.00 | 96267349 | |
| Satin 2 Recessed, end of line, 1250mm, asymmetric | | | |
| SATIN2 MRE L1250 48L33 A/S RD IN | 6.00 | 96267372 | |
| SATIN2 MRE L1250 48L33 A/S 830 IN | 6.00 | 96267375 | |
| SATIN2 MRE L1250 48L33 A/S 840 IN | 6.00 | 96267376 | |
| SATIN2 MRE L1250 48L33 A/S BU IN | 6.00 | 96267374 | |
| SATIN2 MRE L1250 48L33 A/S GN IN | 6.00 | 96267373 | |
| Satin 2 Recessed, high ambient temperature, 350mm, 12° | | | |
| SATIN2 MRE L350 12L35 12° 830 KIT | 2.86 | 96268102 | |
| SATIN2 MRE L350 12L35 12° 840 KIT | 2.86 | 96268103 | |
| SATIN2 MRE L350 12L35 12° RGBW KIT | 2.96 | 96267287 | |
| Satin 2 Recessed, high ambient temperature, 350mm, 32° | | | |
| SATIN2 MRE L350 12L35 32° 830 KIT | 2.86 | 96268110 | |
| SATIN2 MRE L350 12L35 32° 840 KIT | 2.86 | 96268111 | |
| SATIN2 MRE L350 12L35 32° RGBW KIT | 2.96 | 96267311 | |

| Description | Wt (kg) | SAP Code | Cat. No. |
|---|---------|----------|----------|
| Satin 2 Recessed, high ambient temperature, 350mm, 12x44° | | | |
| SATIN2 MRE L350 12L35 12X44° 830 KIT | 2.86 | 96268118 | |
| SATIN2 MRE L350 12L35 12X44° 840 KIT | 2.86 | 96268119 | |
| SATIN2 MRE L350 12L35 12X44° RGBW KIT | 2.96 | 96267335 | |
| Satin 2 Recessed, high ambient temperature, 350mm, asymmetric | | | |
| SATIN2 MRE L350 12L35 A/S 830 KIT | 2.86 | 96268126 | |
| SATIN2 MRE L350 12L35 A/S 840 KIT | 2.86 | 96268127 | |
| SATIN2 MRE L350 12L35 A/S RGBW KIT | 2.96 | 96267359 | |
| Satin 2 Recessed, high ambient temperature, 650mm, 12° | | | |
| SATIN2 MRE L650 24L35 12° 830 KIT | 4.44 | 96268104 | |
| SATIN2 MRE L650 24L35 12° 840 KIT | 4.44 | 96268105 | |
| SATIN2 MRE L650 24L35 12° RGBW KIT | 3.84 | 96267293 | |
| Satin 2 Recessed, high ambient temperature, 650mm, 32° | | | |
| SATIN2 MRE L650 24L35 32° 830 KIT | 4.56 | 96268112 | |
| SATIN2 MRE L650 24L35 32° 840 KIT | 4.56 | 96268113 | |
| SATIN2 MRE L650 24L35 32° RGBW KIT | 3.84 | 96267317 | |
| Satin 2 Recessed, high ambient temperature, 650mm, 12x44° | | | |
| SATIN2 MRE L650 24L35 12X44° 830 KIT | 4.44 | 96268120 | |
| SATIN2 MRE L650 24L35 12X44° 840 KIT | 4.44 | 96268121 | |
| SATIN2 MRE L650 24L35 12X44° RGBW KIT | 3.84 | 96267341 | |
| Satin 2 Recessed, high ambient temperature, 650mm, asymmetric | | | |
| SATIN2 MRE L650 24L35 A/S 830 KIT | 4.44 | 96268128 | |
| SATIN2 MRE L650 24L35 A/S 840 KIT | 4.44 | 96268129 | |
| SATIN2 MRE L650 24L35 A/S RGBW KIT | 3.84 | 96267365 | |
| Satin 2 Recessed, high ambient temperature, 950mm, 12° | | | |
| SATIN2 MRE L950 36L35 12° 830 KIT | 6.14 | 96268106 | |
| SATIN2 MRE L950 36L35 12° 840 KIT | 6.10 | 96268107 | |
| SATIN2 MRE L950 36L35 12° RGBW KIT | 5.90 | 96267299 | |
| Satin 2 Recessed, high ambient temperature, 950mm, 32° | | | |
| SATIN2 MRE L950 36L35 32° 830 KIT | 5.10 | 96268114 | |
| SATIN2 MRE L950 36L35 32° 840 KIT | 5.10 | 96268115 | |
| SATIN2 MRE L950 36L35 32° RGBW KIT | 5.90 | 96267323 | |
| Satin 2 Recessed, high ambient temperature, 950mm, 12x44° | | | |
| SATIN2 MRE L950 36L35 12X44° 830 KIT | 6.10 | 96268122 | |
| SATIN2 MRE L950 36L35 12X44° 840 KIT | 6.10 | 96268123 | |
| SATIN2 MRE L950 36L35 12X44° RGBW KIT | 5.90 | 96267347 | |
| Satin 2 Recessed, high ambient temperature, 950mm, asymmetric | | | |
| SATIN2 MRE L950 36L35 A/S 830 KIT | 5.10 | 96268130 | |
| SATIN2 MRE L950 36L35 A/S 840 KIT | 5.10 | 96268131 | |
| SATIN2 MRE L950 36L35 A/S RGBW KIT | 5.90 | 96267371 | |
| Satin 2 Recessed, high ambient temperature, 1250mm, 12° | | | |
| SATIN2 MRE L1250 48L35 12° 830 KIT | 7.30 | 96268108 | |
| SATIN2 MRE L1250 48L35 12° 840 KIT | 7.30 | 96268109 | |
| SATIN2 MRE L1250 48L35 12° RGBW KIT | 7.10 | 96267305 | |
| Satin 2 Recessed, high ambient temperature, 1250mm, 32° | | | |
| SATIN2 MRE L1250 48L35 32° 830 KIT | 7.30 | 96268116 | |
| SATIN2 MRE L1250 48L35 32° 840 KIT | 7.30 | 96268117 | |
| SATIN2 MRE L1250 48L35 32° RGBW KIT | 7.10 | 96267329 | |
| Satin 2 Recessed, high ambient temperature, 1250mm, 12x44° | | | |
| SATIN2 MRE L1250 48L35 12X44° 830 KIT | 7.30 | 96268124 | |
| SATIN2 MRE L1250 48L35 12X44° 840 KIT | 7.30 | 96268125 | |
| SATIN2 MRE L1250 48L35 12X44° RGBW KIT | 7.10 | 96267353 | |
| Satin 2 Recessed, high ambient temperature, 1250mm, asymmetric | | | |
| SATIN2 MRE L1250 48L35 A/S 830 KIT | 7.30 | 96268132 | |
| SATIN2 MRE L1250 48L35 A/S 840 KIT | 7.30 | 96268133 | |
| SATIN2 MRE L1250 48L35 A/S RGBW KIT | 7.10 | 96267377 | |
| Satin 2 Accessories, connections | | | |
| CON CABLE GEL 3/3X2,5 ² 5650/3 IP68 | 0.01 | 96272068 | |
| CONNECT CABLE 2/4X1,5 ²⁻⁴ TH91 IP68 | 0.05 | 96260810 | EFCC2X4 |
| WL FEMALE MALE CONNECT 3POL IP66 | 0.10 | 96241229 | |
| XLR FEMALE CONNECT SPOL DMX IP65 | 0.10 | 96241231 | |
| XLR MAL/FEMA CONNECT SPOL DMX IP65 | 0.10 | 96241232 | |

Satin 2

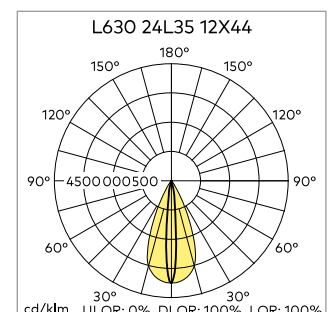
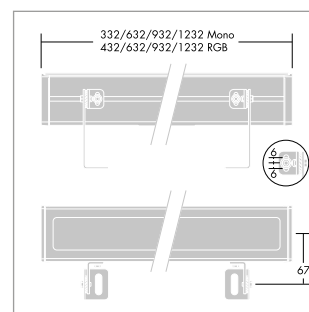
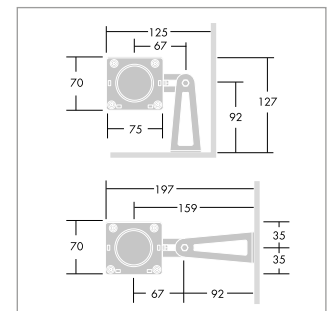
A discreet linear LED floodlight range offering extensive static/dynamic illumination choice and flexibility



www.thornlighting.co.uk/SAT2
www.thornlighting.ie/SAT2

| Description | Wt (kg) | SAP Code | Cat. No. |
|--|---------|----------|----------|
| Satin 2 Accessories, DMX controllers | | | |
| SENSA DMX CONTROLLER BOX IP65 | 1.10 | 96261598 | |
| SENSA DMX CONTROLLER KIT | 1.10 | 96261600 | |
| SENSA DMX TS CONTROLLER BLACK | 0.10 | 96261606 | |
| SENSA DMX TS CONTROLLER WHITE | 0.10 | 96261599 | |
| Satin 2 Accessories, DMX splitters | | | |
| SENSA DMX SPLITTER X4 | 0.15 | 96261602 | |
| SENSA DMX SPLITTER X4 IP65 | 1.50 | 96261605 | |
| Satin 2 Accessories, DMX accessories | | | |
| SENSA DMX ADAPTOR PORT X8 | 0.10 | 96261604 | |
| SENSA DMX CABLE DMX512 | 0.12 | 96261601 | |
| SENSA DMX POWER SUPPLY | 0.10 | 96261603 | |
| SENSA DMX SWITCH 8 POS PREWIRED 3M | 0.05 | 96264082 | |
| Satin 2 Surface accessories, installation | | | |
| SATIN2 MWA ALIGNER (X2) | 0.15 | 96270086 | |
| Satin 2 Surface accessories, ground recessed boxes | | | |
| SATIN2 1230MM FB GL 1300X170X250 | 24.00 | 96267393 | |
| SATIN2 330MM FB GL 420X170X250 | 9.00 | 96267390 | |
| SATIN2 430MM FB GL 500X170X250 | 10.00 | 96268947 | |
| SATIN2 630MM FB GL 700X170X250 | 14.00 | 96267391 | |
| SATIN2 930MM FB GL 1000X170X250 | 19.00 | 96267392 | |
| Satin 2 Recessed Accessories - Ground recessing boxes | | | |
| SATIN2 MRE L1250 RBOX | 5.95 | 96272113 | |
| SATIN2 MRE L350 RBOX | 1.45 | 96272110 | |
| SATIN2 MRE L650 RBOX | 3.90 | 96272111 | |
| SATIN2 MRE L950 RBOX | 4.45 | 96272112 | |

To make reading our ordering guides easier please use the SAP description key fold out, inside the back cover. For more information please visit our website www.thornlighting.co.uk and simply search for our products.





www.thornlighting.co.uk/VIOO
www.thornlighting.ie/VIOO



LAMPS

LED 4.7W

STANDARDS

CE EN 60598 IP65 IK10

- Precise ellipsoidal light beam for focused illumination
- Discreet with no visible screws thanks to a clip locking mechanism
- Small dimensions to appear invisible when installed on window surrounds
- Adapts to all window types and windowsill inclinations with accurate adjustments inside the fixing plate

MATERIALS/FINISH

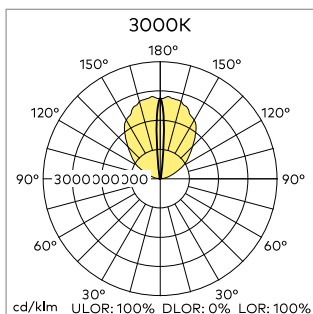
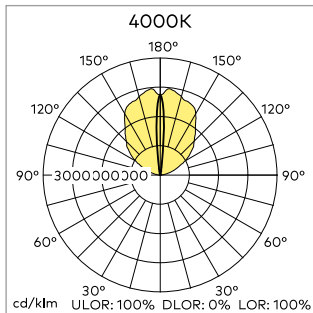
Product body front: painted die-cast aluminium (AB47100) with high corrosion resistance. Marine environment resistance as standard. Light grey (close to RAL 9006) and dark grey (close to RAL 9007). Other RAL colours available on request (minimum order of 20 pieces)
Front glass: polycarbonate
Cable: 1,5m HO5RN-F - 3x1mm²
Screws: A4 grade stainless steel screws with 2,5-3% molybdenum content for better corrosion resistance.

INSTALLATION/MOUNTING

Suitable for surface mounting using screws (not supplied). Ceiling installation is possible. Supplied with 1,5m HO5RN-F - 3 x 1mm² cable. Carefully position prior to fixing. Vioo can be precisely adjusted using 2 Allen keys. Through wiring is not possible.

SPECIFICATION

To specify state:
Small floodlight with ellipsoidal light beam for window surround illumination, indoor and outdoor use, two body colours and two colour temperature versions (3000K/4000K).
As Thorn Vioo.

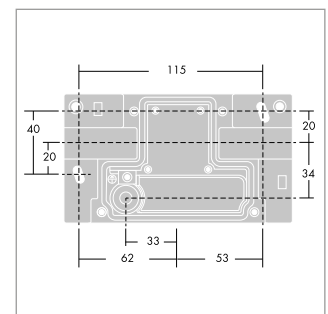
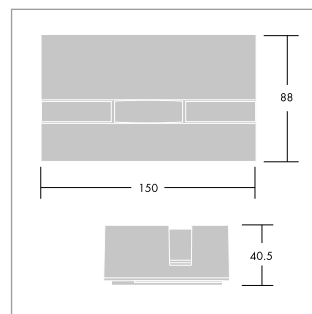
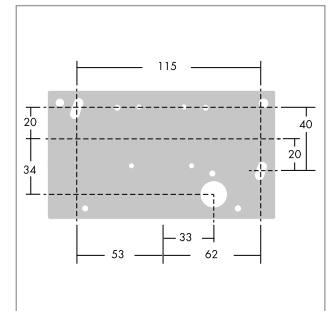


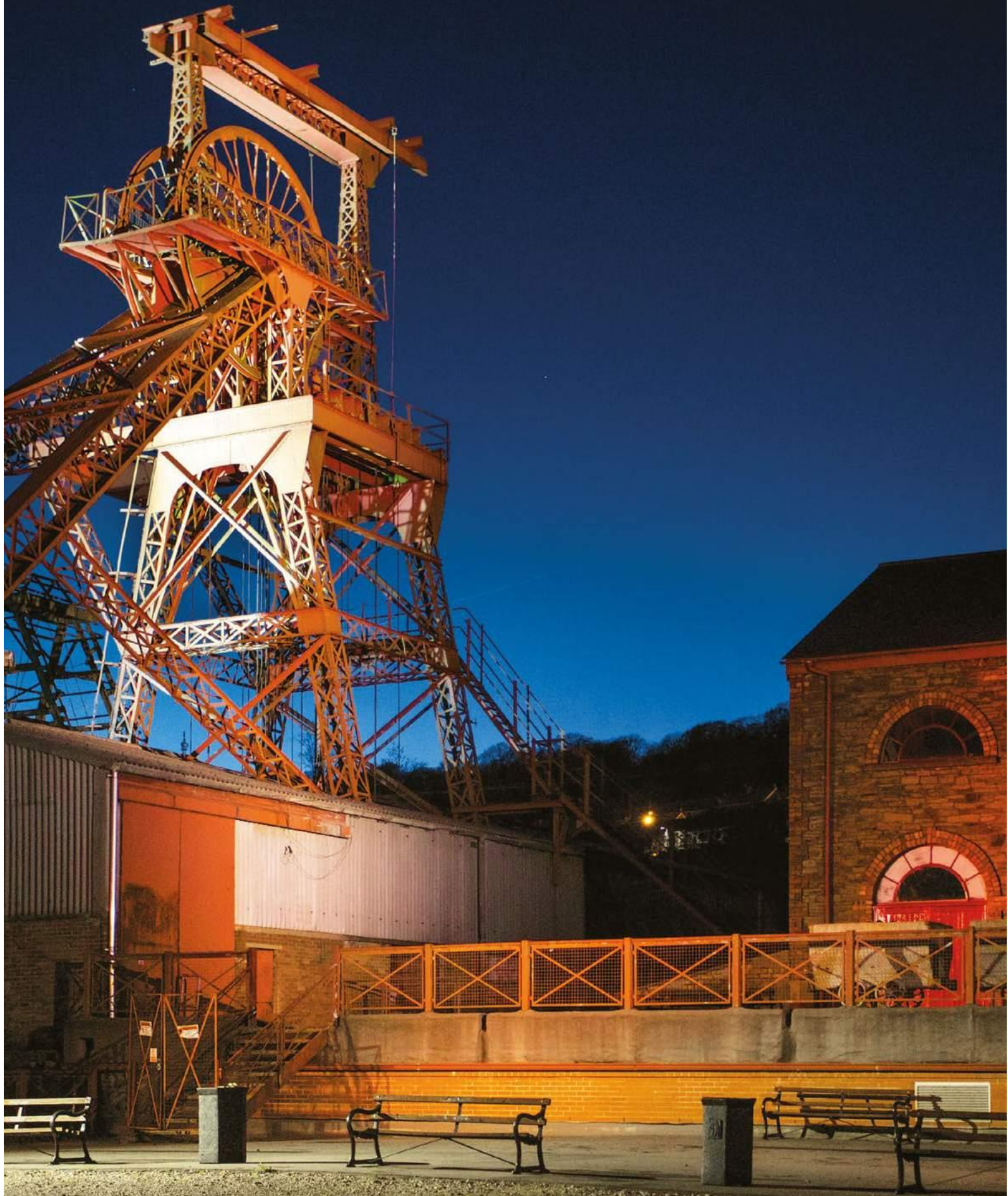
ORDERING GUIDE

Product supplied complete with fixing plate, front, LED and cable.

| Description | Wt (kg) | SAP Code |
|----------------------|---------|----------|
| Vioo | | |
| VIOO 1L120 740 ANT | 0.71 | 96271769 |
| VIOO 1L120 740 LGRY | 0.71 | 96271767 |
| VIOO 1L120 830 ANT | 0.71 | 96271768 |
| VIOO 1L120 830 L GRY | 0.71 | 96271766 |

To make reading our ordering guides easier please use the SAP description key fold out, inside the back cover. For more information please visit our website www.thornlighting.co.uk and simply search for our products.





Outdoor Lighting

AREA FLOODLIGHTING



126
Altis Area



128
Areaflood Pro



132
LED Fit



134
Olsys Area



www.thornlighting.co.uk/ALTA
www.thornlighting.ie/ALTA



High power LED floodlight for area lighting applications



- Excellent control of obtrusive light (Ocd at 90°)
- Flexible optical system optimising lighting distributions for best in class results
- Compact and low weight for minimal structural costs
- Fully controllable solution enabling instant light and stepped illumination levels
- Up to 120 000lm

MATERIALS/FINISH

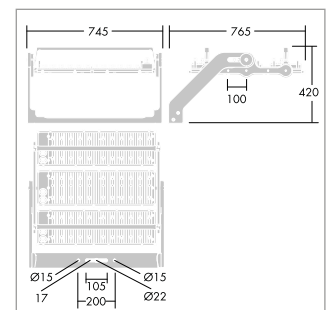
Body : die-cast aluminium (EN AC-47100), painted dark sandy grey (close to RAL 7043)
 Frame and stirrup : die-cast aluminium (EN AC-44100 / EN AC-42200), painted dark sandy grey (close to RAL 7043)
 Glass: 5mm toughened, meeting requirements of CEI 60598-2-5
 Screws: stainless steel

INSTALLATION/MOUNTING

Stirrup fixed using three fixation points available one Ø22mm hole and two Ø15mm holes (nuts and bolts not provided). Frame fixed to stirrup with M10 Hex screw and M8 set screw with the possibility to move the position horizontally (100mm). Tiltable LED modules (+/-50°) fixed on frame with M8 screws and M5 set screw. Vertical aiming from the horizontal: -90° / +90°. Reversible stirrup allows hang down position.
 The LED modules are pre-wired with a 1m long cable and connected to a single harness. Gear Tray IP21 or gear box IP65 installed remotely and supplied separately. Electrical connection to the floodlight is done via a single multi-core cable (female IP68 connector supplied for quick plug-in connection). Main power supply and control (DALI) made via IP68 connectors (supplied). Precision aiming device available and adjustable on top or bottom of LED module.

SPECIFICATION

To specify state:
 High power LED floodlight for high mast area lighting. The floodlight is installed horizontally to avoid obtrusive light (Ocd at 90°) and has tiltable LED modules to optimise lighting designs and minimise number of floodlights in an installation. (28kg for three bricks version and 22kg for two bricks version), highly resistant (IP66, IK08), available with three excellent lighting distribution at both Ta25° and Ta35°C (other ambient temperature available on request). As Thorn Altis Area.





LAMPS

LED

547-1032W

STANDARDS

CE IP66 IK08 T_a25 T_a35

ORDERING GUIDE

| Description | Wt (kg) | SAP Code |
|--|---------|----------|
| Altis Area 396 4000K & 5700K Ta 25° | | |
| ALTIS A 396L85 A4 CL1 L740 v2 | 30.7 | 96275218 |
| ALTIS A 396L85 A5 CL1 L740 v2 | 30.7 | 96275219 |
| ALTIS A 396L85 A6 CL1 L740 v2 | 30.7 | 96275220 |
| ALTIS A 396L85 A4 CL1 L757 v2 | 30.7 | 96275221 |
| ALTIS A 396L85 A5 CL1 L757 v2 | 30.7 | 96275222 |
| ALTIS A 396L85 A6 CL1 L757 v2 | 30.7 | 96275223 |
| ALTIS A 396L85 A4 CL1 L857 v2 | 30.7 | 96275224 |
| ALTIS A 396L85 A5 CL1 L857 v2 | 30.7 | 96275225 |
| ALTIS A 396L85 A6 CL1 L857 v2 | 30.7 | 96275226 |
| ALTIS A 396L85 A4 CL1 L957-TLCI90 v2 | 30.7 | 96275227 |
| ALTIS A 396L85 A5 CL1 L957-TLCI90 v2 | 30.7 | 96275228 |
| ALTIS A 396L85 A6 CL1 L957-TLCI90 v2 | 30.7 | 96275229 |
| Altis Area 396 Ta 25° remote gear control | | |
| GT ALTIS IP21 396L85 CL1 v2 | 6.20 | 96275230 |
| GB ALTIS IP65 396L85 CL1 v2 | 13.0 | 96275231 |
| Altis Area 264 4000K & 5700K Ta 25° | | |
| ALTIS A 264L85 A4 CL1 L740 v2 | 23.5 | 96275232 |
| ALTIS A 264L85 A5 CL1 L740 v2 | 23.5 | 96275233 |
| ALTIS A 264L85 A6 CL1 L740 v2 | 23.5 | 96275234 |
| ALTIS A 264L85 A4 CL1 L757 v2 | 23.5 | 96275235 |
| ALTIS A 264L85 A5 CL1 L757 v2 | 23.5 | 96275236 |
| ALTIS A 264L85 A6 CL1 L757 v2 | 23.5 | 96275237 |
| ALTIS A 264L85 A4 CL1 L857 v2 | 23.5 | 96275238 |
| ALTIS A 264L85 A5 CL1 L857 v2 | 23.5 | 96275239 |
| ALTIS A 264L85 A6 CL1 L857 v2 | 23.5 | 96275240 |
| ALTIS A 264L85 A4 CL1 L957-TLCI90 v2 | 23.5 | 96275241 |
| ALTIS A 264L85 A5 CL1 L957-TLCI90 v2 | 23.5 | 96275242 |
| ALTIS A 264L85 A6 CL1 L957-TLCI90 v2 | 23.5 | 96275243 |

| Description | Wt (kg) | SAP Code |
|--|---------|----------|
| Altis Area 264 Ta 25° remote gear control | | |
| GT ALTIS IP21 264L85 CL1 v2 | 6.2 | 96275244 |
| GB ALTIS IP65 264L85 CL1 v2 | 8.4 | 96275245 |
| Altis Area 396 4000K & 5700K Ta 35° | | |
| ALTIS A 396L70 A4 CL1 L740 T35 v2 | 30.7 | 96275274 |
| ALTIS A 396L70 A5 CL1 L740 T35 v2 | 30.7 | 96275275 |
| ALTIS A 396L70 A6 CL1 L740 T35 v2 | 30.7 | 96275276 |
| ALTIS A 396L70 A4 CL1 L757 T35 v2 | 30.7 | 96275277 |
| ALTIS A 396L70 A5 CL1 L757 T35 v2 | 30.7 | 96275278 |
| ALTIS A 396L70 A6 CL1 L757 T35 v2 | 30.7 | 96275279 |
| ALTIS A 396L70 A4 CL1 L857 T35 v2 | 30.7 | 96275280 |
| ALTIS A 396L70 A5 CL1 L857 T35 v2 | 30.7 | 96275281 |
| ALTIS A 396L70 A6 CL1 L857 T35 v2 | 30.7 | 96275282 |
| ALTIS A 396L70 A4 CL1 L957-TLCI90 T35 v2 | 30.7 | 96275283 |
| ALTIS A 396L70 A5 CL1 L957-TLCI90 T35 v2 | 30.7 | 96275284 |
| ALTIS A 396L70 A6 CL1 L957-TLCI90 T35 v2 | 30.7 | 96275285 |
| Altis Area 396 Ta 35° remote gear control | | |
| GT ALTIS IP21 396L70 CL1 T35 v2 | 6.20 | 96275286 |
| GB ALTIS IP65 396L70 CL1 T35 v2 | 13.0 | 96275287 |
| Altis Area 264 4000K & 5700K Ta 35° | | |
| ALTIS A 264L70 A4 CL1 L740 T35 v2 | 23.5 | 96275288 |
| ALTIS A 264L70 A5 CL1 L740 T35 v2 | 23.5 | 96275289 |
| ALTIS A 264L70 A6 CL1 L740 T35 v2 | 23.5 | 96275290 |
| ALTIS A 264L70 A4 CL1 L757 T35 v2 | 23.5 | 96275291 |
| ALTIS A 264L70 A5 CL1 L757 T35 v2 | 23.5 | 96275292 |
| ALTIS A 264L70 A6 CL1 L757 T35 v2 | 23.5 | 96275293 |
| ALTIS A 264L70 A4 CL1 L857 T35 v2 | 23.5 | 96275294 |
| ALTIS A 264L70 A5 CL1 L857 T35 v2 | 23.5 | 96275295 |
| ALTIS A 264L70 A6 CL1 L857 T35 v2 | 23.5 | 96275296 |
| ALTIS A 264L70 A4 CL1 L957-TLCI90 T35 v2 | 23.5 | 96275297 |
| ALTIS A 264L70 A5 CL1 L957-TLCI90 T35 v2 | 23.5 | 96275298 |
| ALTIS A 264L70 A6 CL1 L957-TLCI90 T35 v2 | 23.5 | 96275299 |
| Altis Area 264 Ta 35° remote gear control | | |
| GT ALTIS IP21 264L70 CL1 T35 v2 | 6.2 | 96275300 |
| GB ALTIS IP65 264L70 CL1 T35 v2 | 8.4 | 96275301 |

To make reading our ordering guides easier please use the SAP description key fold out, inside the back cover. For more information please visit our website www.thornlighting.co.uk and simply search for our products.

Areaflood

Pro



www.thornlighting.co.uk/AFLP
www.thornlighting.ie/AFLP



- Best optical performance and efficiency
- Optimal control of light (Ocd at 90°, minimal spill light) for the comfort of inhabitants
- Compactness and reduced weight to avoid additional structural costs in retrofit installations
- 100k hrs rated lifetime on both drivers and LEDs
- Medium and large versions are compliant with DIN 18032-3:1997-04 (Sports halls - halls for gymnastics, games and multi-purpose use - Part 3: Testing of safety against ball throwing)

MATERIALS/FINISH

Body and stirrup: die-cast aluminium (EN AC-46000) painted grey (RAL 9006)

Glass: 4mm toughened

Screws: stainless steel

INSTALLATION/MOUNTING

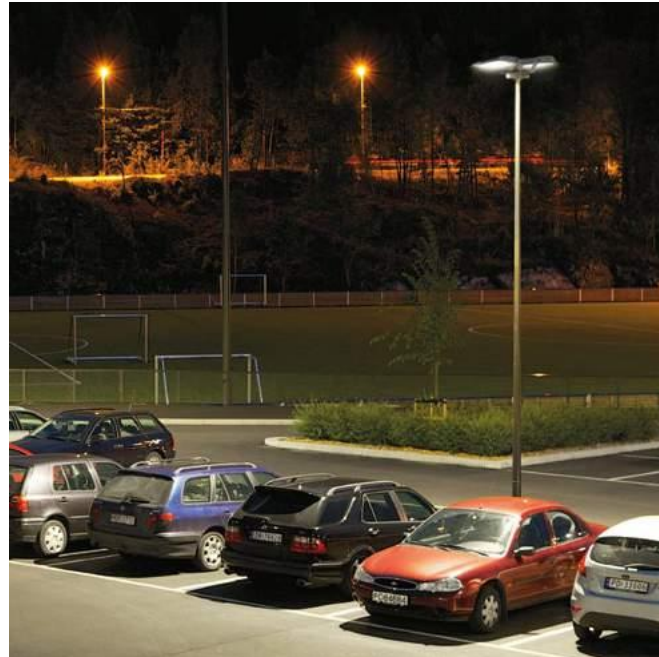
For small version, stirrup fixed by a single bolt through one Ø22mm hole or two Ø12mm holes. For medium and large versions, it is fixed by a single bolt through one Ø22mm hole or two Ø15mm holes or two Ø12mm holes. Stirrup is reversible for hang down position. Integral gear tray, access by removal of canopy via 4 allen screws. Cable gland for Ø8-12mm cable. Optional spigot adaptors available separately for post top mounting. Typical installation position is horizontal, although limited tilt may be useful to optimise lighting distributions. Uplighting position allowed. A special surface treatment is required for swimming pool installation and coastal areas.

SPECIFICATION

To specify state:
 Asymmetrical LED floodlight for general purpose area lighting and sports lighting. 3 sizes available, lumen package from 5 to 37klm, with a range of 5 light distributions. High performance floodlight with excellent control of light (Ocd at 90°), high mechanical resistance (IP66, IK08) and full controls compatibility (dimming, lighting controls). Available in electrical class I and class II.

As Thorn Areaflood Pro.

General purpose LED area floodlight with superior optical performance and control



ORDERING GUIDE

| Description | Wt (kg) | SAP Code | Cat. No. |
|---|---------|----------|----------------|
| Areaflood Pro Small, Asymmetric optic 40°, bi-power | | | |
| AFP S 24L35-740 A/S4 BPS CL1 | 6.18 | 96644710 | AFPS24L35BSA4 |
| AFP S 24L50-740 A/S4 BPS CL1 | 6.18 | 96644730 | AFPS24L50BSA4 |
| AFP S 36L35-740 A/S4 BPS CL1 | 6.22 | 96644770 | AFPS36L35BSA4 |
| AFP S 24L70-740 A/S4 BPS CL1 | 6.18 | 96644750 | AFPS24L70BSA4 |
| AFP S 36L50-740 A/S4 BPS CL1 | 6.22 | 96644790 | AFPS36L50BSA4 |
| AFP S 36L70-740 A/S4 BPS CL1 | 6.27 | 96644820 | AFPS36L70BSA4 |
| Areaflood Pro Small, Asymmetric optic 40°, DALI dimmable | | | |
| AFP S 24L35-740 A/S4 HFX CL1 | 6.16 | 96644725 | AFPS24L35YA4 |
| AFP S 24L50-740 A/S4 HFX CL1 | 6.16 | 96644745 | AFPS24L50YA4 |
| AFP S 36L35-740 A/S4 HFX CL1 | 6.20 | 96644785 | AFPS36L35YA4 |
| AFP S 24L70-740 A/S4 HFX CL1 | 6.16 | 96644765 | AFPS24L70YA4 |
| AFP S 36L50-740 A/S4 HFX CL1 | 6.20 | 96644815 | AFPS36L50YA4 |
| AFP S 36L70-740 A/S4 HFX CL1 | 6.25 | 96644853 | AFPS36L70YA4 |
| Areaflood Pro Small, Asymmetric optic 40°, configured products | | | |
| AFP S 36L50-740 A/S4 BPS CLO CL1 | 6.22 | 96644800 | AFPS36L50BSA4 |
| AFP S 36L70-740 A/S4 BPS CL1 HT | 6.29 | 96644840 | AFPS36L70BSA4H |
| AFP S 36L70-740 A/S4 BPS CL1 PM | 6.37 | 96644835 | AFPS36L70BSMA4 |
| AFP S 36L70-740 A/S4 BPS CL1 PN | 6.39 | 96644830 | AFPS36L70BSNA4 |
| AFP S 36L70-740 A/S4 HFX CL1 HT | 6.29 | 96644858 | AFPS36L70YA4H |
| Areaflood Pro Small, Asymmetric optic 50°, bi-power | | | |
| AFP S 24L35-740 A/S5 BPS CL1 | 6.18 | 96644712 | AFPS24L35BSA5 |
| AFP S 24L50-740 A/S5 BPS CL1 | 6.18 | 96644732 | AFPS24L50BSA5 |
| AFP S 36L35-740 A/S5 BPS CL1 | 6.22 | 96644772 | AFPS36L35BSA5 |
| AFP S 24L70-740 A/S5 BPS CL1 | 6.18 | 96644752 | AFPS24L70BSA5 |
| AFP S 36L50-740 A/S5 BPS CL1 | 6.22 | 96644792 | AFPS36L50BSA5 |
| AFP S 36L70-740 A/S5 BPS CL1 | 6.27 | 96644822 | AFPS36L70BSA5 |
| Areaflood Pro Small, Asymmetric optic 50°, DALI dimmable | | | |
| AFP S 24L35-740 A/S5 HFX CL1 | 6.16 | 96644726 | AFPS24L35YA5 |
| AFP S 24L50-740 A/S5 HFX CL1 | 6.16 | 96644746 | AFPS24L50YA5 |
| AFP S 36L35-740 A/S5 HFX CL1 | 6.20 | 96644786 | AFPS36L35YA5 |
| AFP S 24L70-740 A/S5 HFX CL1 | 6.16 | 96644766 | AFPS24L70YA5 |
| AFP S 36L50-740 A/S5 HFX CL1 | 6.20 | 96644816 | AFPS36L50YA5 |
| AFP S 36L70-740 A/S5 HFX CL1 | 6.25 | 96644854 | AFPS36L70YA5 |
| Areaflood Pro Small, Asymmetric optic 50°, configured products | | | |
| AFP S 36L50-740 A/S5 BPS CLO CL1 | 6.22 | 96644802 | AFPS36L50BSA5 |
| AFP S 36L70-740 A/S5 BPS CL1 HT | 6.29 | 96644841 | AFPS36L70BSA5H |
| AFP S 36L70-740 A/S5 BPS CL1 PM | 6.37 | 96644836 | AFPS36L70BSMA5 |
| AFP S 36L70-740 A/S5 BPS CL1 PN | 6.39 | 96644831 | AFPS36L70BSNA5 |
| AFP S 36L70-740 A/S5 HFX CL1 HT | 6.29 | 96644859 | AFPS36L70YA5H |



Small version



Large version



Medium version

LAMPS

LED

28-308W

STANDARDS

CE IP66 IK08

| Description | Wt (kg) | SAP Code | Cat. No. |
|--|---------|----------|------------------|
| Areaflood Pro Small, Asymmetric optic 60°, bi-power | | | |
| AFP S 24L35-740 A/S6 BPS CL1 | 6.18 | 96644714 | AFPS24L35BSA6 |
| AFP S 24L50-740 A/S6 BPS CL1 | 6.18 | 96644734 | AFPS24L50BSA6 |
| AFP S 36L35-740 A/S6 BPS CL1 | 6.22 | 96644774 | AFPS36L35BSA6 |
| AFP S 24L70-740 A/S6 BPS CL1 | 6.18 | 96644754 | AFPS24L70BSA6 |
| AFP S 36L50-740 A/S6 BPS CL1 | 6.22 | 96644794 | AFPS36L50BSA6 |
| AFP S 36L70-740 A/S6 BPS CL1 | 6.27 | 96644824 | AFPS36L70BSA6 |
| Areaflood Pro Small, Asymmetric optic 60°, DALI dimmable | | | |
| AFP S 24L35-740 A/S6 HFX CL1 | 6.16 | 96644727 | AFPS24L35YA6 |
| AFP S 24L50-740 A/S6 HFX CL1 | 6.16 | 96644747 | AFPS24L50YA6 |
| AFP S 36L35-740 A/S6 HFX CL1 | 6.20 | 96644787 | AFPS36L35YA6 |
| AFP S 24L70-740 A/S6 HFX CL1 | 6.16 | 96644767 | AFPS24L70YA6 |
| AFP S 36L50-740 A/S6 HFX CL1 | 6.20 | 96644817 | AFPS36L50YA6 |
| AFP S 36L70-740 A/S6 HFX CL1 | 6.25 | 96644855 | AFPS36L70YA6 |
| Areaflood Pro Small, Asymmetric optic 60°, configured products | | | |
| AFP S 36L50-740 A/S6 BPS CLO CL1 | 6.22 | 96644804 | AFPS36L50BSCA6 |
| AFP S 36L70-740 A/S6 BPS CL1 HT | 6.29 | 96644842 | AFPS36L70BSA6H |
| AFP S 36L70-740 A/S6 BPS CL1 PM | 6.37 | 96644837 | AFPS36L70BSMA6 |
| AFP S 36L70-740 A/S6 BPS CL1 PN | 6.39 | 96644832 | AFPS36L70BSNA6 |
| AFP S 36L70-740 A/S6 HFX CL1 HT | 6.29 | 96644860 | AFPS36L70YA6H |
| Areaflood Pro Small, Extra wide road optic, bi-power | | | |
| AFP S 24L35-740 EWR BPS CL1 | 6.18 | 96644716 | AFPS24L35BSXR |
| AFP S 24L50-740 EWR BPS CL1 | 6.18 | 96644736 | AFPS24L50BSXR |
| AFP S 36L35-740 EWR BPS CL1 | 6.22 | 96644776 | AFPS36L35BSXR |
| AFP S 24L70-740 EWR BPS CL1 | 6.18 | 96644756 | AFPS24L70BSXR |
| AFP S 36L50-740 EWR BPS CL1 | 6.22 | 96644796 | AFPS36L50BSXR |
| AFP S 36L70-740 EWR BPS CL1 | 6.27 | 96644826 | AFPS36L70BSXR |
| Areaflood Pro Small, Extra wide road optic, DALI dimmable | | | |
| AFP S 24L35-740 EWR HFX CL1 | 6.16 | 96644728 | AFPS24L35YXR |
| AFP S 24L50-740 EWR HFX CL1 | 6.16 | 96644748 | AFPS24L50YXR |
| AFP S 36L35-740 EWR HFX CL1 | 6.20 | 96644788 | AFPS36L35YXR |
| AFP S 24L70-740 EWR HFX CL1 | 6.16 | 96644768 | AFPS24L70YXR |
| AFP S 36L50-740 EWR HFX CL1 | 6.20 | 96644818 | AFPS36L50YXR |
| AFP S 36L70-740 EWR HFX CL1 | 6.25 | 96644856 | AFPS36L70YXR |
| Areaflood Pro Small, Extra wide road optic, configured products | | | |
| AFP S 36L50-740 EWR BPS CLO CL1 | 6.22 | 96644806 | AFPS36L50BSCXR |
| AFP S 36L70-740 EWR BPS CL1 10KV | 6.37 | 96644845 | AFPS36L70BSXR10 |
| AFP S 36L70-740 EWR BPS CL1 HT | 6.29 | 96644843 | AFPS36L70BSXRH |
| AFP S 36L70-740 EWR BPS CL1 HT 10KV | 6.34 | 96644847 | AFPS36L70BSXRH10 |
| AFP S 36L70-740 EWR BPS CL1 PM | 6.37 | 96644838 | AFPS36L70BSMXR |
| AFP S 36L70-740 EWR BPS CL1 PN | 6.39 | 96644833 | AFPS36L70BSNXR |
| AFP S 36L70-740 EWR CL1 PNS | 6.51 | 96644875 | AFPS36L70BSNSXR |

| Description | Wt (kg) | SAP Code | Cat. No. |
|--|---------|----------|-----------------|
| AFP S 36L70-740 EWR CL1 RF | | 96644874 | AFPS36L70BSWXR |
| AFP S 36L70-740 EWR HFX CL1 10KV | 6.34 | 96644864 | AFPS36L70YXR10 |
| AFP S 36L70-740 EWR HFX CL1 HT | 6.29 | 96644861 | AFPS36L70YXRH |
| AFP S 36L70-740 EWR HFX CL1 HT 10KV | 6.34 | 96644865 | AFPS36L70YXRH10 |
| Areaflood Pro Small, Wide road optic, bi-power | | | |
| AFP S 24L35-740 WR BPS CL1 | 6.18 | 96644718 | AFPS24L35BSWR |
| AFP S 24L50-740 WR BPS CL1 | 6.18 | 96644738 | AFPS24L50BSWR |
| AFP S 36L35-740 WR BPS CL1 | 6.22 | 96644778 | AFPS36L35BSWR |
| AFP S 24L70-740 WR BPS CL1 | 6.18 | 96644758 | AFPS24L70BSWR |
| AFP S 36L50-740 WR BPS CL1 | 6.22 | 96644798 | AFPS36L50BSWR |
| AFP S 36L70-740 WR BPS CL1 | 6.27 | 96644828 | AFPS36L70BSWR |
| Areaflood Pro Small, Wide road optic, DALI dimmable | | | |
| AFP S 24L35-740 WR HFX CL1 | 6.16 | 96644729 | AFPS24L35YWR |
| AFP S 24L50-740 WR HFX CL1 | 6.16 | 96644749 | AFPS24L50YWR |
| AFP S 36L35-740 WR HFX CL1 | 6.20 | 96644789 | AFPS36L35YWR |
| AFP S 24L70-740 WR HFX CL1 | 6.16 | 96644769 | AFPS24L70YWR |
| AFP S 36L50-740 WR HFX CL1 | 6.20 | 96644819 | AFPS36L50YWR |
| AFP S 36L70-740 WR HFX CL1 | 6.25 | 96644857 | AFPS36L70YWR |
| Areaflood Pro Small, Wide road optic, configured products | | | |
| AFP S 36L50-740 WR BPS CLO CL1 | 6.22 | 96644808 | AFPS36L50BSCWR |
| AFP S 36L70-740 WR BPS CL1 HT | 6.29 | 96644844 | AFPS36L70BSWRH |
| AFP S 36L70-740 WR BPS CL1 PM | 6.37 | 96644839 | AFPS36L70BSMWR |
| AFP S 36L70-740 WR BPS CL1 PN | 6.39 | 96644834 | AFPS36L70BSNWR |
| AFP S 36L70-740 WR HFX CL1 HT | 6.29 | 96644862 | AFPS36L70YWRH |
| Areaflood Pro Medium, Asymmetric optic 40°, bi-power | | | |
| AFP M 48L35-740 A/S4 BPS CL1 | 13.00 | 96644878 | AFPM48L35BSA4 |
| AFP M 48L50-740 A/S4 BPS CL1 | 13.01 | 96644898 | AFPM48L50BSA4 |
| AFP M 72L35-740 A/S4 BPS CL1 | 13.81 | 96644938 | AFPM72L35BSA4 |
| AFP M 48L70-740 A/S4 BPS CL1 | 13.68 | 96644918 | AFPM48L70BSA4 |
| AFP M 72L50-740 A/S4 BPS CL1 | 13.81 | 96644958 | AFPM72L50BSA4 |
| AFP M 72L70-740 A/S4 BPS CL1 | 13.81 | 96644988 | AFPM72L70BSA4 |
| Areaflood Pro Medium, Asymmetric optic 40°, DALI dimmable | | | |
| AFP M 48L35-740 A/S4 HFX CL1 | 13.98 | 96644893 | AFPM48L35YA4 |
| AFP M 48L50-740 A/S4 HFX CL1 | 13.98 | 96644913 | AFPM48L50YA4 |
| AFP M 72L35-740 A/S4 HFX CL1 | 13.78 | 96644953 | AFPM72L35YA4 |
| AFP M 48L70-740 A/S4 HFX CL1 | 13.65 | 96644933 | AFPM48L70YA4 |
| AFP M 72L50-740 A/S4 HFX CL1 | 13.78 | 96644983 | AFPM72L50YA4 |
| AFP M 72L70-740 A/S4 HFX CL1 | 13.78 | 96645021 | AFPM72L70YA4 |

Areaflood

Pro



www.thornlighting.co.uk/AFLP
www.thornlighting.ie/AFLP

| Description | Wt (kg) | SAP Code | Cat. No. |
|---|---------|----------|--------------------|
| Areaflood Pro Medium, Asymmetric optic 40°, configured products | | | |
| AFP M 72L50-740 A/S4 BPS CLO CL1 | 13.81 | 96644968 | AFPM72L50BSCA4 |
| AFP M 72L70-740 A/S4 BPS CL1 HT | 13.82 | 96645008 | AFPM72L70BSA4H |
| AFP M 72L70-740 A/S4 BPS CL1 PM | 13.89 | 96645003 | AFPM72L70BSMA4 |
| AFP M 72L70-740 A/S4 BPS CL1 PN | 13.91 | 96644998 | AFPM72L70BSNA4 |
| AFP M 72L70-740 A/S4 HFX CL1 HT | 13.82 | 96645026 | AFPM72L70YA4H |
| Areaflood Pro Medium, Asymmetric optic 50°, bi-power | | | |
| AFP M 48L35-740 A/S5 BPS CL1 | 13.00 | 96644880 | AFPM48L35BSA5 |
| AFP M 48L50-740 A/S5 BPS CL1 | 13.01 | 96644900 | AFPM48L50BSA5 |
| AFP M 72L35-740 A/S5 BPS CL1 | 13.81 | 96644940 | AFPM72L35BSA5 |
| AFP M 48L70-740 A/S5 BPS CL1 | 13.68 | 96644920 | AFPM48L70BSA5 |
| AFP M 72L50-740 A/S5 BPS CL1 | 13.81 | 96644960 | AFPM72L50BSA5 |
| AFP M 72L70-740 A/S5 BPS CL1 | 13.81 | 96644990 | AFPM72L70BSA5 |
| Areaflood Pro Medium, Asymmetric optic 50°, DALI dimmable | | | |
| AFP M 48L35-740 A/S5 HFX CL1 | 13.98 | 96644894 | AFPM48L35YA5 |
| AFP M 48L50-740 A/S5 HFX CL1 | 13.98 | 96644914 | AFPM48L50YA5 |
| AFP M 72L35-740 A/S5 HFX CL1 | 13.78 | 96644954 | AFPM72L35YA5 |
| AFP M 48L70-740 A/S5 HFX CL1 | 13.65 | 96644934 | AFPM48L70YA5 |
| AFP M 72L50-740 A/S5 HFX CL1 | 13.78 | 96644984 | AFPM72L50YA5 |
| AFP M 72L70-740 A/S5 HFX CL1 | 13.78 | 96645022 | AFPM72L70YA5 |
| Areaflood Pro Medium, Asymmetric optic 50°, configured products | | | |
| AFP M 72L50-740 A/S5 BPS CLO CL1 | 13.81 | 96644970 | AFPM72L50BSCA5 |
| AFP M 72L70-740 A/S5 BPS CL1 HT | 13.82 | 96645009 | AFPM72L70BSA5H |
| AFP M 72L70-740 A/S5 BPS CL1 PM | 13.89 | 96645004 | AFPM72L70BSMA5 |
| AFP M 72L70-740 A/S5 BPS CL1 PN | 13.91 | 96644999 | AFPM72L70BSNA5 |
| AFP M 72L70-740 A/S5 HFX CL1 HT | 13.82 | 96645027 | AFPM72L70YA5H |
| Areaflood Pro Medium, Asymmetric optic 60°, bi-power | | | |
| AFP M 48L35-740 A/S6 BPS CL1 | 13.00 | 96644882 | AFPM48L35BSA6 |
| AFP M 48L50-740 A/S6 BPS CL1 | 13.01 | 96644902 | AFPM48L50BSA6 |
| AFP M 72L35-740 A/S6 BPS CL1 | 13.81 | 96644942 | AFPM72L35BSA6 |
| AFP M 48L70-740 A/S6 BPS CL1 | 13.68 | 96644922 | AFPM48L70BSA6 |
| AFP M 72L50-740 A/S6 BPS CL1 | 13.81 | 96644962 | AFPM72L50BSA6 |
| AFP M 72L70-740 A/S6 BPS CL1 | 13.81 | 96644992 | AFPM72L70BSA6 |
| Areaflood Pro Medium, Asymmetric optic 60°, DALI dimmable | | | |
| AFP M 48L35-740 A/S6 HFX CL1 | 13.98 | 96644895 | AFPM48L35YA6 |
| AFP M 48L50-740 A/S6 HFX CL1 | 13.98 | 96644915 | AFPM48L50YA6 |
| AFP M 72L35-740 A/S6 HFX CL1 | 13.78 | 96644955 | AFPM72L35YA6 |
| AFP M 48L70-740 A/S6 HFX CL1 | 13.65 | 96644935 | AFPM48L70YA6 |
| AFP M 72L50-740 A/S6 HFX CL1 | 13.78 | 96644985 | AFPM72L50YA6 |
| AFP M 72L70-740 A/S6 HFX CL1 | 13.78 | 96645023 | AFPM72L70YA6 |
| Areaflood Pro Medium, Asymmetric optic 60°, configured products | | | |
| AFP M 72L50-740 A/S6 BPS CLO CL1 | 13.81 | 96644972 | AFPM72L50BSCA6 |
| AFP M 72L70-740 A/S6 BPS CL1 HT | 13.82 | 96645010 | AFPM72L70BSA6H |
| AFP M 72L70-740 A/S6 BPS CL1 PM | 13.89 | 96645005 | AFPM72L70BSMA6 |
| AFP M 72L70-740 A/S6 BPS CL1 PN | 13.91 | 96645000 | AFPM72L70BSNA6 |
| AFP M 72L70-740 A/S6 HFX CL1 HT | 13.82 | 96645028 | AFPM72L70YA6H |
| Areaflood Pro Medium, Extra wide road optic, bi-power | | | |
| AFP M 48L35-740 EWR BPS CL1 | 13.00 | 96644884 | AFPM48L35BSXR |
| AFP M 48L50-740 EWR BPS CL1 | 13.01 | 96644904 | AFPM48L50BSXR |
| AFP M 72L35-740 EWR BPS CL1 | 13.81 | 96644944 | AFPM72L35BSXR |
| AFP M 48L70-740 EWR BPS CL1 | 13.68 | 96644924 | AFPM48L70BSXR |
| AFP M 72L50-740 EWR BPS CL1 | 13.81 | 96644964 | AFPM72L50BSXR |
| AFP M 72L70-740 EWR BPS CL1 | 13.81 | 96644994 | AFPM72L70BSXR |
| Areaflood Pro Medium, Extra wide road optic, DALI dimmable | | | |
| AFP M 48L35-740 EWR HFX CL1 | 13.98 | 96644896 | AFPM48L35YXR |
| AFP M 48L50-740 EWR HFX CL1 | 13.98 | 96644916 | AFPM48L50YXR |
| AFP M 72L35-740 EWR HFX CL1 | 13.78 | 96644956 | AFPM72L35YXR |
| AFP M 48L70-740 EWR HFX CL1 | 13.65 | 96644936 | AFPM48L70YXR |
| AFP M 72L50-740 EWR HFX CL1 | 13.78 | 96644986 | AFPM72L50YXR |
| AFP M 72L70-740 EWR HFX CL1 | 13.78 | 96645024 | AFPM72L70YXR |
| Areaflood Pro Medium, Extra wide road optic, configured products | | | |
| AFP M 72L50-740 EWR BPS CLO CL1 | 13.81 | 96644974 | AFPM72L50BSXR10 |
| AFP M 72L70-740 EWR BPS CL1 10KV | 13.90 | 96645013 | AFPM72L70BSXR10 |
| AFP M 72L70-740 EWR BPS CL1 HT | 13.82 | 96645011 | AFPM72L70BSXR10H |
| AFP M 72L70-740 EWR BPS CL1 HT 10KV | 13.92 | 96645015 | AFPM72L70BSXR10H10 |
| AFP M 72L70-740 EWR BPS CL1 PM | 13.89 | 96645006 | AFPM72L70BSMXR |
| AFP M 72L70-740 EWR BPS CL1 PN | 13.91 | 96645001 | AFPM72L70BSNXR |
| AFP M 72L70-740 EWR CL1 PN5 | 13.92 | 96645043 | AFPM72L70BSN5XR |
| AFP M 72L70-740 EWR CL1 RF | 11.90 | 96645042 | AFPM72L70BSWXR |
| AFP M 72L70-740 EWR HFX CL1 10KV | 13.91 | 96645032 | AFPM72L70YXR10 |
| AFP M 72L70-740 EWR HFX CL1 HT | 13.82 | 96645029 | AFPM72L70YXR10H |
| AFP M 72L70-740 EWR HFX CL1 HT 10KV | 13.92 | 96645033 | AFPM72L70YXR10H10 |

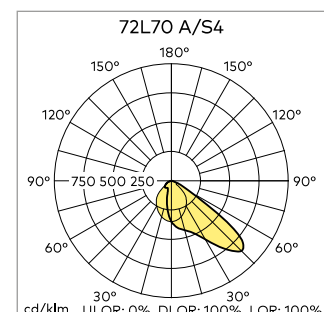
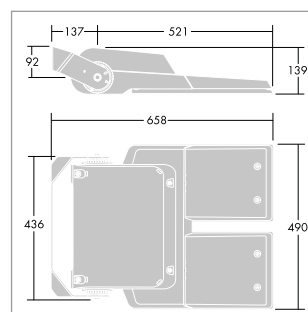
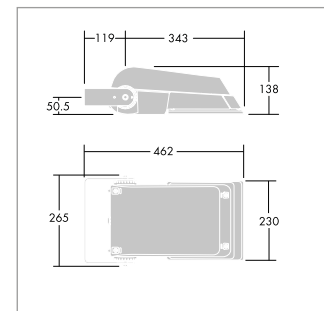
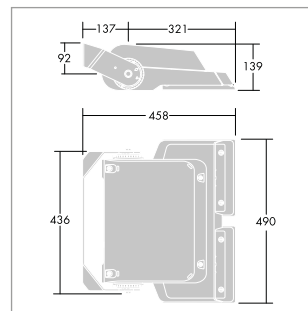
General purpose LED area floodlight with superior optical performance and control

| Description | Wt (kg) | SAP Code | Cat. No. |
|---|---------|----------|-----------------|
| Areaflood Pro Medium, Wide road optic, bi-power | | | |
| AFP M 48L35-740 WR BPS CL1 | 13.00 | 96644886 | AFPM48L35BSWR |
| AFP M 48L50-740 WR BPS CL1 | 13.01 | 96644906 | AFPM48L50BSWR |
| AFP M 72L35-740 WR BPS CL1 | 13.81 | 96644946 | AFPM72L35BSWR |
| AFP M 48L70-740 WR BPS CL1 | 13.68 | 96644926 | AFPM48L70BSWR |
| AFP M 72L50-740 WR BPS CL1 | 13.81 | 96644966 | AFPM72L50BSWR |
| AFP M 72L70-740 WR BPS CL1 | 13.81 | 96644996 | AFPM72L70BSWR |
| Areaflood Pro Medium, Wide road optic, DALI dimmable | | | |
| AFP M 48L35-740 WR HFX CL1 | 13.98 | 96644897 | AFPM48L35YWR |
| AFP M 72L35-740 WR HFX CL1 | 13.78 | 96644957 | AFPM72L35YWR |
| AFP M 48L50-740 WR HFX CL1 | 13.98 | 96644917 | AFPM48L50YWR |
| AFP M 48L70-740 WR HFX CL1 | 13.65 | 96644937 | AFPM48L70YWR |
| AFP M 72L50-740 WR HFX CL1 | 13.78 | 96644987 | AFPM72L50YWR |
| AFP M 72L70-740 WR HFX CL1 | 13.78 | 96645025 | AFPM72L70YWR |
| Areaflood Pro Medium, Wide road optic, configured products | | | |
| AFP M 72L50-740 WR BPS CLO CL1 | 13.81 | 96644976 | AFPM72L50BSWCW |
| AFP M 72L70-740 WR BPS CL1 HT | 13.82 | 96645012 | AFPM72L70BSWRH |
| AFP M 72L70-740 WR BPS CL1 PM | 13.89 | 96645007 | AFPM72L70BSMWR |
| AFP M 72L70-740 WR BPS CL1 PN | 13.91 | 96645002 | AFPM72L70BSNWR |
| AFP M 72L70-740 WR HFX CL1 HT | 13.82 | 96645030 | AFPM72L70YWRH |
| Areaflood Pro Large, Asymmetric optic 40°, bi-power | | | |
| AFP L 96L35-740 A/S4 BPS CL1 | 17.36 | 96645046 | AFPL96L35BSA4 |
| AFP L 120L35-740 A/S4 BPS CL1 | 17.08 | 96644542 | AFPL120L35BSA4 |
| AFP L 96L50-740 A/S4 BPS CL1 | 17.36 | 96645066 | AFPL96L50BSA4 |
| AFP L 144L35-740 A/S4 BPS CL1 | 18.52 | 96644602 | AFPL144L35BSA4 |
| AFP L 120L50-740 A/S4 BPS CL1 | 18.43 | 96644562 | AFPL120L50BSA4 |
| AFP L 96L70-740 A/S4 BPS CL1 | 18.43 | 96645086 | AFPL96L70BSA4 |
| AFP L 144L50-740 A/S4 BPS CL1 | 18.52 | 96644622 | AFPL144L50BSA4 |
| AFP L 120L70-740 A/S4 BPS CL1 | 18.43 | 96644582 | AFPL120L70BSA4 |
| AFP L 144L70-740 A/S4 BPS CL1 | 18.52 | 96644652 | AFPL144L70BSA4 |
| Areaflood Pro Large, Asymmetric optic 40°, DALI dimmable | | | |
| AFP L 96L35-740 A/S4 HFX CL1 | 15.27 | 96645061 | AFPL96L35YA4 |
| AFP L 120L35-740 A/S4 HFX CL1 | 17.10 | 96644557 | AFPL120L35YA4 |
| AFP L 96L50-740 A/S4 HFX CL1 | 15.27 | 96645081 | AFPL96L50YA4 |
| AFP L 144L35-740 A/S4 HFX CL1 | 18.54 | 96644617 | AFPL144L35YA4 |
| AFP L 120L50-740 A/S4 HFX CL1 | 18.45 | 96644577 | AFPL120L50YA4 |
| AFP L 96L70-740 A/S4 HFX CL1 | 18.40 | 96645101 | AFPL96L70YA4 |
| AFP L 144L50-740 A/S4 HFX CL1 | 18.54 | 96644647 | AFPL144L50YA4 |
| AFP L 120L70-740 A/S4 HFX CL1 | 18.45 | 96644597 | AFPL120L70YA4 |
| AFP L 144L70-740 A/S4 HFX CL1 | 18.54 | 96644685 | AFPL144L70YA4 |
| Areaflood Pro Large, Asymmetric optic 40°, configured products | | | |
| AFP L 144L50-740 A/S4 BPS CLO CL1 | 18.52 | 96644632 | AFPL144L50BSCA4 |
| AFP L 144L70-740 A/S4 BPS CL1 HT | 18.55 | 96644672 | AFPL144L70BSA4H |
| AFP L 144L70-740 A/S4 BPS CL1 PM | 18.62 | 96644667 | AFPL144L70BSMA4 |
| AFP L 144L70-740 A/S4 BPS CL1 PN | 18.64 | 96644662 | AFPL144L70BSNA4 |
| AFP L 144L70-740 A/S4 HFX CL1 HT | 18.56 | 96644690 | AFPL144L70YA4H |
| Areaflood Pro Large, Asymmetric optic 50°, bi-power | | | |
| AFP L 96L35-740 A/S5 BPS CL1 | 17.36 | 96645048 | AFPL96L35BSA5 |
| AFP L 120L35-740 A/S5 BPS CL1 | 17.08 | 96644544 | AFPL120L35BSA5 |
| AFP L 96L50-740 A/S5 BPS CL1 | 17.36 | 96645068 | AFPL96L50BSA5 |
| AFP L 144L35-740 A/S5 BPS CL1 | 18.52 | 96644604 | AFPL144L35BSA5 |
| AFP L 120L50-740 A/S5 BPS CL1 | 18.43 | 96644564 | AFPL120L50BSA5 |
| AFP L 96L70-740 A/S5 BPS CL1 | 18.43 | 96645088 | AFPL96L70BSA5 |
| AFP L 144L50-740 A/S5 BPS CL1 | 18.52 | 96644624 | AFPL144L50BSA5 |
| AFP L 120L70-740 A/S5 BPS CL1 | 18.43 | 96644584 | AFPL120L70BSA5 |
| AFP L 144L70-740 A/S5 BPS CL1 | 18.52 | 96644654 | AFPL144L70BSA5 |
| Areaflood Pro Large, Asymmetric optic 50°, DALI dimmable | | | |
| AFP L 96L35-740 A/S5 HFX CL1 | 15.27 | 96645062 | AFPL96L35YA5 |
| AFP L 120L35-740 A/S5 HFX CL1 | 17.10 | 96644558 | AFPL120L35YA5 |
| AFP L 96L50-740 A/S5 HFX CL1 | 15.27 | 96645082 | AFPL96L50YA5 |
| AFP L 144L35-740 A/S5 HFX CL1 | 18.54 | 96644618 | AFPL144L35YA5 |
| AFP L 120L50-740 A/S5 HFX CL1 | 18.45 | 96644578 | AFPL120L50YA5 |
| AFP L 96L70-740 A/S5 HFX CL1 | 18.40 | 96645102 | AFPL96L70YA5 |
| AFP L 144L50-740 A/S5 HFX CL1 | 18.54 | 96644648 | AFPL144L50YA5 |
| AFP L 120L70-740 A/S5 HFX CL1 | 18.45 | 96644598 | AFPL120L70YA5 |
| AFP L 144L70-740 A/S5 HFX CL1 | 18.54 | 96644686 | AFPL144L70YA5 |
| Areaflood Pro Large, Asymmetric optic 50°, configured products | | | |
| AFP L 144L50-740 A/S5 BPS CLO CL1 | 18.52 | 96644634 | AFPL144L50BSCA5 |
| AFP L 144L70-740 A/S5 BPS CL1 HT | 18.55 | 96644673 | AFPL144L70BSA5H |
| AFP L 144L70-740 A/S5 BPS CL1 PM | 18.62 | 96644668 | AFPL144L70BSMA5 |
| AFP L 144L70-740 A/S5 BPS CL1 PN | 18.64 | 96644663 | AFPL144L70BSNA5 |
| AFP L 144L70-740 A/S5 HFX CL1 HT | 18.56 | 96644691 | AFPL144L70YA5H |

| Description | Wt (kg) | SAP Code | Cat. No. |
|--|----------|----------|--------------------|
| Areaflood Pro Large, Asymmetric optic 60°, bi-power | | | |
| AFP L 96L35-740 A/S6 BPS CL1 | 17.36 | 96645050 | AFPL96L35BSA6 |
| AFP L 120L35-740 A/S6 BPS CL1 | 17.08 | 96644546 | AFPL120L35BSA6 |
| AFP L 96L50-740 A/S6 BPS CL1 | 17.36 | 96645070 | AFPL96L50BSA6 |
| AFP L 144L35-740 A/S6 BPS CL1 | 18.52 | 96644606 | AFPL144L35BSA6 |
| AFP L 120L50-740 A/S6 BPS CL1 | 18.43 | 96644566 | AFPL120L50BSA6 |
| AFP L 96L70-740 A/S6 BPS CL1 | 18.43 | 96645090 | AFPL96L70BSA6 |
| AFP L 144L50-740 A/S6 BPS CL1 | 18.52 | 96644626 | AFPL144L50BSA6 |
| AFP L 120L70-740 A/S6 BPS CL1 | 18.43 | 96644586 | AFPL120L70BSA6 |
| AFP L 144L70-740 A/S6 BPS CL1 | 18.52 | 96644656 | AFPL144L70BSA6 |
| Areaflood Pro Large, Asymmetric optic 60°, DALI dimmable | | | |
| AFP L 96L35-740 A/S6 HFX CL1 | 15.27 | 96645063 | AFPL96L35YA6 |
| AFP L 120L35-740 A/S6 HFX CL1 | 17.10 | 96644559 | AFPL120L35YA6 |
| AFP L 96L50-740 A/S6 HFX CL1 | 15.27 | 96645083 | AFPL96L50YA6 |
| AFP L 144L35-740 A/S6 HFX CL1 | 18.54 | 96644619 | AFPL144L35YA6 |
| AFP L 120L50-740 A/S6 HFX CL1 | 18.45 | 96644579 | AFPL120L50YA6 |
| AFP L 96L70-740 A/S6 HFX CL1 | 18.40 | 96645103 | AFPL96L70YA6 |
| AFP L 144L50-740 A/S6 HFX CL1 | 18.54 | 96644649 | AFPL144L50YA6 |
| AFP L 120L70-740 A/S6 HFX CL1 | 18.45 | 96644599 | AFPL120L70YA6 |
| AFP L 144L70-740 A/S6 HFX CL1 | 18.54 | 96644687 | AFPL144L70YA6 |
| Areaflood Pro Large, Asymmetric optic 60°, configured products | | | |
| AFP L 144L50-740 A/S6 BPS CLO CL1 | 18.52 | 96644636 | AFPL144L50BSCA6 |
| AFP L 144L70-740 A/S6 BPS CL1 HT | 18.55 | 96644674 | AFPL144L70BSA6H |
| AFP L 144L70-740 A/S6 BPS CL1 PM | 18.62 | 96644669 | AFPL144L70BSMA6 |
| AFP L 144L70-740 A/S6 BPS CL1 PN | 18.64 | 96644664 | AFPL144L70BSNA6 |
| AFP L 144L70-740 A/S6 HFX CL1 HT | 18.56 | 96644692 | AFPL144L70YA6H |
| Areaflood Pro Large, Extra wide road optic, bi-power | | | |
| AFP L 96L35-740 EWR BPS CL1 | 17.36 | 96645052 | AFPL96L35BSXR |
| AFP L 120L35-740 EWR BPS CL1 | 17.08 | 96644548 | AFPL120L35BSXR |
| AFP L 96L50-740 EWR BPS CL1 | 17.36 | 96645072 | AFPL96L50BSXR |
| AFP L 144L35-740 EWR BPS CL1 | 18.52 | 96644608 | AFPL144L35BSXR |
| AFP L 120L50-740 EWR BPS CL1 | 18.43 | 96644568 | AFPL120L50BSXR |
| AFP L 96L70-740 EWR BPS CL1 | 18.43 | 96645092 | AFPL96L70BSXR |
| AFP L 144L50-740 EWR BPS CL1 | 18.52 | 96644628 | AFPL144L50BSXR |
| AFP L 120L70-740 EWR BPS CL1 | 18.43 | 96644588 | AFPL120L70BSXR |
| AFP L 144L70-740 EWR BPS CL1 | 18.52 | 96644658 | AFPL144L70BSXR |
| Areaflood Pro Large, Extra wide road optic, DALI dimmable | | | |
| AFP L 96L35-740 EWR HFX CL1 | 15.27 | 96645064 | AFPL96L35YXR |
| AFP L 120L35-740 EWR HFX CL1 | 17.10 | 96644560 | AFPL120L35YXR |
| AFP L 96L50-740 EWR HFX CL1 | 15.27 | 96645084 | AFPL96L50YXR |
| AFP L 144L35-740 EWR HFX CL1 | 18.54 | 96644620 | AFPL144L35YXR |
| AFP L 120L50-740 EWR HFX CL1 | 18.45 | 96644580 | AFPL120L50YXR |
| AFP L 96L70-740 EWR HFX CL1 | 18.40 | 96645104 | AFPL96L70YXR |
| AFP L 144L50-740 EWR HFX CL1 | 18.54 | 96644650 | AFPL144L50YXR |
| AFP L 120L70-740 EWR HFX CL1 | 18.45 | 96644600 | AFPL120L70YXR |
| AFP L 144L70-740 EWR HFX CL1 | 18.54 | 96644688 | AFPL144L70YXR |
| Areaflood Pro Large, Extra wide road optic, configured products | | | |
| AFP L 144L50-740 EWR BPS CLO CL1 | 18.52 | 96644638 | AFPL144L50BSCXR |
| AFP L 144L70-740 EWR BPS CL1 10KV | 18.64 | 96644677 | AFPL144L70BSXR10 |
| AFP L 144L70-740 EWR BPS CL1 HT | 18.55 | 96644675 | AFPL144L70BSXRH |
| AFP L 144L70-740 EWR BPS CL1 HT 10KV | 18.66 | 96644679 | AFPL144L70BSXRHT10 |
| AFP L 144L70-740 EWR BPS CL1 PM | 18.62 | 96644670 | AFPL144L70BSMXR |
| AFP L 144L70-740 EWR BPS CL1 PN | 18.64 | 96644665 | AFPL144L70BSNXR |
| AFP L 144L70-740 EWR CL1 PN5 | 18.64 | 96644707 | AFPL144L70BSN5XR |
| AFP L 144L70-740 EWR CL1 RF | 96644706 | | AFPL144L70BSWXR |
| AFP L 144L70-740 EWR CL2 RF 10KV | 96644709 | | |
| AFP L 144L70-740 EWR HFX CL1 10KV | 18.62 | 96644696 | AFPL144L70YXR10 |
| AFP L 144L70-740 EWR HFX CL1 HT | 18.56 | 96644693 | AFPL144L70YXRH |
| AFP L 144L70-740 EWR HFX CL1 HT 10KV | 18.66 | 96644697 | AFPL144L70YXRHT10 |

| Description | Wt (kg) | SAP Code | Cat. No. |
|--|---------|----------|-----------------|
| Areaflood Pro Large, Wide road optic, bi-power | | | |
| AFP L 96L35-740 WR BPS CL1 | 17.36 | 96645054 | AFPL96L35BSWR |
| AFP L 120L35-740 WR BPS CL1 | 17.08 | 96644550 | AFPL120L35BSWR |
| AFP L 96L50-740 WR BPS CL1 | 17.36 | 96645074 | AFPL96L50BSWR |
| AFP L 144L35-740 WR BPS CL1 | 18.52 | 96644610 | AFPL144L35BSWR |
| AFP L 120L50-740 WR BPS CL1 | 18.43 | 96644570 | AFPL120L50BSWR |
| AFP L 96L70-740 WR BPS CL1 | 18.43 | 96645094 | AFPL96L70BSWR |
| AFP L 144L50-740 WR BPS CL1 | 18.52 | 96644630 | AFPL144L50BSWR |
| AFP L 120L70-740 WR BPS CL1 | 18.43 | 96644590 | AFPL120L70BSWR |
| AFP L 144L70-740 WR BPS CL1 | 18.52 | 96644660 | AFPL144L70BSWR |
| Areaflood Pro Large, Wide road optic, DALI dimmable | | | |
| AFP L 96L35-740 WR HFX CL1 | 15.27 | 96645065 | AFPL96L35YWR |
| AFP L 120L35-740 WR HFX CL1 | 17.10 | 96644561 | AFPL120L35YWR |
| AFP L 96L50-740 WR HFX CL1 | 15.27 | 96645085 | AFPL96L50YWR |
| AFP L 144L35-740 WR HFX CL1 | 18.54 | 96644621 | AFPL144L35YWR |
| AFP L 120L50-740 WR HFX CL1 | 18.45 | 96644581 | AFPL120L50YWR |
| AFP L 96L70-740 WR HFX CL1 | 18.40 | 96645105 | AFPL96L70YWR |
| AFP L 144L50-740 WR HFX CL1 | 18.54 | 96644651 | AFPL144L50YWR |
| AFP L 120L70-740 WR HFX CL1 | 18.45 | 96644601 | AFPL120L70YWR |
| AFP L 144L70-740 WR HFX CL1 | 18.54 | 96644689 | AFPL144L70YWR |
| Areaflood Pro Large, Wide road optic, configured products | | | |
| AFP L 144L50-740 WR BPS CLO CL1 | 18.52 | 96644640 | AFPL144L50BSCWR |
| AFP L 144L70-740 WR BPS CL1 HT | 18.55 | 96644676 | AFPL144L70BSWRH |
| AFP L 144L70-740 WR BPS CL1 PM | 18.62 | 96644671 | AFPL144L70BSMWR |
| AFP L 144L70-740 WR BPS CL1 PN | 18.64 | 96644666 | AFPL144L70BSNWR |
| AFP L 144L70-740 WR HFX CL1 HT | 18.56 | 96644694 | AFPL144L70YWRH |
| Areaflood Pro Accessories | | | |
| AFP MTP 60MM R9006 | 1.66 | 96274660 | |
| AFP MTP 76MM R9006 | 1.60 | 96274659 | |
| AFP L LOUVRES F+B | | 96645110 | |
| AFP M LOUVRES F+B | | 96645109 | |
| AFP MTP60 | | 96645106 | |
| AFP MTP76 | | 96645107 | |
| AFP S LOUVRES F+B | | 96645108 | |

To make reading our ordering guides easier please use the SAP description key fold out, inside the back cover. For more information please visit our website www.thornlighting.co.uk and simply search for our products.



LED Fit

An ultra lightweight, reliable and efficient LED floodlight with best in class optic



www.thornlighting.co.uk/LEDF
www.thornlighting.ie/LEDF



- Ultra lightweight, compact design for ease of installation and minimal aesthetic impact
- True asymmetric optic provides light distribution and excellent light control (Ocd at 90°) with no need to tilt
- Maintenance free for 50 000 hours lifetime
- Reduce energy consumption by approximately 80% compared to similar HID solutions
- 4000K

MATERIALS/FINISH

Body : die-cast aluminium painted grey RAL 9006
Stirrup : galvanized steel
Visor : polycarbonate with external surface powder coated RAL 9006 (light grey)

INSTALLATION/MOUNTING

Pre-wired with 60cm cable.
Stirrup can be fixed via three fixation points - one M10 and two M8 - and is reversible allowing different mounting positions.

SPECIFICATION

To specify state:
A simple, reliable and efficient alternative to general purpose HID floodlights with true asymmetric optic to cover the requirements of low area lighting, building surroundings and facade lighting. Ultra lightweight, compact design for ease of installation and minimal aesthetic impact available in 2 sizes - Small and Medium - with lumen packages of 4 500lm and 9 000lm and high mechanical resistance (IP66, IK07). The reversible mounting stirrup allows different mounting positions to cover all the applications needs.
As Thorn LED Fit



45W version



90W version



Wall mounted - Area



Pre-wired

LAMPS

LED

45-90W

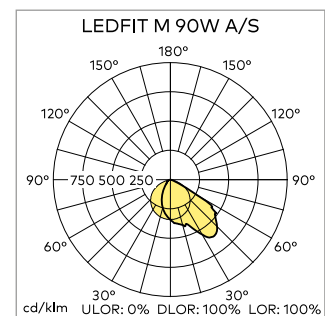
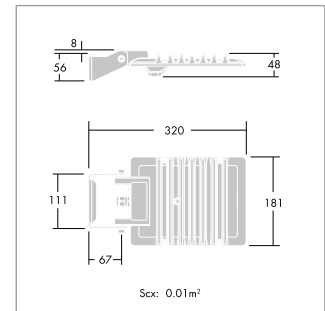
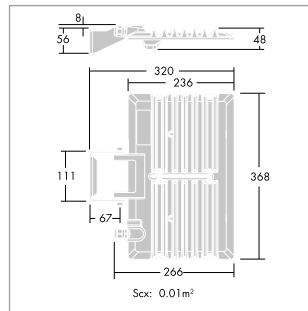
STANDARDS

IP66

ORDERING GUIDE

| Description | Wt (kg) | SAP Code | Cat. No. |
|---------------------------|---------|----------|----------|
| LED Fit | | | |
| LEDFIT S 45W A/S CL1 L840 | 1.70 | 96628332 | LFS45 |
| LEDFIT M 90W A/S CL1 L840 | 3.00 | 96628333 | LFM90 |

To make reading our ordering guides easier please use the SAP description key fold out, inside the back cover. For more information please visit our website www.thornlighting.co.uk and simply search for our products.





www.thornlighting.co.uk/OSYS
www.thornlighting.ie/OSYS



Durable, versatile and efficient LED floodlights for outdoor and indoor area lighting



- Wide choice including two sizes, four lumen packages, two colour temperatures, tilting angles $-90^{\circ}/+90^{\circ}$ and three mounting options
- Exceptionally low cost of ownership with an optimised heat management system to provide a lifetime up to 80,000 hours (L70, 25°)
- Extremely durable full die-cast aluminium and IP66/IK08 rated package, complete with 10Kv surge protection
- Minimalist design is coordinated with other Olsys luminaires, poles and brackets, seamlessly integrating with the environment
- 3000K and 4000K

MATERIALS/FINISH

Body: die-cast aluminium (AS9U)
powder coated silver grey 9006
Enclosure: size 1 clear UV stabilised
PC size 2: tempered glass
Optics: size 1 PC, size 2 micro
reflectors in highly reflective
anodised aluminium
Screws: stainless steel

INSTALLATION/MOUNTING

Size 2 supplied pre-wired with connector.
Delivered ready to install for wall mounting, knock out on the side of the base for cabling when it is not integrated within the wall. For ground mounting please order the spike accessory. Possibility to post top mount with Olsys street accessories. Dedicated column package for urban area lighting or car parks. Delivered with factory integral gear, all supplied in one box. Maintenance: access to gear (replaceable) via 4 screws from the canopy.

SPECIFICATION

To specify state:
IP66 LED floodlights available in 24-85W (up to 8530lm) with asymmetric distribution.
As Thorn Olsys Area.



Wall mounting



Size 1 optics



Size 2 optics

LAMPS

LED

24-85W

STANDARDS



EN 60598



IP66 IK08 T₈₅₀

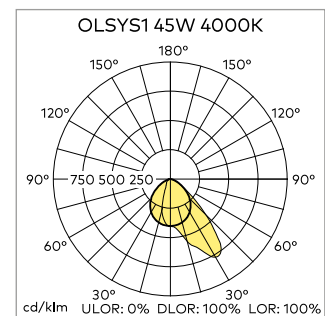
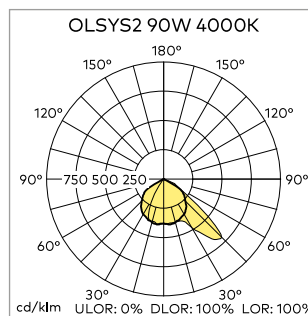
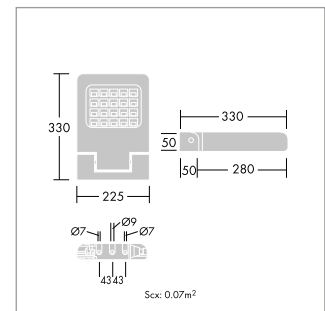
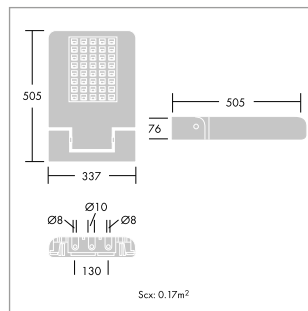
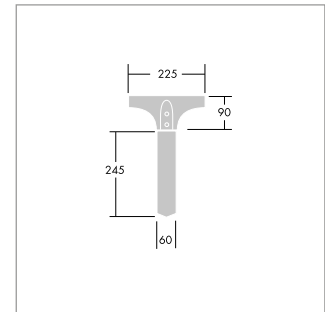
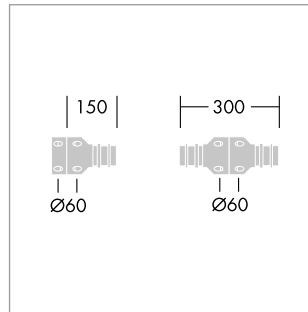


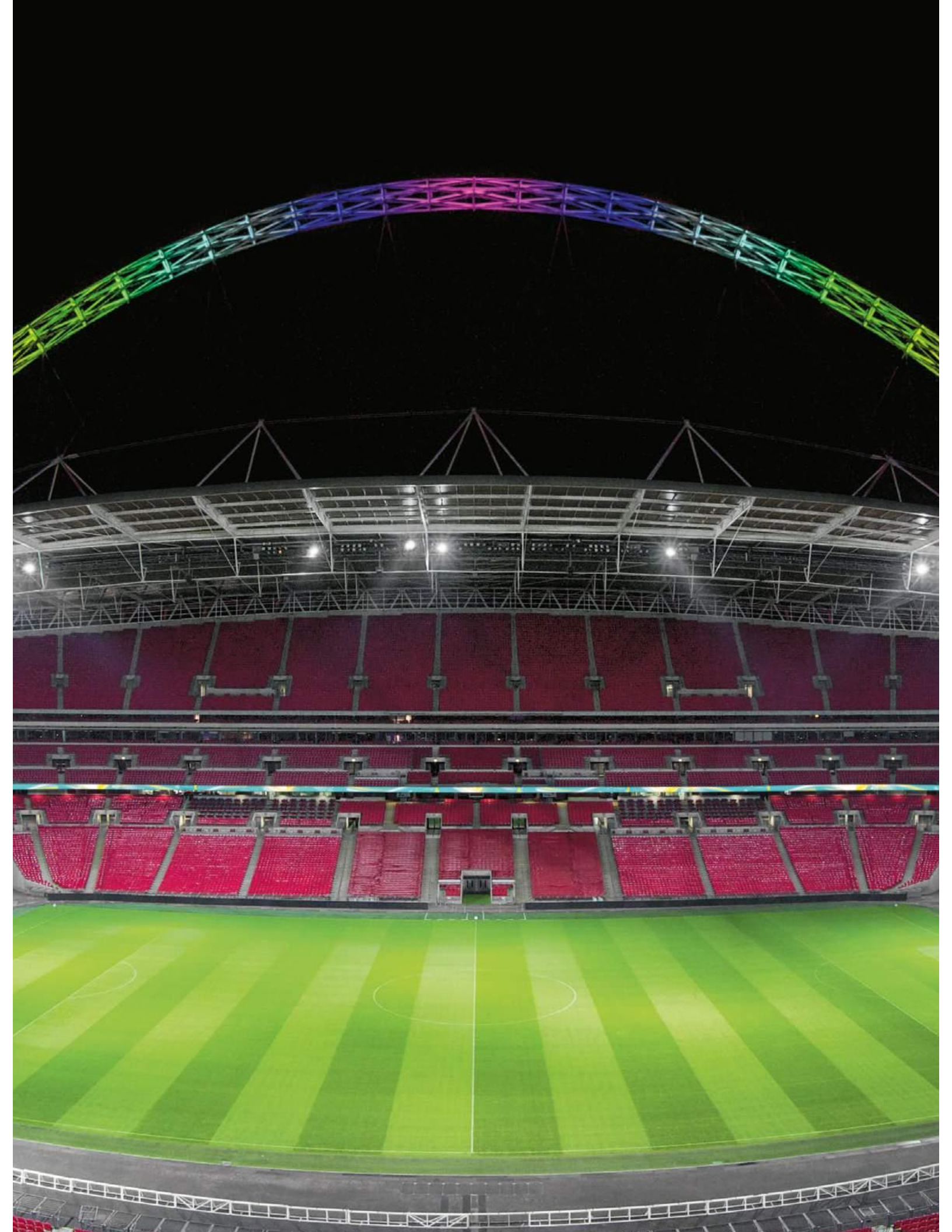
ORDERING GUIDE

Supplied complete with LEDs

| Description | Wt (kg) | SAP Code | Cat. No. |
|---|---------|----------|----------|
| OlSYS 1 area | | | |
| OLSYS1 10L70-740 A/S CL1 | 2.60 | 96274076 | |
| OLSYS1 20L70-730 A/S CL1 | 2.80 | 96274082 | |
| OLSYS1 20L70-740 A/S CL1 | 2.85 | 96274086 | |
| OlSYS 1 area, mounting accessories | | | |
| OLSYS1 SPIKE | 1.30 | 96262334 | OY1ASPK |
| OlSYS 2 area | | | |
| OLSYS2 24L70-740 A/S CL1 | 8.50 | 96274089 | |
| OLSYS2 36L70-740 A/S CL1 | 8.50 | 96274095 | |
| OlSYS 2 area, mounting accessories | | | |
| OLSYS2 MTP 60/76 | 2.90 | 96262304 | OY2APT60 |

To make reading our ordering guides easier please use the SAP description key fold out, inside the back cover. For more information please visit our website www.thornlighting.co.uk and simply search for our products.





Outdoor Lighting

SPORTS FLOODLIGHTING



138
Altis



140
Altis Sport



142
Champion



144
Mundial C



- Innovative patented Altis® optic offering a unique range of photometry to match the levels of vertical illuminance required for televised sports
- Excellent thermal management and high protection classes ensure consistency and stability of light over its life-time
- Memory setting accessory to retain floodlight setting after maintenance
- Accurate aiming with precision aiming device adjustable around frame
- Full electronic solution for flickerfree superslow motion viewing

MATERIALS/FINISH

Body and frame: die-cast aluminium (EN AC-47100), unpainted (painted version available on request).
Glass: 4mm thermally toughened, meeting requirements of EN 60598-2-5.
Wiring/ignitor box: polyamide (66 VO Black: 20% glass fibre re-inforced).
Stirrup: unpainted galvanised steel.
Screws: stainless steel.
Visor: black aluminium.

INSTALLATION/MOUNTING

Stirrup fixed by a single bolt through Ø 22mm hole or 105x17mm oblong hole, or by twin bolts through Ø 15mm hole. Ignitor box delivered with floodlight, cable gland for 8-12mm cable. Safe rear door opening with automatic disconnection Tool-free lamp installation and replacement. Optional memory setting accessory available to lock aiming position. Optional visor fixed via 4 screws. Aiming via integrated aiming sights on both sides of the floodlight, precision aiming device also available and adjustable around frame.

SPECIFICATION

To specify state:
High performance floodlight with Altis® optic reflector for 1 and 2kW metal halide double ended lamps. Tool-free door opening and lamp installation, rear access to ignitor box, memory setting accessory. IP66 (IP65 for HR versions), IK08 (IK09 body and glass), electrical class 1 and 2 (CL1 only for HR versions). As Thorn Altis.

ORDERING GUIDE

Lamps and control gear to be ordered separately. CL2 versions available on request (except HR versions)

| Description | Wt (kg) | SAP Code | Cat. No. |
|--|---------|----------|----------|
| Altis 2kW CL1 | | | |
| ALTIS 2KW R1 HQITS-S CL1 WI | 14.40 | 96263370 | AT2R1 |
| ALTIS 2KW R1 HQITSS-HF/MHNSB-HO CL1 WI | 14.40 | 96263376 | ATH2R1 |
| ALTIS 2KW R2 HQITS-S CL1 WI | 14.33 | 96263371 | AT2R2 |
| ALTIS 2KW R2 HQITSS-HF/MHNSB-HO CL1 WI | 14.33 | 96263377 | ATH2R2 |
| ALTIS 2KW R3 HQITS-S CL1 WI | 14.40 | 96263372 | AT2R3 |
| ALTIS 2KW R3 HQITSS-HF/MHNSB-HO CL1 WI | 14.40 | 96263378 | ATH2R3 |
| ALTIS 2KW R4 HQITS-S CL1 WI | 14.50 | 96263373 | AT2R4 |
| ALTIS 2KW R4 HQITSS-HF/MHNSB-HO CL1 WI | 14.50 | 96263379 | ATH2R4 |
| ALTIS 2KW R5 HQITS-S CL1 WI | 14.25 | 96263374 | AT2R5 |
| ALTIS 2KW R5 HQITSS-HF/MHNSB-HO CL1 WI | 14.25 | 96263380 | ATH2R5 |
| ALTIS 2KW R6 HQITS-S CL1 WI | 14.25 | 96263375 | AT2R6 |
| ALTIS 2KW R6 HQITSS-HF/MHNSB-HO CL1 WI | 14.25 | 96263381 | ATH2R6 |
| Altis 2kW CL1 Hot Restrike | | | |
| ALTIS HR 2KW R1 HQITS-S CL1 WI | 16.70 | 96263388 | AT2HRR1 |
| ALTIS HR 2KW R1 HQITSS-HF/MHNSBHO CL1 WI | 16.70 | 96263394 | ATH2HRR1 |
| ALTIS HR 2KW R2 HQITS-S CL1 WI | 16.63 | 96263389 | AT2HRR2 |
| ALTIS HR 2KW R2 HQITSS-HF/MHNSBHO CL1 WI | 16.63 | 96263395 | ATH2HRR2 |
| ALTIS HR 2KW R3 HQITS-S CL1 WI | 16.70 | 96263390 | AT2HRR3 |
| ALTIS HR 2KW R3 HQITSS-HF/MHNSBHO CL1 WI | 16.70 | 96263396 | ATH2HRR3 |
| ALTIS HR 2KW R4 HQITS-S CL1 WI | 16.80 | 96263391 | AT2HRR4 |
| ALTIS HR 2KW R4 HQITSS-HF/MHNSBHO CL1 WI | 16.80 | 96263397 | ATH2HRR4 |
| ALTIS HR 2KW R5 HQITS-S CL1 WI | 16.55 | 96263392 | AT2HRR5 |
| ALTIS HR 2KW R5 HQITSS-HF/MHNSBHO CL1 WI | 16.55 | 96263398 | ATH2HRR5 |
| ALTIS HR 2KW R6 HQITS-S CL1 WI | 16.92 | 96263393 | AT2HRR6 |
| ALTIS HR 2KW R6 HQITSS-HF/MHNSBHO CL1 WI | 16.92 | 96263399 | ATH2HRR6 |
| Altis 1kW CL1 | | | |
| ALTIS 1KW R1 HQITS-S CL1 WI | 14.40 | 96263364 | AT1R1 |
| ALTIS 1KW R2 HQITS-S CL1 WI | 14.33 | 96263365 | AT1R2 |
| ALTIS 1KW R3 HQITS-S CL1 WI | 14.40 | 96263366 | AT1R3 |
| ALTIS 1KW R4 HQITS-S CL1 WI | 14.50 | 96263367 | AT1R4 |
| ALTIS 1KW R5 HQITS-S CL1 WI | 14.25 | 96263368 | AT1R5 |
| ALTIS 1KW R6 HQITS-S CL1 WI | 14.25 | 96263369 | AT1R6 |



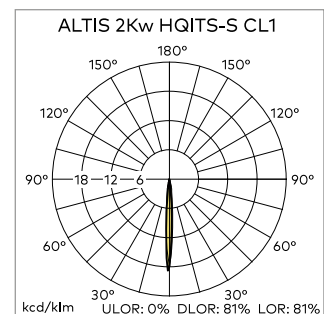
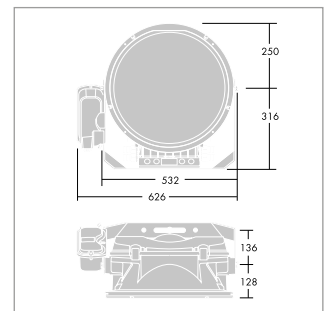
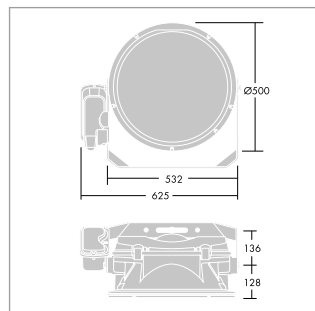
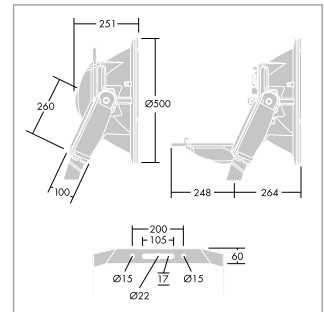
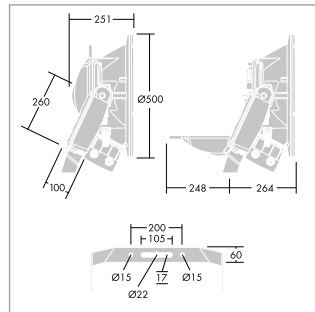
LAMPS

- HIT-DE (MD) Cable 1000-2000W
- HIT-DE OSS (MD) Cable 2000W

STANDARDS

- EN 60598
- IP65
- IP66
- IK08
- T₂₅
- T₃₅
-
-

| Description | Wt (kg) | SAP Code | Cat. No. |
|--|---------|----------|----------|
| Altis 1kW CL1 Hot Restrike | | | |
| ALTIS HR 1KW R1 HQITS-S CL1 WI | 16.70 | 96263382 | AT1HRR1 |
| ALTIS HR 1KW R2 HQITS-S CL1 WI | 16.63 | 96263383 | AT1HRR2 |
| ALTIS HR 1KW R3 HQITS-S CL1 WI | 16.70 | 96263384 | AT1HRR3 |
| ALTIS HR 1KW R4 HQITS-S CL1 WI | 16.80 | 96263385 | AT1HRR4 |
| ALTIS HR 1KW R5 HQITS-S CL1 WI | 16.55 | 96263386 | AT1HRR5 |
| ALTIS HR 1KW R6 HQITS-S CL1 WI | 16.92 | 96263387 | AT1HRR6 |
| Altis 2kW electronic system | | | |
| ALTIS 2KW R1 HO/HF DGE CL1 WI SC | 14.40 | 96267922 | |
| ALTIS 2KW R2 HO/HF DGE CL1 WI SC | 14.33 | 96267923 | |
| ALTIS 2KW R3 HO/HF DGE CL1 WI SC | 14.40 | 96267924 | |
| ALTIS 2KW R4 HO/HF DGE CL1 WI SC | 14.50 | 96267925 | |
| ALTIS 2KW R5 HO/HF DGE CL1 WI SC | 14.25 | 96267926 | |
| ALTIS 2KW R6 HO/HF DGE CL1 WI SC | 14.25 | 96267927 | |
| GT 2KW 230-240V HO/HF DGE CL1 WI SC | 3.60 | 96267936 | |
| Altis 1kW electronic system | | | |
| ALTIS 1KW R1 HQITS-S DGE CL1 WI SC | 14.40 | 96268732 | |
| ALTIS 1KW R2 HQITS-S DGE CL1 WI SC | 14.33 | 96268733 | |
| ALTIS 1KW R3 HQITS-S DGE CL1 WI SC | 14.40 | 96268734 | |
| ALTIS 1KW R4 HQITS-S DGE CL1 WI SC | 14.50 | 96268735 | |
| ALTIS 1KW R5 HQITS-S DGE CL1 WI SC | 14.25 | 96268736 | |
| ALTIS 1KW R6 HQITS-S DGE CL1 WI SC | 14.25 | 96268737 | |
| GT 1KW 230-240V HQITS-S DGE CL1 WI SC | 3.60 | 96268731 | |
| Altis Accessories | | | |
| ALTIS AIMING DEVICE COMPLETE | 0.50 | 96264278 | |
| ALTIS MEMORY SETTING | 0.10 | 96264500 | |
| ALTIS VS | 1.80 | 96264276 | |
| Altis Gear 2kW | | | |
| GB IP65 2KW 380-415V HIT-DE NI | 23.50 | 96012190 | ATM2GB |
| GB IP65 2KW 380-420V MHNSB HO/HQITSS HF | 23.50 | 96262841 | ATMH2GB |
| GT 2KW 380-400-420V MHN SB HO/HQITS S HF | 20.00 | 96261551 | ATMH2GT |
| Altis Gear 1kW | | | |
| GB IP65 1KW 230/240V HST/HIT NI | 14.50 | 96012191 | ATSM1GB |
| GT 1KW 230/240V HIT/OS NI | 13.90 | 96012078 | MUM1GT |



To make reading our ordering guides easier please use the SAP description key fold out, inside the back cover. For more information please visit our website www.thornlighting.co.uk and simply search for our products.



www.thornlighting.co.uk/ALTS
www.thornlighting.ie/ALTS



High power LED floodlight for sports lighting applications



- Unique quality of light with flickerfree operation suitable for HDTV broadcasting
- Flexible optical system optimising lighting distributions for best in class results
- Compact and low weight for minimal structural costs
- Fully controllable solution enabling instant lighting, stepped illumination levels and event lighting with dynamic lighting scenarios
- Up to 140 000lm

MATERIALS/FINISH

Body : die-cast aluminium (EN AC-47100), painted dark sandy grey (close to RAL 7043)
 Frame and stirrup : die-cast aluminium (EN AC-44100/ EN AC-42200), painted dark sandy grey (close to RAL 7043)
 Glass: 5mm toughened, meeting requirements of CEI 60598-2-5
 Screws: stainless steel.

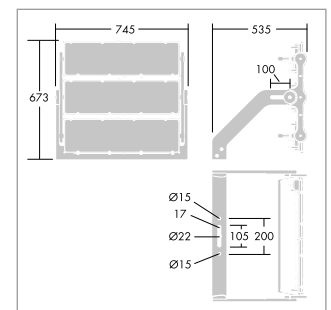
INSTALLATION/MOUNTING

Stirrup fixed using three fixation points available one Ø22mm hole and two Ø15mm holes (nuts and bolts not provided). Frame fixed to stirrup with M10 Hex screw and M8 set screw with the possibility to move the position horizontally (100mm). Tiltable LED modules (+/-50°) fixed on frame with M8 screws and M5 set screw. Vertical aiming from the horizontal: -90° / +90°. Reversible stirrup allows hang down position.

The LED modules are pre-wired with a 1m long cable and connected to a single harness. Gear Tray IP21 or gear box IP65 installed remotely and supplied separately. Electrical connection to the floodlight is done via a single multi-core cable (female IP68 connector supplied for quick plug-in connection). Main power supply and control (DALI) made via IP68 connectors (supplied). Precision aiming device available and adjustable on top or bottom of LED module.

SPECIFICATION

To specify state:
 High power LED floodlight for sports lighting applications. Offering the best in class quality of light (5700K / TLC194) and flicker free operation suitable for HDTV broadcasting. Other CRI (87/80/70) and CCT (4000K) available to satisfy all the applications need. The floodlight has tiltable LED modules to optimise lighting designs and minimise the number of floodlights in an installation. Compact floodlight (28kg for three bricks version and 22kg for two bricks version), highly resistant (IP66, IK08), available with three excellent lighting distribution at both Ta25° and Ta35°C (other ambient temperature available on request).
 As Thorn Altis Sport





LAMPS

LED 706-1277W

STANDARDS

CE IP66 IK08 T_a25 T_a35

ORDERING GUIDE

| Description | Wt (kg) | SAP Code |
|---|---------|----------|
| Altis Sport 396 4000K & 5700K Ta 25° | | |
| ALTIS S 396L105 NB CL1 L740 v2 | 27.6 | 96275190 |
| ALTIS S 396L105 MB CL1 L740 v2 | 27.6 | 96275191 |
| ALTIS S 396L105 WB CL1 L740 v2 | 27.6 | 96275192 |
| ALTIS S 396L105 NB CL1 L757 v2 | 27.6 | 96275193 |
| ALTIS S 396L105 MB CL1 L757 v2 | 27.6 | 96275194 |
| ALTIS S 396L105 WB CL1 L757 v2 | 27.6 | 96275195 |
| ALTIS S 396L105 NB CL1 L857 v2 | 27.6 | 96275196 |
| ALTIS S 396L105 MB CL1 L857 v2 | 27.6 | 96275197 |
| ALTIS S 396L105 WB CL1 L857 v2 | 27.6 | 96275198 |
| ALTIS S 396L105 NB CL1 L957-TLCI90 v2 | 27.6 | 96275199 |
| ALTIS S 396L105 MB CL1 L957-TLCI90 v2 | 27.6 | 96275200 |
| ALTIS S 396L105 WB CL1 L957-TLCI90 v2 | 27.6 | 96275201 |
| Altis Sport 396 Ta 25° remote gear control | | |
| GT ALTIS IP21 396L105 CL1 v2 | 6.20 | 96275202 |
| GB ALTIS IP65 396L105 CL1 v2 | 13.0 | 96275203 |
| Altis Sport 264 4000K & 5700K Ta 25° | | |
| ALTIS S 264L105 NB CL1 L740 v2 | 21.7 | 96275204 |
| ALTIS S 264L105 MB CL1 L740 v2 | 21.7 | 96275205 |
| ALTIS S 264L105 WB CL1 L740 v2 | 21.7 | 96275206 |
| ALTIS S 264L105 NB CL1 L757 v2 | 21.7 | 96275207 |
| ALTIS S 264L105 MB CL1 L757 v2 | 21.7 | 96275208 |
| ALTIS S 264L105 WB CL1 L757 v2 | 21.7 | 96275209 |
| ALTIS S 264L105 NB CL1 L857 v2 | 21.7 | 96275210 |
| ALTIS S 264L105 MB CL1 L857 v2 | 21.7 | 96275211 |
| ALTIS S 264L105 WB CL1 L857 v2 | 21.7 | 96275212 |
| ALTIS S 264L105 NB CL1 L957-TLCI90 v2 | 21.7 | 96275213 |
| ALTIS S 264L105 MB CL1 L957-TLCI90 v2 | 21.7 | 96275214 |
| ALTIS S 264L105 WB CL1 L957-TLCI90 v2 | 21.7 | 96275215 |
| Altis Sport 264 Ta 25° remote gear control | | |
| GT ALTIS IP21 264L105 CL1 v2 | 6.2 | 96275216 |
| GB ALTIS IP65 264L105 CL1 v2 | 8.4 | 96275217 |

| Description | Wt (kg) | SAP Code |
|---|---------|----------|
| Altis Sport 396 4000K & 5700K Ta 35° | | |
| ALTIS S 396L90 NB CL1 L740 T35 v2 | 27.6 | 96275246 |
| ALTIS S 396L90 MB CL1 L740 T35 v2 | 27.6 | 96275247 |
| ALTIS S 396L90 WB CL1 L740 T35 v2 | 27.6 | 96275248 |
| ALTIS S 396L90 NB CL1 L757 T35 v2 | 27.6 | 96275249 |
| ALTIS S 396L90 MB CL1 L757 T35 v2 | 27.6 | 96275250 |
| ALTIS S 396L90 WB CL1 L757 T35 v2 | 27.6 | 96275251 |
| ALTIS S 396L90 NB CL1 L857 T35 v2 | 27.6 | 96275252 |
| ALTIS S 396L90 MB CL1 L857 T35 v2 | 27.6 | 96275253 |
| ALTIS S 396L90 WB CL1 L857 T35 v2 | 27.6 | 96275254 |
| ALTIS S 396L90 NB CL1 L957-90 T35 v2 | 27.6 | 96275255 |
| ALTIS S 396L90 MB CL1 L957-TLCI90 T35 v2 | 27.6 | 96275256 |
| ALTIS S 396L90 WB CL1 L957-TLCI90 T35 v2 | 27.6 | 96275257 |
| Altis Sport 396 Ta 35° remote gear control | | |
| GT ALTIS IP21 396L90 CL1 T35 v2 | 6.20 | 96275258 |
| GB ALTIS IP65 396L90 CL1 T35 v2 | 13.0 | 96275259 |
| Altis Sport 264 4000K & 5700K Ta 25° | | |
| ALTIS S 264L90 NB CL1 L740 T35 v2 | 23.5 | 96275260 |
| ALTIS S 264L90 MB CL1 L740 T35 v2 | 23.5 | 96275261 |
| ALTIS S 264L90 WB CL1 L740 T35 v2 | 23.5 | 96275262 |
| ALTIS S 264L90 NB CL1 L757 T35 v2 | 23.5 | 96275263 |
| ALTIS S 264L90 MB CL1 L757 T35 v2 | 23.5 | 96275264 |
| ALTIS S 264L90 WB CL1 L757 T35 v2 | 23.5 | 96275265 |
| ALTIS S 264L90 NB CL1 L857 T35 v2 | 23.5 | 96275266 |
| ALTIS S 264L90 MB CL1 L857 T35 v2 | 23.5 | 96275267 |
| ALTIS S 264L90 WB CL1 L857 T35 v2 | 23.5 | 96275268 |
| ALTIS S 264L90 NB CL1 L957-TLCI90 T35 v2 | 23.5 | 96275269 |
| ALTIS S 264L90 MB CL1 L957-TLCI90 T35 v2 | 23.5 | 96275270 |
| ALTIS S 264L90 WB CL1 L957-TLCI90 T35 v2 | 23.5 | 96275271 |
| Altis Sport 264 Ta 35° remote gear control | | |
| GT ALTIS IP21 264L90 CL1 T35 v2 | 6.2 | 96275272 |
| GB ALTIS IP65 264L90 CL1 T35 v2 | 8.4 | 96275273 |

To make reading our ordering guides easier please use the SAP description key fold out, inside the back cover. For more information please visit our website www.thornlighting.co.uk and simply search for our products.



www.thornlighting.co.uk/CHMP
www.thornlighting.ie/CHMP



- Compact asymmetric floodlight for 1 and 2 kW metal halide lamps, incorporating the flat glass concept and integrated visor for total control of glare and obstrusive light (0 cd at 90°), with additional accessories also available
- Maximum optical efficiency and accurate light distribution with minimum light spill
- Three lamp positions, adjustable on site, from just one installed position
- Tool-free aiming in azimuth with integrated aiming sights

MATERIALS/FINISH

Body: die-cast aluminium (EN AC-47100), unpainted
Glass: 4mm toughened
Wiring / ignitor box: polyamide (66 VO Black: 20% glass fibre re-inforced).
Screws: stainless steel

INSTALLATION/MOUNTING

Rear access to lamp with automatic power disconnection on opening of rear access door. Tool-free installation and lamp replacement. Stirrup fixed by M20 bolt through Ø22mm hole, or through Ø15mm holes. Ballast and capacitors to be mounted separately. Cable gland for Ø7.5-13mm cable. Aiming via top (door and visor) or side (ignitor box) integrated aiming sights. Scx = 0.19 m² max

SPECIFICATION

To specify state:
Die-cast aluminium asymmetric floodlight for 1/2kW lamps, IP66 rated, tool-free lamp access and replacement, adjustable lamp position with internally inclined front glass and integral front cowl.
As Thorn Champion



Visor attachment



Hot restrike version

LAMPS

| | | | |
|--|------------------|-------|------------|
| | HIT-DE (MD) | K12s | 1000-2000W |
| | HIT-DE OSL (MD) | Cable | 2000W |
| | HIT-DE OSS (MD) | Cable | 2000W |
| | HIT-DE PHFC (MD) | Cable | 1000-2000W |
| | HIT-DE PHL (MD) | Cable | 2040W |
| | HST (ST) | E40 | 1000W |
| | HIT (MT) | E40 | 1000W |

STANDARDS

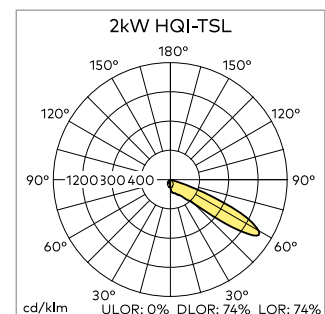
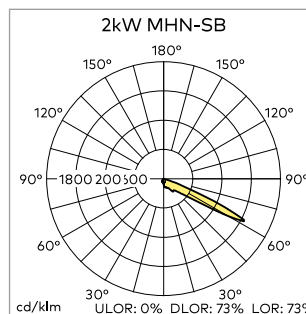
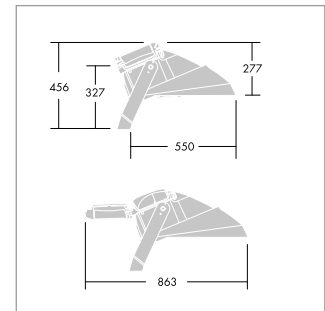
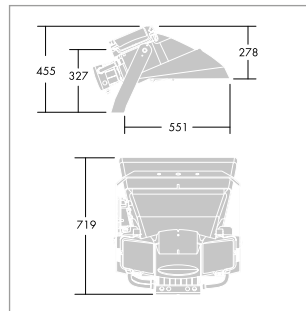
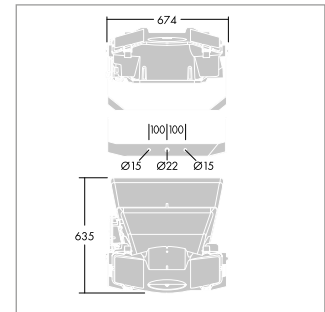


ORDERING GUIDE

Lamps and control gear to be ordered separately

| Description | Wt (kg) | SAP Code | Cat. No. |
|--|---------|----------|----------|
| Champion 1kW | | | |
| CHPK1000HPITGB CHAMPION 1KW PHI WI | | 96263078 | |
| CHPK1000HPITGT CHAMPION 1KW PHI WI | 28.52 | 96263077 | CPMP1GT |
| CHPK1000HPSGB CHAMPION 1KW WI | 33.74 | 96263074 | CPSG1GB |
| CHPK1000HPSGT CHAMPION 1KW WI | 32.19 | 96263073 | CPSG1GT |
| CHPK1000HQITGB CHAMPION 1KW O WI | 33.61 | 96263080 | CPMO1GB |
| CHPK1000HQITGT CHAMPION 1KW O WI | 32.84 | 96263079 | CPMO1GT |
| CHPK1000MHNFCGB CHAMPION 1KW PHI WI | 33.51 | 96263076 | CPMPF1GB |
| CHPK1000MHNFCGT CHAMPION 1KW PHI WI | 32.74 | 96263075 | CPMPF1GT |
| CHPK1000PMHGB CHAMPION 1KW PHI WI | 33.48 | 96263072 | CPMPL1GB |
| CHPK1000PMHGT CHAMPION 1KW PHI WI | 32.71 | 96263071 | CPMPL1GT |
| Champion 2kW | | | |
| CHPK2000HQITSGB CHAMPION 2KW O WI | 43.39 | 96263088 | CPMOS2GB |
| CHPK2000HQITSLG CHAMPION 2KW O WI | 30.97 | 96263089 | CPMOS2GL |
| CHPK2000HQITSLGB CHAMPION 2KW WI | 43.42 | 96263085 | CPMOL2GB |
| CHPK2000HQITSLGL CHAMPION 2KW WI | 30.97 | 96263086 | |
| CHPK2000MHNFCGB CHAMPION 2KW PHI WI | | 96263091 | CPMPF2GB |
| CHPK2000MHNFCGL CHAMPION 2KW PHI WI | | 96263092 | |
| CHPK2000PMHGB CHAMPION 2KW PHI WI | 43.17 | 96263082 | CPMPL2GB |
| CHPK2000HQITSHFGB CHAMPION 2KW O WI | 42.86 | 96263097 | CPMOH2GB |
| CHPK2000HQITSHFGL CHAMPION 2KW O WI | | 96263098 | |
| CHPK2000HQITSHFGT CHAMPION 2KW O WI | | 96263096 | CPMOH2GT |
| CHPK2000MHNBSHOGGB CHAMPION 2KW PHI WI | 42.80 | 96263094 | CPMPH2GB |
| CHPK2000MHNBSHOGGL CHAMPION 2KW PHI WI | | 96263095 | |
| CHPK2000MHNBSHOGT CHAMPION 2KW PHI WI | | 96263093 | CPMPH2GT |
| CHAMPION 2KW MHTS-XL CL1 WI | 20.62 | 96265716 | |
| Champion accessories | | | |
| CHAMPION NM AIMING DEVICE | 3.10 | 96262065 | CPAIM |
| CHAMPION NM AJ VS FRONT | 1.40 | 96261970 | CPVF |
| CHAMPION NM VS REAR | 0.43 | 96261971 | CPVSR |
| CHAMPION NM WG | 1.05 | 96261969 | CPWG |

To make reading our ordering guides easier please use the SAP description key fold out, inside the back cover. For more information please visit our website www.thornlighting.co.uk and simply search for our products.



Mundial C

A high power and high performance floodlight for all sport applications and large area illumination



www.thornlighting.co.uk/MUNC
www.thornlighting.ie/MUNC



- Choice of lamps giving flexibility in lumen package, Ra index and colour temperature
- Easy installation and maintenance with rear access and automatic power interruption
- Hot Restrike version suitable for sports and any applications where prolonged lack of lighting is not permitted
- Computer optimised optical systems - cylindrical reflector for side lighting with variable lampholder position for choice of distribution (standard and "extensive" extra wide). Baffle for asymmetrical distribution.

MATERIALS/FINISH

Body and frame: die-cast aluminium EN AC-44300
Front glass: thermal resistant 4mm clear glass.
Stirrup: unpainted galvanised steel.
Visor and louvre: black aluminium.
Wiring box for electrical connection: polyamid.
For Hot restrike Irem version - ignitor box including timer unit: polyester.
Cable protection for cables used to connect the HR ignitor on Mundial: rigid black PVC in spiral.

INSTALLATION/MOUNTING

Stirrup fixed by single M20 bolt through 22mm Ø central hole, or twin bolts through 15mm Ø holes.
Cable clamp supplied for 7.5-13mm Ø flexible cable.
Gearless floodlight (geartray to be ordered separately).
Hood accessory fixed via 4 screws.

SPECIFICATION

To specify state:
Standard/Hot restrike floodlight for 1/1.5/2kW linear metal halide lamps, in die-cast aluminium with asymmetric/symmetric optical system with three lamp positions (narrow, medium and wide photometric distribution). Rear access to the lamp with automatic power disconnection. IP65. Class II insulation. Class I for HR version.
As Thorn Mundial C.



Hot restrike version



Easy aiming facility



Easy access to lamp

LAMPS

| | | | |
|--|-----------------|-------|------------|
| | HIT-DE (MD) | Cable | 1000-2000W |
| | HIT-DE OSS (MD) | Cable | 2000W |
| | HIT-DE PHL (MD) | Cable | 2040W |
| | HST (ST) | E40 | 1000W |
| | HIT (MT) | E40 | 1000W |

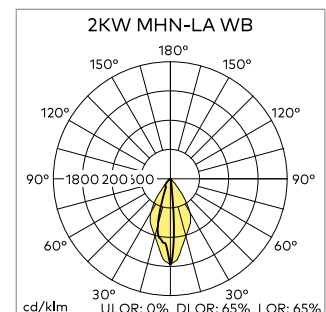
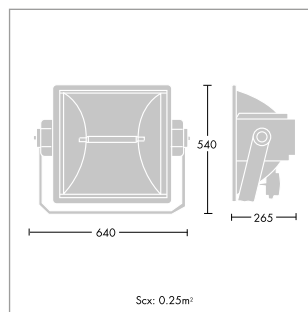
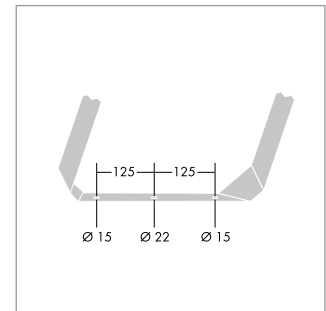
STANDARDS

ORDERING GUIDE

For complete package order floodlight and gear set. Supplied complete with lamps.

| Description | Wt (kg) | SAP Code | Cat. No. |
|--|---------|----------|------------|
| Mundial C 1 kW | | | |
| MUNDIAL 1KW HST S/S WB WI E40/L | 15.80 | 96546799 | MUCST1S |
| MUNDIAL 1KW S/S HQI-TS WB WI/L | 15.30 | 96546796 | MUCMD1S |
| MUNDIAL 1KW S/S WB E40 WI HGIT/L | 15.80 | 96546790 | MUCMT1S |
| Mundial C 2 kW | | | |
| MUNDIAL 2KW S/S EXT WB WI MHN-LA/L | 16.75 | 96546791 | MUCMPD2EXS |
| MUNDIAL 2KW S/S WB WI MBILH/L | 16.50 | 96546789 | MUCMGD2S |
| MUNDIAL 2KW S/S WB WI MHNLA/L | 16.54 | 96546788 | MUCMPD2S |
| Mundial C Gears | | | |
| GT 1KW 230/240V HIT/OS NI | 13.90 | 96012078 | MUM1GT |
| GT 1KW 230/240V HST NI | 13.12 | 96102388 | MUS1GT |
| GT 2KW 380-415V HIT-DE NI | 16.60 | 96270876 | |
| Mundial C Attachments and accessories | | | |
| MUNDIAL LV | 3.92 | 96008489 | MUCLV |
| MUNDIAL VS | 5.00 | 96011307 | MUCV |

To make reading our ordering guides easier please use the SAP description key fold out, inside the back cover. For more information please visit our website www.thornlighting.co.uk and simply search for our products.





Outdoor Lighting

WALL MOUNTED LUMINAIRES



148
Avenue Wall
300 II



149
Escort



150
EyeKon LED



152
Leopard



154
Piazza II LED

Avenue

Wall 300 II



www.thornlighting.co.uk/AVW2
www.thornlighting.ie/AVW2



Elegant LED wall light,
 complementing the Avenue Deco post
 top lantern and bollard range



LAMPS

LED 14W

STANDARDS

IP65

- Sealed to IP65.
- Choice of colour temperatures:
 3200K or 4200K

MATERIALS/FINISH

Body: cast aluminium, sanded grey
 (close to RAL7043)

Internal reflector: anodised
 aluminium

Diffuser: opal polycarbonate

INSTALLATION/MOUNTING

Mounts directly to wall via 3 screws
 (provided). Glands suitable for loop-
 in / loop-out wiring with Ø8-12mm
 cable.

SPECIFICATION

To specify state:

Aluminium bodied, semi-conical wall
 light for surface mounting with opal
 polycarbonate diffuser employing
 14W LED

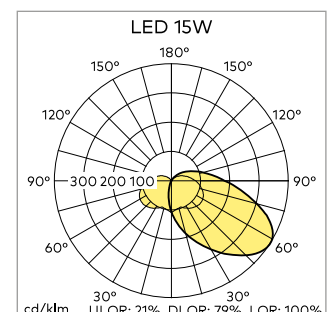
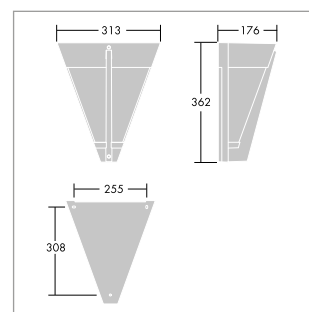
As Thorn Avenue Wall 300 II

ORDERING GUIDE

Supplied complete with LEDs

| Description | Wt (kg) | SAP Code | Cat. No. |
|----------------------------------|---------|----------|----------|
| Avenue Wall 300 II | | | |
| AVENUE W300 II LED 12L35 730 CL2 | 3.42 | 96258554 | AUW32K15 |
| AVENUE W300 II LED 12L35 740 CL2 | 3.42 | 96259038 | AUW42K15 |

To make reading our ordering guides easier please use the SAP description key fold out,
 inside the back cover. For more information please visit our website
www.thornlighting.co.uk and simply search for our products.






www.thornlighting.co.uk/ESCT
www.thornlighting.ie/ESCT



LAMPS

 LED 7-12W

STANDARDS

  IP65 IK10 T_a25 850 °C


- Durable cast alloy construction for interior and exterior usage
- Emergency versions are also available (see Voyager Escort range)

MATERIALS/FINISH

Diffuser: opal polycarbonate with vandal resistant screws
 Control gear: switch start

INSTALLATION/MOUNTING

Direct wall or ceiling mounting. Drill points on rear for ceiling/wall box/ BESA mounting. Ø20mm cable entry at either end and 4 fixing points. 3 way terminal block, 2x2.5mm² capacity. Cable gland and blanking grommets (2) supplied.

SPECIFICATION

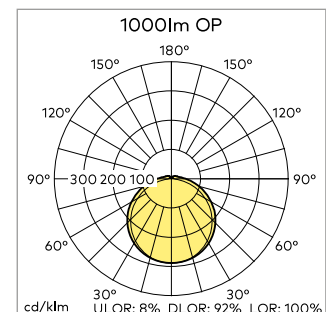
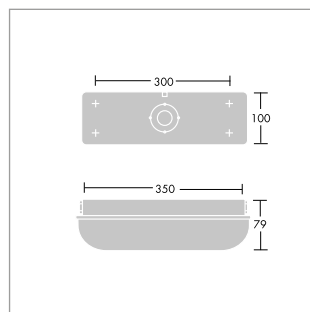
To specify state:
 Self-contained exterior LED bulkhead for standard mains operation. Cast aluminium body and opal polycarbonate diffuser. IP65.
 As Thorn Escort

ORDERING GUIDE

Supplied complete with LEDs.

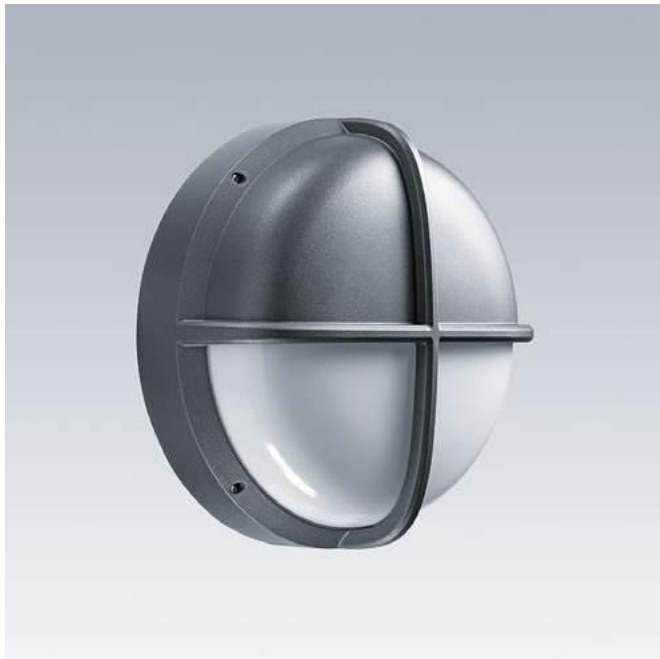
| Description | Wt (kg) | SAP Code | Cat. No. |
|------------------------|---------|----------|----------|
| Escort | | | |
| ESCORT LED 800 OP WHI | 1.20 | 96241510 | ESL8 |
| ESCORT LED 1000 OP WHI | 1.20 | 96241059 | ESL10 |

To make reading our ordering guides easier please use the SAP description key fold out, inside the back cover. For more information please visit our website www.thornlighting.co.uk and simply search for our products.





www.thornlighting.co.uk/EYKL
www.thornlighting.ie/EYKL



Energy efficient, robust and
impact resistant LED bulkheads



LAMPS

LED 7-16W

STANDARDS

CE EN 60598 IP65 IK10 T_a25 T_a35
850°C

- Available in two sizes, four designs and three colour options
- Lumen packages from 400 to 1550 lumens giving options for wider spacing without leaving dark areas
- Presence detection that will switch on when sensor is activated, illuminating the area
- Corridor function that will dim to 10% and switch to 100% when the area is occupied, thus maximising energy savings

MATERIALS/FINISH

Housing and decorative feature (bezel, cross, halo and visor): die-cast aluminium
Diffuser: opal polycarbonate
Reflector in aluminium for Visor/Halo, sheet steel for Bezel/Cross
Gaskets: extruded silicone rubber sponge

INSTALLATION/MOUNTING

Suitable for wall or ceiling mounting with central BESA provision and four fixing points (2 horizontal holes to aid adjustment, additional holes for security or uneven surfaces). Two cable entries to rear or side (not for conduit use) into 3 way terminal block (2x2.5mm²) (4 way for E3 versions, 6 way for E3TX versions). Looping possible. Separate gear tray secures with two screws. Tamper proof screws, torx key supplied with every luminaire.

SPECIFICATION

To specify state:
Surface mounted bulkhead with die-cast black/silver grey/anthracite/white aluminium body and opal polycarbonate diffuser. IP65, IK10 double wall design that will conceal cable from view. Round large/small with bezel/cross/halo-visor/visor. With emergency/presence sensor/energy saving options.
As Thorn EyeKon LED

ORDERING GUIDE

Supplied complete with LEDs

| Description | Wt (kg) | SAP Code | Cat. No. |
|--|---------|----------|-------------|
| EyeKon LED Small with bezel, anthracite | | | |
| EYE BE LED700-830 HF S ANT | 2.30 | 96665954 | EYS7ZB3K |
| EYE BE LED700-840 HF S ANT | 2.30 | 96665862 | EYS7ZB4K |
| EYE BE LED700-840 MWS S ANT | 2.40 | 96665863 | EYS7ZMB4K |
| EYE BE LED1100-830 HF S ANT | 2.30 | 96665956 | EYS11ZB3K |
| EYE BE LED1100-840 HF S ANT | 2.30 | 96665878 | EYS11ZB4K |
| EYE BE LED1100-840 MWS S ANT | 2.40 | 96665879 | EYS11ZMB4K |
| EyeKon LED Small with bezel, emergency, anthracite | | | |
| EYE BE LED700-840 HF E3 S ANT | 2.60 | 96665864 | EYS7ZEB4K |
| EYE BE LED700-840 MWS E3 S ANT | 2.70 | 96665865 | EYS7ZMEB4K |
| EYE BE LED1100-840 HF E3 S ANT | 2.60 | 96665880 | EYS11ZEB4K |
| EYE BE LED1100-840 MWS E3 S ANT | 2.70 | 96665881 | EYS11ZMEB4K |
| EyeKon LED Small with cross, anthracite | | | |
| EYE CR LED600-830 HF S ANT | 2.50 | 96665953 | EYS6ZC3K |
| EYE CR LED600-840 HF S ANT | 2.50 | 96665858 | EYS6ZC4K |
| EYE CR LED600-840 MWS S ANT | 2.60 | 96665859 | EYS6ZMC4K |
| EYE CR LED950-830 HF S ANT | 2.50 | 96665955 | EYS9ZC3K |
| EYE CR LED950-840 HF S ANT | 2.50 | 96665874 | EYS9ZC4K |
| EYE CR LED950-840 MWS S ANT | 2.60 | 96665875 | EYS9ZMC4K |
| EyeKon LED Small with cross, emergency, anthracite | | | |
| EYE CR LED600-840 HF E3 S ANT | 2.80 | 96665860 | EYS6ZEC4K |
| EYE CR LED600-840 MWS E3 S ANT | 2.90 | 96665861 | EYS6ZMEC4K |
| EYE CR LED950-840 HF E3 S ANT | 2.80 | 96665876 | EYS9ZEC4K |
| EYE CR LED950-840 MWS E3 S ANT | 2.90 | 96665877 | EYS9ZMEC4K |
| EyeKon LED Small with halo-visor, anthracite | | | |
| EYE HA LED400-830 HF S ANT | 2.50 | 96665952 | EYS4ZH3K |
| EYE HA LED400-840 HF S ANT | 2.50 | 96665850 | EYS4ZH4K |
| EYE HA LED400-840 MWS S ANT | 2.60 | 96665851 | EYS4ZMH4K |
| EYE HA LED700-830 HF S ANT | 2.50 | 96628454 | EYS7ZH3K |
| EYE HA LED700-840 HF S ANT | 2.50 | 96665866 | EYS7ZH4K |
| EYE HA LED700-840 MWS S ANT | 2.60 | 96665867 | EYS7ZMH4K |
| EyeKon LED Small with halo-visor, emergency, anthracite | | | |
| EYE HA LED400-840 HF E3 S ANT | 2.80 | 96665852 | EYS4ZEH4K |
| EYE HA LED400-840 MWS E3 S ANT | 2.90 | 96665853 | EYS4ZMEH4K |
| EYE HA LED700-840 HF E3 S ANT | 2.80 | 96665868 | EYS7ZEH4K |
| EYE HA LED700-840 MWS E3 S ANT | 2.90 | 96665869 | EYS7ZMEH4K |
| EyeKon LED Small with visor, anthracite | | | |
| EYE VS LED400-830 COR MWS RF S ANT | 2.52 | 96666054 | EYS4CMWV3K |
| EYE VS LED400-830 HF S ANT | 2.50 | 96628455 | EYS4ZV3K |
| EYE VS LED400-830 MWS RF S ANT | 2.45 | 96666051 | EYS4ZMWV3K |



White, with bezel



Black, with halo-visor



Silver grey, with cross



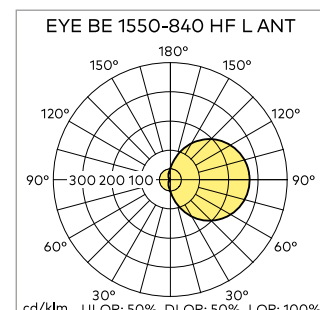
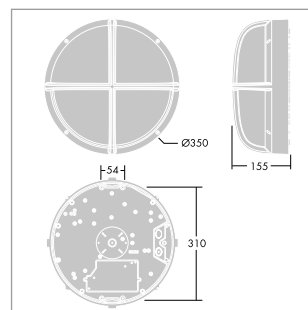
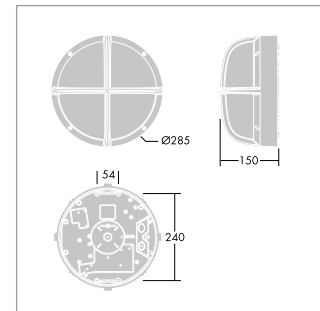
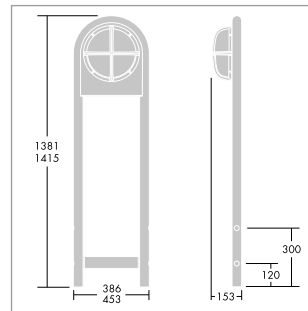
Anthracite bollard, with visor

| Description | Wt (kg) | SAP Code | Cat. No. |
|--|---------|----------|-------------|
| EYE VS LED400-840 HF S ANT | 2.50 | 96665854 | EYS4ZV4K |
| EYE VS LED400-840 MWS S ANT | 2.60 | 96665855 | EYS4ZMV4K |
| EYE VS LED700-830 COR MWS RF S ANT | 3.46 | 96660660 | EYS7CMWV3K |
| EYE VS LED700-830 HF S ANT | 2.50 | 96628456 | EYS7ZV3K |
| EYE VS LED700-830 MWS RF S ANT | 3.40 | 96666057 | EYS7ZMwV3K |
| EYE VS LED700-840 HF S ANT | 2.50 | 96665870 | EYS7ZV4K |
| EYE VS LED700-840 MWS S ANT | 2.60 | 96665871 | EYS7ZMV4K |
| Eyeikon LED Small with visor, emergency, anthracite | | | |
| EYE VS LED400-830 HF RF E3 S ANT | 2.34 | 9666052 | EYS4ZWEV3K |
| EYE VS LED400-830 HF RF E3TX S ANT | 2.48 | 9666053 | EYS4ZWEV3K |
| EYE VS LED400-830 MWS E3 S ANT | 2.45 | 9666049 | EYS4ZMEV3K |
| EYE VS LED400-830 MWS E3TX S ANT | 2.44 | 9666050 | EYS4ZMEV3K |
| EYE VS LED400-840 HF E3 S ANT | 2.80 | 96665856 | EYS4ZEV4K |
| EYE VS LED400-840 MWS E3 S ANT | 2.90 | 96665857 | EYS4ZMEV4K |
| EYE VS LED700-830 HF E3 S ANT | 2.42 | 9666055 | EYS7ZEV3K |
| EYE VS LED700-830 HF E3TX S ANT | 3.43 | 9666056 | EYS7ZEV3K |
| EYE VS LED700-830 HF RF E3 S ANT | 3.58 | 9666058 | EYS7ZWEV3K |
| EYE VS LED700-830 HF RF E3TX S ANT | 3.58 | 9666059 | EYS7ZWEV3K |
| EYE VS LED700-840 HF E3 S ANT | 2.80 | 96665872 | EYS7ZEV4K |
| EYE VS LED700-840 MWS E3 S ANT | 2.90 | 96665873 | EYS7ZMEV4K |
| Eyeikon LED Large with bezel, anthracite | | | |
| EYE BE LED1150-830 HF L ANT | 3.30 | 96665958 | EYL11ZB3K |
| EYE BE LED1150-840 HF L ANT | 3.30 | 96665894 | EYL11ZB4K |
| EYE BE LED1150-840 MWS L ANT | 3.40 | 96665895 | EYL11ZMB4K |
| EYE BE LED1550-830 HF L ANT | 3.30 | 96665961 | EYL15ZB3K |
| EYE BE LED1550-840 HF L ANT | 3.30 | 96665910 | EYL15ZB4K |
| EYE BE LED1550-840 MWS L ANT | 3.40 | 96665911 | EYL15ZMB4K |
| Eyeikon LED Large with bezel, emergency, anthracite | | | |
| EYE BE LED1150-840 HF E3 L ANT | 3.60 | 96665896 | EYL11ZEB4K |
| EYE BE LED1150-840 MWS E3 L ANT | 3.70 | 96665897 | EYL11ZMEB4K |
| EYE BE LED1550-840 HF E3 L ANT | 3.60 | 96665912 | EYL15ZEB4K |
| EYE BE LED1550-840 MWS E3 L ANT | 3.70 | 96665913 | EYL15ZMEB4K |
| Eyeikon LED Large with cross, anthracite | | | |
| EYE CR LED1000-830 HF L ANT | 3.50 | 96665959 | EYL10ZC3K |
| EYE CR LED1000-840 HF L ANT | 3.50 | 96665890 | EYL10ZC4K |
| EYE CR LED1000-840 MWS L ANT | 3.60 | 96665891 | EYL10ZMC4K |
| EYE CR LED1350-830 HF L ANT | 3.50 | 96665960 | EYL13ZC3K |
| EYE CR LED1350-840 HF L ANT | 3.50 | 96665906 | EYL13ZC4K |
| EYE CR LED1350-840 MWS L ANT | 3.60 | 96665907 | EYL13ZMC4K |
| Eyeikon LED Large with cross, emergency, anthracite | | | |
| EYE CR LED1000-840 HF E3 L ANT | 3.80 | 96665892 | EYL10ZEC4K |
| EYE CR LED1000-840 MWS E3 L ANT | 3.90 | 96665893 | EYL10ZMEC4K |
| EYE CR LED1350-840 HF E3 L ANT | 3.80 | 96665908 | EYL13ZEC4K |
| EYE CR LED1350-840 MWS E3 L ANT | 3.90 | 96665909 | EYL13ZMEC4K |
| Eyeikon LED Large with visor, anthracite | | | |
| EYE VS LED750-830 HF L ANT | 3.50 | 96628458 | EYL7ZV3K |
| EYE VS LED750-840 HF L ANT | 3.50 | 96665886 | EYL7ZV4K |
| EYE VS LED750-840 MWS L ANT | 3.60 | 96665887 | EYL7ZMV4K |
| EYE VS LED1000-830 HF L ANT | 3.50 | 96628459 | EYL10ZV3K |
| EYE VS LED1000-840 HF L ANT | 3.50 | 96665902 | EYL10ZV4K |
| EYE VS LED1000-840 MWS L ANT | 3.60 | 96665903 | EYL10ZMV4K |
| Eyeikon LED Large with visor, emergency, anthracite | | | |
| EYE VS LED750-830 COR MWS E3 L ANT | 3.44 | 96666063 | EYL7CMEXV3K |
| EYE VS LED750-830 COR MWS E3TX L ANT | 3.48 | 96666064 | EYL7CMEXV3K |
| EYE VS LED750-830 COR RF E3 L ANT | 3.54 | 96666065 | EYL7CWEXV3K |
| EYE VS LED750-830 COR RF E3TX L ANT | 3.36 | 96666066 | EYL7CWEXV3K |
| EYE VS LED750-830 MWS E3 L ANT | 3.50 | 96666061 | EYL7ZMEV3K |
| EYE VS LED750-830 MWS E3TX L ANT | 3.46 | 96666062 | EYL7ZMEV3K |
| EYE VS LED750-840 HF E3 L ANT | 3.80 | 96665888 | EYL7ZEV4K |
| EYE VS LED750-840 MWS E3 L ANT | 3.90 | 96665889 | EYL7ZMEV4K |

| Description | Wt (kg) | SAP Code | Cat. No. |
|---------------------------------------|---------|----------|--------------|
| EYE VS LED1000-830 COR MWS E3 L ANT | 2.44 | 96666069 | EYL10CMEXV3K |
| EYE VS LED1000-830 COR MWS E3TX L ANT | 3.17 | 96666070 | EYL10CMEXV3K |
| EYE VS LED1000-830 COR RF E3 L ANT | 3.10 | 96666071 | EYL10CWEXV3K |
| EYE VS LED1000-830 MWS E3 L ANT | 3.47 | 96666067 | EYL10ZMEV3K |
| EYE VS LED1000-830 MWS E3TX L ANT | 2.28 | 96666068 | EYL10ZMEV3K |
| EYE VS LED1000-840 COR RF E3TX L ANT | 3.37 | 96666072 | EYL10CWEXV4K |
| EYE VS LED1000-840 HF E3 L ANT | 3.80 | 96665904 | EYL10ZMEV4K |
| EYE VS LED1000-840 MWS E3 L ANT | 3.90 | 96665905 | EYL10ZMEV4K |

| Eyeikon LED Bollards | | | |
|-----------------------------|------|----------|---------|
| EYE BOLLARD LARGE ANT | 9.00 | 96207081 | EYLBOLA |
| EYE BOLLARD SMALL ANT | 9.00 | 96207085 | EYSBOLA |

To make reading our ordering guides easier please use the SAP description key fold out, inside the back cover. For more information please visit our website www.thornlighting.co.uk and simply search for our products.





www.thornlighting.co.uk/LPRD
www.thornlighting.ie/LPRD



- Sealed to IP65 for exterior applications when supplied gasket fitted
- Energy saving sensor options, luminaire is activated when movement has been detected, then will switch off
- Integral emergency version as standard
- With sensor and emergency lighting options

MATERIALS/FINISH

Bodies: white polycarbonate
Diffusers: polycarbonate opal
Geartray: Pre-coated steel

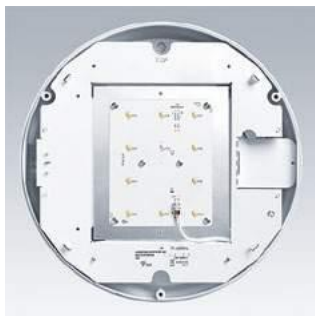
INSTALLATION/MOUNTING

Suitable for surface mounting with rear BESA provision, side entry (25mm conduit) for through wiring with entry into 3 way terminal block suitable to accept 2 x 2.5mm. Vandal resistant screw kit available as an accessory. Sensor options have adjustments for sensitivity, daylight and activated period.

All internal components are fixed to a white pre-coated gear tray which has a unique (tool free) click fit into base. Switch start and High Frequency ballast, 240V 50/60 Hz

SPECIFICATION

To specify state:
Polycarbonate bulkhead white base, tool-less gear tray fixation.
With unique opal diffuser.
As Thorn Leopard.



LAMPS

LED

10-13W

STANDARDS

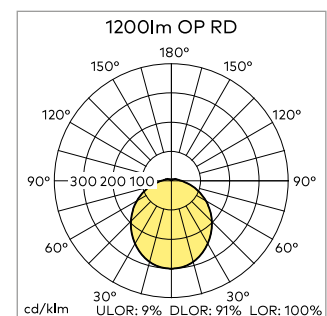
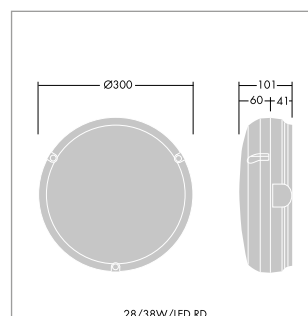
EN 60598
 IP65
 IK10
 Ta25
 850°C

ORDERING GUIDE

Supplied complete with lamp/LEDs

| Description | Wt (kg) | SAP Code | Cat. No. |
|--|---------|----------|------------|
| Leopard LED | | | |
| LEOPARD 900 LED2 OP RD WH L840 | 0.73 | 96627757 | LER9ZOPW |
| LEOPARD 900 LED2 MWS OP RD WH L840 | 0.81 | 96627758 | LER9ZSOPW |
| LEOPARD 1200 LED2 E3 OP RD WH L840 | 1.18 | 96617047 | LER12ZEOPW |
| LEOPARD 1200 LED2 OP RD WH L840 | 0.95 | 96617046 | LER12ZOPW |
| Leopard Accessories | | | |
| LEOPARD 1X28W TC-DD HF E3 CONVERSION KIT | 1.50 | 96010367 | LE128BEKIT |
| LEOPARD PHOTOCCELL KIT | 0.30 | 96010365 | LEPCKIT |
| LEOPARD VANDAL PROOF SCREW KIT | 0.10 | 96010366 | LEVPKIT |

To make reading our ordering guides easier please use the SAP description key fold out, inside the back cover. For more information please visit our website www.thornlighting.co.uk and simply search for our products.



NEW

Piazza II

LED



www.thornlighting.co.uk/PIA2
www.thornlighting.ie/PIA2

Path lighting with maximised efficiency and minimal light pollution



- Unique photometrics with 3m forward light throw and 12m spacing - ideal for perimeter walkways
- Very low upward light throw with less than 2.5% ULOR
- Excellent 116 lm/W efficiency
- Easy installation, back mounted, BESA and surface mounted conduit compatible

MATERIAL/FINISH

Back-plate: die-cast aluminium painted anthracite (RAL7016)
Body: polycarbonate in anthracite colour (RAL 7016)
Diffuser: textured clear polycarbonate

INSTALLATION/MOUNTING

Wall mountable. Ø20 mm cable entry via rear or side conduit entries. Recommended 3-4 metre mounting height.

SPECIFICATION

IP65, IK10 vandal resistant wall mounting luminaire in anthracite (RAL 7016) with less than 2.5% ULOR. In polycarbonate body & cast aluminium back-plate. 1690/2700 lumen output with fixed output or DALI dimmable control gear/ integral photo sensor/integral manual or Self/Addressable test 3 hour emergency lighting options. As Thorn Piazza II LED.



LAMPS

LED

106lm/W

STANDARDS

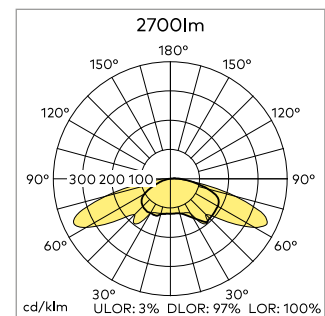
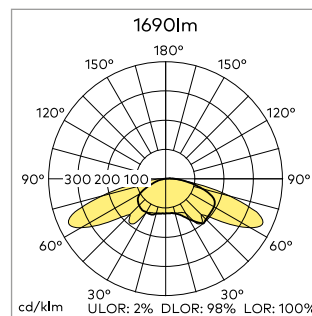
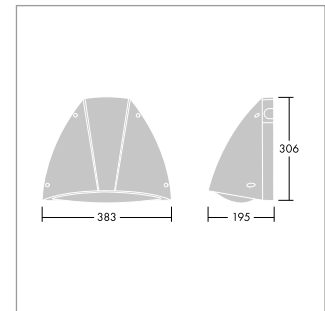
CE IP65 IK10

ORDERING GUIDE

Supplied complete with lamp/LEDs

| Description | Wt (kg) | SAP Code | Cat. No. |
|-------------------------------------|---------|----------|--------------|
| Piazza II LED | | | |
| PIAZZA II LED 1690-840 HF ANT | 2.8 | 96666256 | PZLL1690HF |
| PIAZZA II LED 1690-840 HF P ANT | 2.8 | 96666259 | PZLL1690HFP |
| PIAZZA II LED 2700-840 HF ANT | 2.8 | 96666261 | PZLL12700F |
| PIAZZA II LED 2700-840 HF P ANT | 2.8 | 96666264 | PZLL2700HFP |
| Piazza II LED, emergency | | | |
| PIAZZA II LED 1690-840 HF E3 ANT | 3.1 | 96666257 | PZLL1690HFE |
| PIAZZA II LED 1690-840 HF E3TX ANT | 3.1 | 96666258 | PZLL1690HFET |
| PIAZZA II LED 2700-840 HF E3 ANT | 3.1 | 96666262 | PZLL2700HFE |
| PIAZZA II LED 2700-840 HF E3TX ANT | 3.1 | 96666263 | PZLL2700HFET |
| Piazza II LED, dimmable | | | |
| PIAZZA II LED 1690-840 HFI-X EC ANT | 2.8 | 96666260 | PZLL1690HFEC |
| PIAZZA II LED 2700-840 HFI-X EC ANT | 2.8 | 96666265 | PZLL2700HFEC |

To make reading our ordering guides easier please use the SAP description key fold out, inside the back cover. For more information please visit our website www.thornlighting.co.uk and simply search for our products.





Outdoor Lighting

URBAN AMENITY LIGHTING



158
Urba Deco



162
Avenue D² LED



164
Avenue F2 LED



166
Legend



168
Plurio LED



172
FleXity



174
Gamma LED



176
Alumet Control
Direct LED



NEW
178
Alumet Stage II

Bollards



180
Urba Bollard



181
Thor Bollard



184
D-CO LED
Bollard

See also



104
Linn Bollard



204
Orus LED Bollard

Urba Deco



www.thornlighting.co.uk/URBD
www.thornlighting.ie/URBD



- Unique architectural shape with a sophisticated light signature
- A harmonious balance between performance and comfort
- A choice of 25 light distributions, please refer to page 205 for the Thorn R-PEC® LED options
- A choice of five mounting options offering versatility in lighting projects
- Low weight and pre-wired for easy installation and tool-free maintenance
- From 92 up to 128lm/W

MATERIALS/FINISH

Canopy and base: die cast aluminium (AS9U3, LM24 equivalent, EN AC-46000) sandy black close to RAL 9005

Glass: 6mm thick clear or prismatic glass

Arms: die cast aluminium sandy black close to RAL 9005, covered with a white or black shield in plastic ASA

INSTALLATION/MOUNTING

Suitable for post top, catenary, suspension and wall mounting. Recommended mounting height: post top 3 to 6m, suspended 3 to 8m, catenary 5 to 8m. Post Top: mounting on spigot/columns Ø60mm or Ø76mm: with 2 screws (Allen 4). Maintenance with access from above. Pre-wired versions (6m), supplied complete and ready to install, in a single box. Catenary and suspension: fixing through 34G, maintenance with access from below. Dedicated columns and brackets available.

SPECIFICATION

To specify state:
Decorative post top LED lantern with a unique lighting signature. Offered as post top, suspended and catenary variants, with up to 8 500 Llm. Wide optical offer with 24 light distributions, and a performance clear or a comfort prismatic variant. Post top mounting for diameter 60mm or 76mm. DALI and BP as standard, or LRT, also through wiring for the catenary. Offering a collection of dedicated supports. As Thorn Urba Deco.

Smart, sophisticated
architectural urban LED lighting



ORDERING GUIDE

| Description | Wt (kg) | SAP Code | Cat. No. |
|--|---------|----------|------------------|
| Urba Deco, MTP 250mA, Pedestrian walkway and cycle path, symmetrical optic | | | |
| UD 24L25-730 PWC-S CL CL1 6M MTP60-L | 7.50 | 96272785 | UD24L253KPCPSPL |
| UD 24L25-730 PWC-S CL CL1 6M MTP60-T | 7.50 | 96272784 | UD24L253KPCPSPT |
| UD 24L25-740 PWC-S CL CL1 6M MTP60-L | 7.50 | 96272995 | UD24L254KPCPSPL |
| UD 24L25-740 PWC-S CL CL1 6M MTP60-T | 7.50 | 96272994 | UD24L254KPCPSPT |
| Urba Deco, MTP 500mA, Pedestrian walkway and cycle path, symmetrical optic | | | |
| UD 24L50-730 PWC-S CL CL1 6M MTP60-L | 7.50 | 96272789 | UD24L503KPCPSPL |
| UD 24L50-730 PWC-S CL CL1 6M MTP60-T | 7.50 | 96272788 | UD24L503KPCPSPT |
| UD 24L50-740 PWC-S CL CL1 6M MTP60-L | 7.50 | 96272999 | UD24L504KPCPSPL |
| UD 24L50-740 PWC-S CL CL1 6M MTP60-T | 7.50 | 96272998 | UD24L504KPCPSPT |
| Urba Deco, MTP 250mA, Pedestrian walkway and cycle path, asymmetrical optic | | | |
| UD 24L25-730 PWC-A CL CL1 6M MTP60-L | 7.50 | 96272791 | UD24L253KPCAPL |
| UD 24L25-730 PWC-A CL CL1 6M MTP60-T | 7.50 | 96272790 | UD24L253KPCAPT |
| UD 24L25-740 PWC-A CL CL1 6M MTP60-L | 7.50 | 96273001 | UD24L254KPCAPL |
| UD 24L25-740 PWC-A CL CL1 6M MTP60-T | 7.50 | 96273000 | UD24L254KPCAPT |
| Urba Deco, MTP 500mA, Pedestrian walkway and cycle path, asymmetrical optic | | | |
| UD 24L50-730 PWC-A CL CL1 6M MTP60-L | 7.50 | 96272795 | UD24L503KPCAPL |
| UD 24L50-730 PWC-A CL CL1 6M MTP60-T | 7.50 | 96272794 | UD24L503KPCAPT |
| UD 24L50-740 PWC-A CL CL1 6M MTP60-L | 7.50 | 96273005 | UD24L504KPCAPL |
| UD 24L50-740 PWC-A CL CL1 6M MTP60-T | 7.50 | 96273004 | UD24L504KPCAPT |
| Urba Deco, MTP 500mA, Wide street, symmetric optic | | | |
| UD 24L50-730 WS-S CL CL1 6M MTP60-T | 7.50 | 96272798 | UD24L503KCWSSPT |
| UD 24L50-740 WS-S CL CL1 6M MTP60-T | 7.50 | 96273008 | UD24L504KCWSSPT |
| Urba Deco, MTP 500mA, Wide street, asymmetric optic | | | |
| UD 24L50-730 WS-A CL CL1 6M MTP60-T | 7.50 | 96272802 | UD24L503KCWSAPT |
| UD 24L50-740 WS-A CL CL1 6M MTP60-T | 7.50 | 96273012 | UD24L504KCWSAPT |
| Urba Deco, MTP 250mA CL, Wide street comfort, symmetrical optic | | | |
| UD 24L25-730 WSC-S CL CL1 6M MTP60-L | 7.50 | 96272805 | UD24L253KCWSCSPL |
| UD 24L25-730 WSC-S CL CL1 6M MTP60-T | 7.50 | 96272804 | UD24L253KCWSCSPT |
| UD 24L25-740 WSC-S CL CL1 6M MTP60-L | 7.50 | 96273015 | UD24L254KCWSCSPL |
| UD 24L25-740 WSC-S CL CL1 6M MTP60-T | 7.50 | 96273014 | UD24L254KCWSCSPT |
| Urba Deco, MTP 250mA PR, Wide street comfort, symmetrical optic | | | |
| UD 24L25-730 WSC-S PR CL1 6M MTP60-L | 7.50 | 96273960 | |
| UD 24L25-730 WSC-S PR CL1 6M MTP60-T | 7.50 | 96272826 | UD24L253KPWSCSPT |
| UD 24L25-730 WSC-S PR CL1 6M MTP76-L | 7.85 | 96273964 | |
| UD 24L25-740 WSC-S PR CL1 6M MTP60-L | 7.50 | 96273962 | |
| UD 24L25-740 WSC-S PR CL1 6M MTP60-T | 7.50 | 96273036 | UD24L254KPWSCSPT |
| UD 24L25-740 WSC-S PR CL1 6M MTP76-L | 7.85 | 96273966 | |

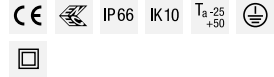


LAMPS

LED

20-72W

STANDARDS



| Description | Wt (kg) | SAP Code | Cat. No. |
|---|---------|----------|-----------------|
| Urba Deco, MTP 350mA PR, Wide street comfort, symmetrical optic | | | |
| UD 48L35-730 WSC-S PR CL1 6M MTP60-T | 7.50 | 96272829 | UD48L353KPWCSPT |
| UD 48L35-740 WSC-S PR CL1 6M MTP60-T | 7.50 | 96273039 | UD48L354KPWCSPT |
| Urba Deco, MTP 500mA CL, Wide street comfort, symmetrical optic | | | |
| UD 24L50-730 WSC-S CL CL1 6M MTP60-L | 7.50 | 96272809 | UD24L503KCWCSP |
| UD 24L50-730 WSC-S CL CL1 6M MTP60-T | 7.50 | 96272808 | UD24L503KCWCSP |
| UD 24L50-740 WSC-S CL CL1 6M MTP60-L | 7.50 | 96273019 | UD24L504KCWCSP |
| UD 24L50-740 WSC-S CL CL1 6M MTP60-T | 7.50 | 96273018 | UD24L504KCWCSP |
| Urba Deco, MTP 500mA PR, Wide street comfort, symmetrical optic | | | |
| UD 24L50-730 WSC-S PR CL1 6M MTP60-L | 7.50 | 96273976 | |
| UD 24L50-730 WSC-S PR CL1 6M MTP60-T | 7.50 | 96272828 | UD24L503KPWCSPT |
| UD 24L50-730 WSC-S PR CL1 6M MTP76-L | 7.85 | 96273980 | |
| UD 24L50-740 WSC-S PR CL1 6M MTP60-L | 7.50 | 96273978 | |
| UD 24L50-740 WSC-S PR CL1 6M MTP60-T | 7.50 | 96273038 | UD24L504KPWCSPT |
| UD 24L50-740 WSC-S PR CL1 6M MTP76-L | 7.85 | 96273982 | |
| Urba Deco, MTP 250mA CL, Wide street comfort, asymmetrical optic | | | |
| UD 24L25-730 WSC-A CL CL1 6M MTP60-L | 7.50 | 96272811 | UD24L253KCWCAP |
| UD 24L25-730 WSC-A CL CL1 6M MTP60-T | 7.50 | 96272810 | UD24L253KCWCAP |
| UD 24L25-740 WSC-A CL CL1 6M MTP60-L | 7.50 | 96273021 | UD24L254KCWCAP |
| UD 24L25-740 WSC-A CL CL1 6M MTP60-T | 7.50 | 96273020 | UD24L254KCWCAP |
| Urba Deco, MTP 250mA PR, Wide street comfort, asymmetrical optic | | | |
| UD 24L25-730 WSC-A PR CL1 6M MTP60-T | 7.50 | 96272830 | UD24L253KPWCAPT |
| UD 24L25-730 WSC-A PR CL1 6M MTP76-L | 7.85 | 96273972 | |
| UD 24L25-740 WSC-A PR CL1 6M MTP60-L | 7.50 | 96273970 | |
| UD 24L25-740 WSC-A PR CL1 6M MTP76-L | 7.85 | 96273974 | |
| Urba Deco, MTP 350mA PR, Wide street comfort, asymmetrical optic | | | |
| UD 48L35-730 WSC-A PR CL1 6M MTP60-T | 7.50 | 96272833 | UD48L353KPWCAPT |
| UD 48L35-740 WSC-A PR CL1 6M MTP60-T | 7.50 | 96273043 | UD48L354KPWCAPT |
| Urba Deco, MTP 500mA CL, Wide street comfort, asymmetrical optic | | | |
| UD 24L50-730 WSC-A CL CL1 6M MTP60-L | 7.50 | 96272815 | UD24L503KCWCAP |
| UD 24L50-730 WSC-A CL CL1 6M MTP60-T | 7.50 | 96272814 | UD24L503KCWCAP |
| UD 24L50-740 WSC-A CL CL1 6M MTP60-L | 7.50 | 96273025 | UD24L504KCWCAP |
| UD 24L50-740 WSC-A CL CL1 6M MTP60-T | 7.50 | 96273024 | UD24L504KCWCAP |
| Urba Deco, MTP 500mA PR, Wide street comfort, asymmetrical optic | | | |
| UD 24L50-730 WSC-A PR CL1 6M MTP60-L | 7.50 | 96273984 | |
| UD 24L50-730 WSC-A PR CL1 6M MTP60-T | 7.50 | 96272832 | UD24L503KPWCAPT |
| UD 24L50-730 WSC-A PR CL1 6M MTP76-L | 7.85 | 96273988 | |
| UD 24L50-740 WSC-A PR CL1 6M MTP60-L | 7.50 | 96273986 | |
| UD 24L50-740 WSC-A PR CL1 6M MTP60-T | 7.50 | 96273042 | UD24L504KPWCAPT |
| UD 24L50-740 WSC-A PR CL1 6M MTP76-L | 7.85 | 96273990 | |

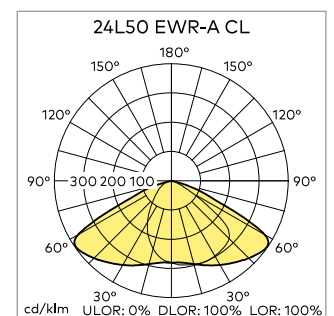
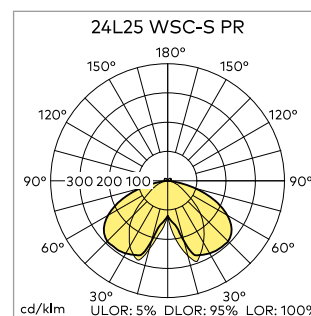
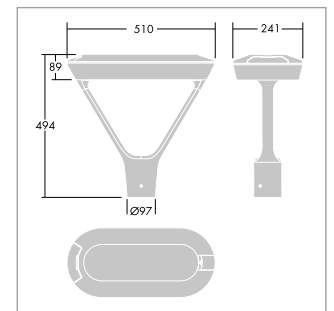
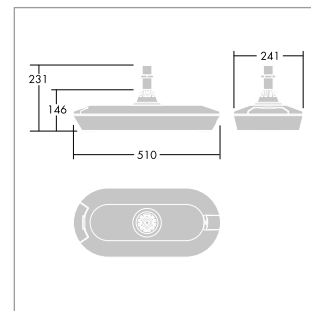
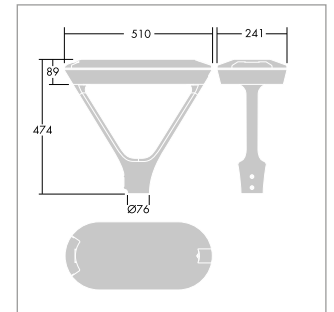
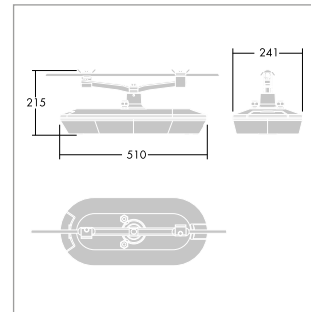
| Description | Wt (kg) | SAP Code | Cat. No. |
|--|---------|----------|-----------------|
| Urba Deco, MTP 500mA, Extra wide street comfort, symmetrical optic | | | |
| UD 48L50-730 EWSC-S CL CL1 6M MTP60-T | 7.50 | 96272816 | UD48L503KCWCSP |
| UD 48L50-740 EWSC-S CL CL1 6M MTP60-T | 7.50 | 96273026 | UD48L504KCWCSP |
| Urba Deco, MTP 500mA, Extra wide street comfort, asymmetrical optic | | | |
| UD 48L50-730 EWSC-A CL CL1 6M MTP60-T | 7.50 | 96272817 | UD48L503KCWCAPT |
| UD 48L50-740 EWSC-A CL CL1 6M MTP60-T | 7.50 | 96273027 | UD48L504KCWCAPT |
| Urba Deco, MTP 500mA, Extra wide road, symmetric optic | | | |
| UD 24L50-730 EWR-S CL CL1 6M MTP60-T | 7.50 | 96272818 | UD24L503KCXRSP |
| Urba Deco, MTP 500mA, Extra wide road, asymmetric optic | | | |
| UD 24L50-730 EWR-A CL CL1 6M MTP60-T | 7.50 | 96272819 | UD24L503KCXRAPT |
| UD 24L50-740 EWR-A CL CL1 6M MTP60-T | 7.50 | 96273029 | UD24L504KCXRAPT |
| Urba Deco, MTP 350mA, Street comfort, symmetric optic | | | |
| UD 48L35-730 SC-S CL CL1 6M MTP60-T | 7.50 | 96272824 | UD48L353KCSCSP |
| UD 48L35-740 SC-S CL CL1 6M MTP60-T | 7.00 | 96273034 | UD48L354KCSCSP |
| Urba Deco, MTP 500mA, Street comfort, symmetric optic | | | |
| UD 24L50-730 SC-S CL CL1 6M MTP60-T | 7.50 | 96272822 | UD24L503KCSCSP |
| UD 24L50-740 SC-S CL CL1 6M MTP60-T | 7.50 | 96273032 | UD24L504KCSCSP |
| Urba Deco, MTP 350mA, Street comfort, asymmetric optic | | | |
| UD 48L35-730 SC-A CL CL1 6M MTP60-T | 7.50 | 96272825 | UD48L353KCSCAPT |
| UD 48L35-740 SC-A CL CL1 6M MTP60-T | 7.50 | 96273035 | UD48L354KCSCAPT |
| Urba Deco, MTP 500mA, Street comfort, asymmetric optic | | | |
| UD 24L50-730 SC-A CL CL1 6M MTP60-T | 7.50 | 96272823 | UD24L503KCSCAPT |
| UD 24L50-740 SC-A CL CL1 6M MTP60-T | 7.50 | 96273033 | UD24L504KCSCAPT |
| Urba Deco, MSU 250mA, Pedestrian walkway and cycle path, asymmetrical optic | | | |
| UD 24L25-730 PWC-A CL CL1 MSU-T | 6.70 | 96272855 | UD24L253KCPCAST |
| UD 24L25-740 PWC-A CL CL1 MSU-T | 6.70 | 96273069 | UD24L254KCPCAST |
| Urba Deco, MSU 500mA, Pedestrian walkway and cycle path, asymmetrical optic | | | |
| UD 24L50-730 PWC-A CL CL1 MSU-T | 6.70 | 96272857 | UD24L503KCPCAST |
| UD 24L50-740 PWC-A CL CL1 MSU-T | 6.70 | 96273071 | UD24L504KCPCAST |
| Urba Deco, MSU 500mA, Wide street, asymmetric optic | | | |
| UD 24L50-730 WS-A CL CL1 MSU-T | 6.70 | 96272861 | UD24L503KCWSAST |
| UD 24L50-740 WS-A CL CL1 MSU-T | 6.70 | 96273075 | UD24L504KCWSAST |
| Urba Deco, MSU 250mA CL, Wide street comfort, asymmetrical optic | | | |
| UD 24L25-730 WSC-A CL CL1 MSU-T | 6.70 | 96272864 | UD24L253KCWCAPT |
| UD 24L25-740 WSC-A CL CL1 MSU-T | 6.70 | 96273078 | UD24L254KCWCAPT |
| Urba Deco, MSU 250mA PR, Wide street comfort, asymmetrical optic | | | |
| UD 24L25-730 WSC-A PR CL1 MSU-T | 6.70 | 96272879 | UD24L253KPWCAST |
| UD 24L25-740 WSC-A PR CL1 MSU-T | 6.70 | 96273093 | UD24L254KPWCAST |



www.thornlighting.co.uk/URBD
www.thornlighting.ie/URBD

| Description | Wt (kg) | SAP Code | Cat. No. |
|--|---------|----------|-----------------|
| Urba Deco, MSU 350mA PR, Wide street comfort, asymmetrical optic | | | |
| UD 48L35-730 WSC-A PR CL1 MSU-T | 6.70 | 96272881 | UD48L353KPWCAST |
| UD 48L35-740 WSC-A PR CL1 MSU-T | 6.70 | 96273095 | UD48L354KPWCAST |
| Urba Deco, MSU 500mA PR, Wide street comfort, asymmetrical optic | | | |
| UD 24L50-730 WSC-A PR CL1 MSU-T | 6.70 | 96272880 | UD24L503KPWCAST |
| UD 24L50-740 WSC-A PR CL1 MSU-T | 6.70 | 96273094 | UD24L504KPWCAST |
| Urba Deco, MSU 500mA, Extra wide street comfort, asymmetrical optic | | | |
| UD 48L50-730 EWSC-A CL CL1 MSU-T | 6.70 | 96272869 | UD48L503KCWCAST |
| UD 48L50-740 EWSC-A CL CL1 MSU-T | 6.70 | 96273083 | UD48L504KCWCAST |
| Urba Deco, MSU 500mA, Extra wide road, asymmetric optic | | | |
| UD 24L50-730 EWR-A CL CL1 MSU-T | 6.70 | 96272871 | UD24L503KCXRAST |
| UD 24L50-740 EWR-A CL CL1 MSU-T | 6.70 | 96273085 | UD24L504KCXRAST |
| Urba Deco, MSU 500mA, Street comfort, asymmetric optic | | | |
| UD 24L50-730 SC-A CL CL1 MSU-T | 6.70 | 96272875 | UD24L503KCSAST |
| UD 24L50-740 SC-A CL CL1 MSU-T | 6.70 | 96273089 | UD24L504KCSAST |
| Urba Deco, MCA 500mA, Narrow road, symmetric optic | | | |
| UD 24L50-730 NR-S CL CL1 MCA-T | 7.00 | 96272882 | UD24L503KCNRSAT |
| UD 24L50-740 NR-S CL CL1 MCA-T | 7.00 | 96273096 | UD24L504KCNRSAT |
| UD 48L50-730 NR-S CL CL1 MCA-T | 7.00 | 96272883 | UD48L503KCNRSAT |
| UD 48L50-740 NR-S CL CL1 MCA-T | 7.00 | 96273097 | UD48L504KCNRSAT |

To make reading our ordering guides easier please use the SAP description key fold out, inside the back cover. For more information please visit our website www.thornlighting.co.uk and simply search for our products.





Avenue

D² LED



www.thornlighting.co.uk/AVD2
www.thornlighting.ie/AVD2



An elegant and efficient LED lantern with a prismatic enclosure to prevent glare and provide a unique, comfortable light



- Choice between asymmetrical and symmetrical light distribution
- Low cost of ownership with a lifetime of 100,000 hours (25°C, L70) and a Bi-power switch as standard
- Complete family with coordinated column, bollard and wall versions
- From 93 up to 106lm/W

MATERIALS/FINISH

Base and arms: die cast aluminium.

Canopy: spun aluminium.

Finish: powder coated dark sandy grey 900 (close to RAL 7043).

Lampshiled: metallised PC with copper or stainless steel, special varnish to prevent ageing effect and preserve the initial gloss appearance.

Diffuser: clear UV stabilised PC with anti glare prisms.

Reflector and mirrors (street distribution): high reflective anodised aluminium.

Screw fixings: stainless steel.

INSTALLATION/MOUNTING

Suitable for post top mounting.

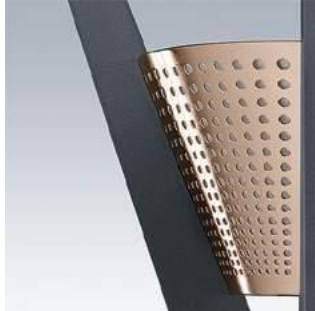
Recommended height: 3/4m, coordinated 3m Avenue conical column made of aluminium. Spigot: 60mm (length: 90mm). Access to gear and LED module (replaceable) via 4 screws from the canopy.

Product supplied with connector below the lantern or pre-wired with 4m cable HO5 RN-F. Delivered ready to install, complete with factory fitted integral gear, all supplied in one box.

SPECIFICATION

To specify state:

IP66 post top decorative aluminium lantern with 21-40W LED packages, powder coated dark grey finish, with prismatic diffuser and a choice of metallised PC copper or stainless steel lampshields. Street or symmetrical distributions, integrated dimming system and coordinated decorative column. As Thorn Avenue D² LED.



Copper effect lampshield



Bi-power switch



Stainless steel effect lampshield



Prismatic diffuser

LAMPS

LED

21-40W

STANDARDS



EN 60598

IP66

IK08

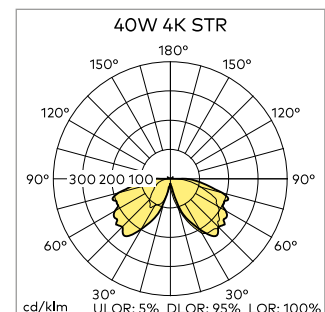
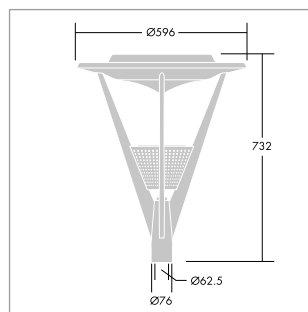
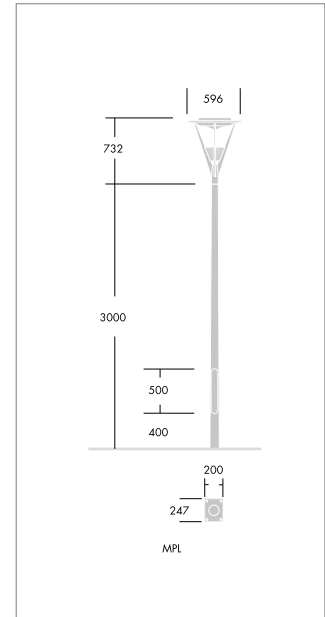
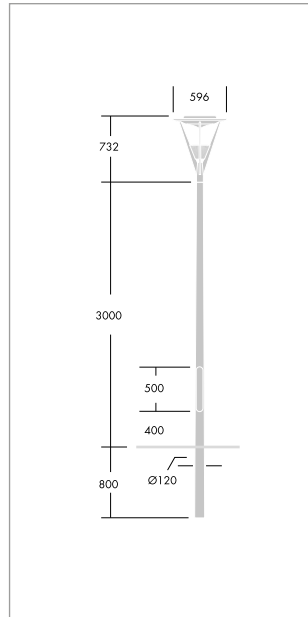


ORDERING GUIDE

Supplied complete with LEDs

| Description | Wt (kg) | SAP Code | Cat. No. |
|--|---------|----------|--------------|
| Avenue D² LED Symmetrical optic, copper lampshield | | | |
| AVN D2 18L35 R/S BPSW CL1 D60 L740 CU | 8.60 | 96261392 | AUD24K20B8RC |
| AVN D2 18L50 R/S BPSW CL1 D60 L740 CU | 8.60 | 96261393 | AUD24K30B8RC |
| AVN D2 18L70 R/S BPSW CL1 D60 L740 CU | 8.60 | 96261394 | AUD24K40B8RC |
| Avenue D² LED Symmetrical optic, stainless steel lampshield | | | |
| AVN D2 18L35 R/S BPSW CL1 D60 L740 RS | 8.60 | 96261395 | AUD24K20B8RS |
| AVN D2 18L50 R/S BPSW CL1 D60 L740 RS | 8.60 | 96261396 | AUD24K30B8RS |
| AVN D2 18L70 R/S BPSW CL1 D60 L740 RS | 8.60 | 96261397 | AUD24K40B8RS |
| Avenue D² LED Asymmetrical (street) optic, copper lampshield | | | |
| AVN D2 18L35 WST BPSW CL1 D60 L740 CU | 8.60 | 96261398 | AUD24K20B8SC |
| AVN D2 18L50 WST BPSW CL1 D60 L740 CU | 8.60 | 96261399 | AUD24K30B8SC |
| AVN D2 18L70 WST BPSW CL1 D60 L740 CU | 8.60 | 96261400 | AUD24K40B8SC |
| Avenue D² LED Asymmetrical (street) optic, stainless steel lampshield | | | |
| AVN D2 18L35 WST BPSW CL1 D60 L740 RS | 8.60 | 96261401 | AUD24K20B8SS |
| AVN D2 18L50 WST BPSW CL1 D60 L740 RS | 8.60 | 96261402 | AUD24K30B8SS |
| AVN D2 18L70 WST BPSW CL1 D60 L740 RS | 8.60 | 96261403 | AUD24K40B8SS |
| Avenue D² LED Accessories | | | |
| AVENUE D BRA MWA TX ANT | 4.00 | 96005422 | J136825 |

To make reading our ordering guides easier please use the SAP description key fold out, inside the back cover. For more information please visit our website www.thornlighting.co.uk and simply search for our products.



Avenue

F2 LED



www.thornlighting.co.uk/AVFL
www.thornlighting.ie/AVFL

Post top lantern with prismatic crown for reduced glare and distinctive appearance



- State of the art LED system providing comfort, performance and unique light signature
- Choice between asymmetrical and symmetrical light distribution
- Standard dimming to optimise energy consumption
- Complete family with coordinated columns and wall version
- From 88 up to 95lm/W

MATERIALS/FINISH

Base and arms: die cast aluminium (LM6)
Canopy: spun aluminium
Finish: powder coated dark sandy grey 900 (close to RAL7043) for external parts, white RAL9016 for inner parts
Diffuser: clear UV stabilised PC
Mirrors (street distribution): high reflective anodised aluminium
Screw fixings: stainless steel

INSTALLATION/MOUNTING

Post top mounting, spigot Ø60mm (length: 75mm). Recommended height: 3/4m. Dedicated range of columns and brackets. Access to LEDs and gear via 3 screws below the bowl. Pre-wired versions available with connector or 4m HO5 VVF cable. Delivered ready to install, complete with factory fitted integral gear, all supplied in one carton.

SPECIFICATION

To specify state:
IP66 post top decorative lantern with 21-40W LED, powder coated dark grey finish, with street or symmetrical optics, integrated dimming system and coordinated decorative columns.
As Thorn Avenue F2 LED.



LAMPS

LED

21-42W

STANDARDS



EN 60598

IP66

IK08

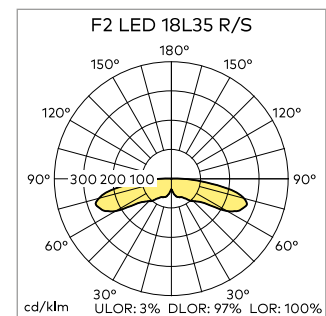
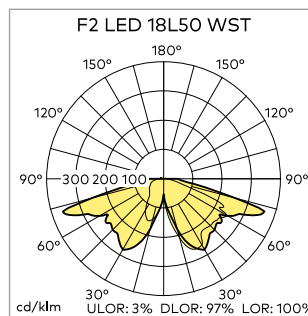
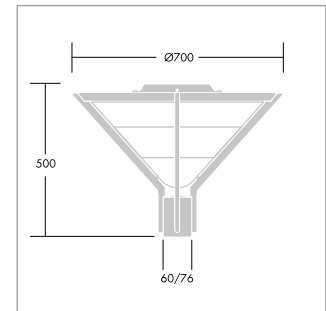


ORDERING GUIDE

Supplied complete with LEDs

| Description | Wt (kg) | SAP Code | Cat. No. |
|---|---------|----------|-------------|
| Avenue F2 LED with power reduction | | | |
| AVN F2 LED 18L35 R/S BPSW CL1 D60 L730 | 9.00 | 96265462 | |
| AVN F2 LED 18L35 R/S BPSW CL1 D60 L740 | 9.00 | 96260128 | |
| AVN F2 LED 18L35 R/S BPSW CL1 D76 L730 | 9.00 | 96265465 | |
| AVN F2 LED 18L50 R/S BPSW CL1 D60 L730 | 9.00 | 96265461 | |
| AVN F2 LED 18L50 R/S BPSW CL1 D60 L740 | 9.00 | 96260127 | AUF30B860 |
| AVN F2 LED 18L50 R/S BPSW CL1 D76 L730 | 9.00 | 96265466 | |
| AVN F2 LED 18L70 R/S BPSW C1 PM D76 L730 | 9.10 | 96265444 | |
| AVN F2 LED 18L70 R/S BPSW CL1 D60 L730 | 9.05 | 96265447 | |
| AVN F2 LED 18L70 R/S BPSW CL1 D60 L740 | 9.00 | 96260059 | AUF40B860 |
| AVN F2 LED 18L70 R/S BPSW CL1 D76 L730 | 9.10 | 96265443 | |
| AVN F2 LED 18L70 R/S BPSW CL1 D76 L740 | 9.10 | 96260021 | AUF40B876 |
| AVN F2 LED 18L70 R/S BPSW CL1 PM D76L740 | 9.10 | 96260022 | AUF40B8M76 |
| Avenue F2 LED with power reduction, street optic | | | |
| AVN F2 LED 18L35 WST BPSW CL1 D60 L730 | 9.30 | 96265463 | |
| AVN F2 LED 18L35 WST BPSW CL1 D60 L740 | 9.30 | 96260231 | |
| AVN F2 LED 18L50 WST BPSW CL1 D60 L730 | 9.30 | 96265464 | |
| AVN F2 LED 18L50 WST BPSW CL1 D60 L740 | 9.30 | 96260232 | |
| AVN F2 LED 18L70 WST BPSW CL1 D60 L730 | 9.30 | 96265454 | |
| AVN F2 LED 18L70 WST BPSW CL1 D60 L740 | 9.30 | 96260096 | |
| AVN F2 LED 18L70 WST BPSW CL1 D76 L730 | 9.20 | 96265445 | |
| AVN F2 LED 18L70 WST BPSW CL1 D76 L740 | 9.20 | 96260033 | AUF40B8S76 |
| AVN F2 LED 18L70 WST BPSW CL1 PM D76L730 | 9.30 | 96265446 | |
| AVN F2 LED 18L70 WST CL1 PM D76 L740 | 9.30 | 96260034 | AUF40B8MS76 |

To make reading our ordering guides easier please use the SAP description key fold out, inside the back cover. For more information please visit our website www.thornlighting.co.uk and simply search for our products.



Legend

A modern heritage LED post-top or suspended lantern upgraded with high performance light engines



www.thornlighting.co.uk/LGNC
www.thornlighting.ie/LGNC



Lit top effect possible on post top variant



- Beautiful aesthetics with the post top and suspended versions now almost identical for consistency
- Available with LEDs (3800/5000lm) for retrofits and more CPO versions
- Compatible with Bi power, DALI and Telea, providing advanced dimming and control to reduce energy consumption
- The post top lantern is now D60 as standard and available with or without an illuminated top cap
- From 108 up to 115lm/W

MATERIALS/FINISH

Body: die-cast aluminium, powder coated grey 900 textured finish (close to RAL 7043)
Enclosure: flat toughened glass
Reflector: highly reflective anodised aluminium

INSTALLATION/MOUNTING

Post-top mounted (MTP) version on shaft through 3xM8 stainless steel screws on poles with D60mm x 100mm spigot. Suspended (MSU) version fixed through with a 34G threaded tube. Recommended mounting heights: 4 to 6m.

SPECIFICATION

To specify state:
Post-top or suspended 4 arm lantern in die-cast aluminium painted in dark grey, flat toughened glass, with aluminium reflector embodied in an IP65 compartment. Decorative light emission on the top of the lantern/ ULOR 0.
As Thorn Legend.



Suspended version



LAMPS

LED

58-84W

STANDARDS

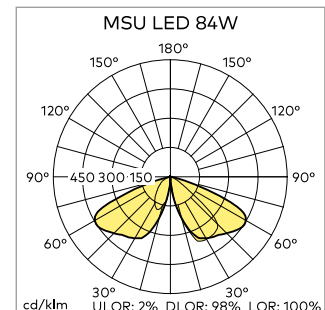
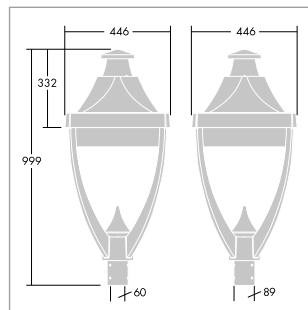
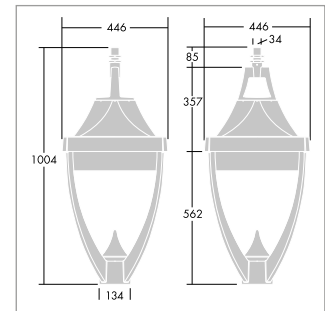
CE EN 60598 IP65 IK08

ORDERING GUIDE

All LED version supplied with LEDs. All HID versions supplied complete with lamps.

| Description | Wt (kg) | SAP Code | Cat. No. |
|---|---------|----------|-------------|
| Legend Suspended, LED | | | |
| LEG MSU LED 36L50 RC 730 BP PM CL1 D34G | 16.50 | 96262561 | LG3K58B8M |
| LEG MSU LED 36L50 RC 740 BP PM CL1 D34G | 16.50 | 96262560 | LG4K58B8M |
| LEGEND MSU LED 36L50 RC 730 BP CL1 D34G | 16.50 | 96262559 | LG3K58B8 |
| LEGEND MSU LED 36L50 RC 730 CL1 D34G | 16.50 | 96262557 | LG3K58 |
| LEGEND MSU LED 36L50 RC 740 BP CL1 D34G | 16.50 | 96262558 | LG4K58B8 |
| LEGEND MSU LED 36L50 RC 740 CL1 D34G | 16.50 | 96262556 | LG4K58 |
| LEG MSU LED 36L70 RC 730 BP PM CL1 D34G | 16.50 | 96262567 | LG3K84B8M |
| LEG MSU LED 36L70 RC 740 BP PM CL1 D34G | 16.50 | 96262566 | LG4K84B8M |
| LEGEND MSU LED 36L70 RC 730 BP CL1 D34G | 16.50 | 96262565 | LG3K84B8 |
| LEGEND MSU LED 36L70 RC 730 CL1 D34G | 16.50 | 96262563 | LG3K84 |
| LEGEND MSU LED 36L70 RC 740 BP CL1 D34G | 16.50 | 96262564 | LG4K84B8 |
| LEGEND MSU LED 36L70 RC 740 CL1 D34G | 16.50 | 96262562 | LG4K84 |
| Legend Post top, closed optic, LED | | | |
| LEG MTP LED 36L50 RC 730 BP PM CL1 D60 | 17.50 | 96262578 | LG3K58B8MPT |
| LEG MTP LED 36L50 RC 740 BP PM CL1 D60 | 17.50 | 96262579 | LG4K58B8MPT |
| LEGEND MTP LED 36L50 RC 730 BP CL1 D60 | 17.50 | 96262576 | LG3K58B8PT |
| LEGEND MTP LED 36L50 RC 740 BP CL1 D60 | 17.50 | 96262577 | LG4K58B8PT |
| LEG MTP LED 36L70 RC 730 BP PM CL1 D60 | 17.50 | 96262582 | LG3K84B8MPT |
| LEG MTP LED 36L70 RC 740 BP PM CL1 D60 | 17.50 | 96262583 | LG4K84B8MPT |
| LEGEND MTP LED 36L70 RC 730 BP CL1 D60 | 17.50 | 96262580 | LG3K84B8PT |
| LEGEND MTP LED 36L70 RC 740 BP CL1 D60 | 17.50 | 96262581 | LG4K84B8PT |
| Legend LED retrofits, closed optic | | | |
| LEGEND GT LED 36L50 RC 730 BP CL1 | 3.10 | 96262736 | LG3K58GTBP |
| LEGEND GT LED 36L50 RC 730 CL1 | 3.10 | 96262732 | LG3K58GT |
| LEGEND GT LED 36L50 RC 740 BP CL1 | 3.10 | 96262735 | LG4K58GTBP |
| LEGEND GT LED 36L50 RC 740 CL1 | 3.10 | 96262731 | LG4K58GT |
| LEGEND GT LED 36L70 RC 730 BP CL1 | 3.10 | 96262738 | LG3K84GTBP |
| LEGEND GT LED 36L70 RC 730 CL1 | 3.10 | 96262734 | LG3K84GT |
| LEGEND GT LED 36L70 RC 740 BP CL1 | 3.10 | 96262737 | LG4K84GTBP |
| LEGEND GT LED 36L70 RC 740 CL1 | 3.10 | 96262733 | LG4K84GT |

To make reading our ordering guides easier please use the SAP description key fold out, inside the back cover. For more information please visit our website www.thornlighting.co.uk and simply search for our products.



Plurio

LED



www.thornlighting.co.uk/PLRL
www.thornlighting.ie/PLRL



Post top LED lanterns combining high performance with obtrusive light avoidance; ideal for residential and urban areas



- Outstanding performance and efficiency for renovation of urban and residential areas: up to 86% energy savings vs former solutions!
- No obtrusive light thus preserving the nightscape and the intimacy of inhabitants (ULOR 0% + Street distribution)
- Low cost of ownership: lifetime 100,000h (25°C, L70), integrated dimming (activated by a simple switch by the installer) for further energy savings, easy installation and maintenance
- From 80 up to 102lm/W

MATERIALS/FINISH

Base and canopy: aluminium (LM6) powder coated silver grey 150 textured (close to RAL 9006) with dark sandy grey 900 (close to RAL 7043) on bicolour version
Diffuser: clear UV stabilized polycarbonate with anti glare prisms on the outer part
Internal reflector and cable pipe: white highly reflective ABS (plastic)
Mirrors (asymmetrical version): high reflective anodised aluminium
Screw fixings: stainless steel

INSTALLATION/MOUNTING

Post top mounting
Spigot: 76mm (length: 100mm)
Recommended height: 3-4m
Dedicated range of columns and brackets
Access to LEDs and gear via 3 screws below the bowl
Pre-wired versions available with 4m cable (H05VVF2x1.5)
Internal switch to activate power reduction
Delivered in one carton ready to install, complete with factory fitted integral gear.

SPECIFICATION

To specify lantern state:
IP66 post top decorative aluminium LED lantern with 21-60W LED packages, ULOR 0%, powder coated silver grey finish, with street or symmetrical optics and integrated dimming system with internal switch.
As Thorn Plurio LED.



LAMPS

 LED

21-60W

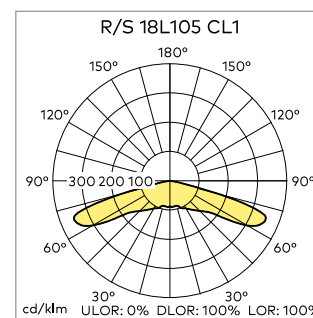
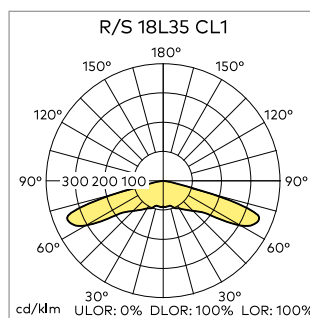
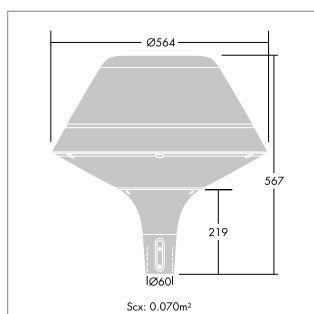
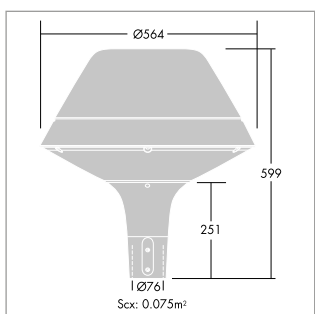
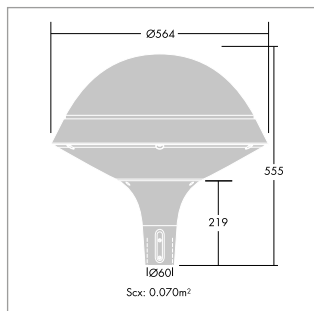
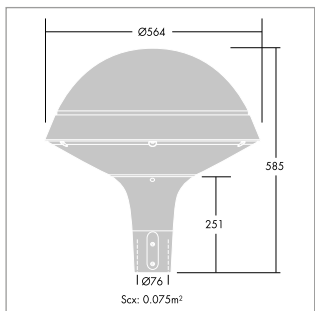
STANDARDS



EN 60598

IP66

IK08





www.thornlighting.co.uk/PLRL
www.thornlighting.ie/PLRL

ORDERING GUIDE

Supplied complete with LEDs.

| Description | Wt (kg) | SAP Code | Cat. No. |
|--|---------|----------|------------|
| Plurio LED Symmetrical optic, original canopy | | | |
| PLU O LED 18L35 R/S BP CL1 D60 L730 | 7.20 | 96265497 | |
| PLU O LED 18L35 R/S BP CL1 D76 L730 | 7.50 | 96265498 | |
| PLU O LED 18L35 R/S BPSW CL1 D60 L740 | 7.20 | 96260708 | PL20B860 |
| PLU O LED 18L35 R/S BPSW CL1 D76 L740 | 7.50 | 96260709 | PL20B876 |
| PLU O LED 18L50 R/S BP CL1 D60 L730 | 7.20 | 96265511 | |
| PLU O LED 18L50 R/S BP CL1 D76 L730 | 7.50 | 96265512 | |
| PLU O LED 18L50 R/S BPSW CL1 D60 L740 | 7.20 | 96260722 | PL30B860 |
| PLU O LED 18L50 R/S BPSW CL1 D76 L740 | 7.50 | 96260723 | PL30B876 |
| PLU O LED 18L70 R/S BP CL1 D60 L730 | 7.20 | 96265469 | |
| PLU O LED 18L70 R/S BP CL1 D76 L730 | 9.80 | 96265471 | |
| PLU O LED 18L70 R/S BP CL1 SIL D60 L730 | 7.20 | 96265858 | |
| PLU O LED 18L70 R/S BPSW CL1 D60 L740 | 7.20 | 96260674 | PL40B860 |
| PLU O LED 18L70 R/S BPSW CL1 D76 L740 | 9.80 | 96260676 | PL40B876 |
| PLU O 18L105 R/S BPSW CL1 D60 L730 | 7.80 | 96272420 | PL63603K |
| PLU O 18L105 R/S BPSW CL1 D60 L740 | 7.80 | 96272421 | PL63604K |
| PLU O 18L105 R/S BPSW CL1 D76 L730 | 8.10 | 96272422 | PL63763K |
| PLU O 18L105 R/S BPSW CL1 D76 L740 | 8.10 | 96272424 | PL63764K |
| PLU O 18L105 R/S BPSW CL1 GRY D60 L730 | 7.80 | 96272427 | PL6376S3K |
| Plurio LED Symmetrical optic, original bi-colour canopy | | | |
| PLU O LED 18L70 R/S BP CL1 D76 L730 S/G | 7.50 | 96265860 | |
| PLU O LED 18L70 R/S BPSW CL1 D76 L740 S/ | 7.50 | 96260684 | PL40B876S |
| PLU O LED 18L70 R/S BPSW CL1 S/G D60 L74 | 7.20 | 96260682 | PL40B860S |
| PLU O 18L105 R/S BPSW CL1 D76 L730 S/G | 8.10 | 96272423 | PL6360S3K |
| PLU O 18L105 R/S BPSW CL1 D76 L740 S/G | 8.10 | 96272425 | PL6360S4K |
| PLU O 18L105 R/S BPSW CL1 S/G D60 L740 | 7.80 | 96272426 | PL6376S4K |
| Plurio LED Symmetrical optic, round canopy | | | |
| PLU R LED 18L35 R/S BP CL1 D76 L730 | 7.50 | 96265505 | |
| PLU R LED 18L35 R/S BPSW CL1 D76 L740 | 7.50 | 96260716 | PL20RB876 |
| PLU R LED 18L50 R/S BP CL1 D76 L730 | 7.50 | 96265519 | |
| PLU R LED 18L50 R/S BPSW CL1 D76 L740 | 7.50 | 96260730 | PL30RB876 |
| PLU R LED 18L70 R/S BP CL1 D60 L730 | 7.20 | 96265485 | |
| PLU R LED 18L70 R/S BP CL1 D76 L730 | 7.50 | 96265487 | |
| PLU R LED 18L70 R/S BPSW CL1 D60 L740 | 7.20 | 96260690 | PL40RB860 |
| PLU R LED 18L70 R/S BPSW CL1 D76 L740 | 7.50 | 96260698 | PL40RB876 |
| PLU R 18L105 R/S BPSW CL1 D60 L730 | 7.80 | 96272439 | PL63R603K |
| PLU R 18L105 R/S BPSW CL1 D60 L740 | 7.80 | 96272440 | PL63R604K |
| PLU R 18L105 R/S BPSW CL1 D76 L730 | 8.10 | 96272441 | PL63R763K |
| PLU R 18L105 R/S BPSW CL1 D76 L740 | 8.10 | 96272442 | PL63R764K |
| Plurio LED Street optic, original canopy | | | |
| PLU O LED 18L35 WST BP CL1 D76 L730 | 7.50 | 96265499 | |
| PLU O LED 18L35 WST BPSW CL1 D76 L740 | 7.50 | 96260710 | PL20B8S76 |
| PLU O LED 18L50 WST BP CL1 D76 L730 | 7.50 | 96265513 | |
| PLU O LED 18L50 WST BPSW CL1 D76 L740 | 7.50 | 96260724 | PL30B8S76 |
| PLU O LED 18L70 WST BP CL1 D60 L730 | 7.20 | 96265470 | |
| PLU O LED 18L70 WST BP CL1 D76 L730 | 7.50 | 96265472 | |
| PLU O LED 18L70 WST BP CL1 SIL D60 L730 | 7.20 | 96265859 | |
| PLU O LED 18L70 WST BPSW CL1 D60 L740 | 7.20 | 96260675 | PL40B8S60 |
| PLU O LED 18L70 WST BPSW CL1 D76 L740 | 7.50 | 96260677 | PL40B8S76 |
| PLU O 18L105 NST BPSW CL1 D60 L730 | 7.80 | 96272352 | PLN63603K |
| PLU O 18L105 NST BPSW CL1 D60 L740 | 7.80 | 96272353 | PLN63604K |
| PLU O 18L105 NST BPSW CL1 D76 L730 | 8.10 | 96272354 | PLN63763K |
| PLU O 18L105 NST BPSW CL1 D76 L740 | 8.10 | 96272356 | PLN63764K |
| PLU O 18L105 NST BPSW CL1 SIL D60 L730 | 7.80 | 96272359 | PLN6360S3K |
| PLU O 18L105 WST BPSW CL1 D60 L730 | 7.80 | 96272381 | PLW63603K |
| PLU O 18L105 WST BPSW CL1 D60 L740 | 7.80 | 96272392 | PLW63604K |
| PLU O 18L105 WST BPSW CL1 D76 L730 | 8.10 | 96272393 | PLW63763K |
| PLU O 18L105 WST BPSW CL1 D76 L740 | 8.10 | 96272395 | PLW63764K |
| PLU O 18L105 WST BPSW CL1 GRY D60 L730 | 7.80 | 96272398 | PLW6376S3K |

Post top LED lanterns combining high performance with obtrusive light avoidance; ideal for residential and urban areas

| Description | Wt (kg) | SAP Code | Cat. No. |
|---|---------|----------|------------|
| Plurio LED Street optic, original bi-colour canopy | | | |
| PLU O LED 18L70 WST BP CL1 D76 L730 S/G | 7.50 | 96265861 | |
| PLU O LED 18L70 WST BPSW CL1 D76 L740 S/ | 7.50 | 96260685 | PL40B8S76S |
| PLU O LED 18L70 WST BPSW CL1 S/G D60 L74 | 7.20 | 96260683 | PL40B8S60S |
| PLU O 18L105 NST BPSW CL1 D76 L730 S/G | 8.10 | 96272355 | PLN6376S3K |
| PLU O 18L105 NST BPSW CL1 D76 L740 S/G | 8.10 | 96272357 | PLN6376S4K |
| PLU O 18L105 NST BPSW CL1 S/G D60 L740 | 7.80 | 96272358 | PLN6360S4K |
| PLU O 18L105 WST BPSW CL1 D76 L730 S/G | 8.10 | 96272394 | PLW6360S3K |
| PLU O 18L105 WST BPSW CL1 D76 L740 S/G | 8.10 | 96272396 | PLW6360S4K |
| PLU O 18L105 WST BPSW CL1 S/G D60 L740 | 7.80 | 96272397 | PLW6376S4K |
| Plurio LED Street optic, round canopy | | | |
| PLU R LED 18L35 WST BP CL1 D60 L730 | 7.20 | 96265504 | |
| PLU R LED 18L35 WST BP CL1 D76 L730 | 7.50 | 96265506 | |
| PLU R LED 18L35 WST BPSW CL1 D60 L740 | 7.20 | 96260715 | PL20RB8S60 |
| PLU R LED 18L35 WST BPSW CL1 D76 L740 | 7.50 | 96260717 | PL20RB8S76 |
| PLU R LED 18L50 WST BP CL1 D60 L730 | 7.20 | 96265518 | |
| PLU R LED 18L50 WST BP CL1 D76 L730 | 7.50 | 96265520 | |
| PLU R LED 18L50 WST BPSW CL1 D60 L740 | 7.20 | 96260729 | PL30RB8S60 |
| PLU R LED 18L50 WST BPSW CL1 D76 L740 | 7.50 | 96260731 | PL30RB8S76 |
| PLU R LED 18L70 WST BP CL1 D60 L730 | 7.20 | 96265486 | |
| PLU R LED 18L70 WST BP CL1 D76 L730 | 7.50 | 96265488 | |
| PLU R LED 18L70 WST BPSW CL1 D60 L740 | 7.20 | 96260691 | PL40RB8S60 |
| PLU R LED 18L70 WST BPSW CL1 D76 L740 | 7.50 | 96260699 | PL40RB8S76 |
| PLU R 18L105 NST BPSW CL1 D60 L730 | 7.80 | 96272371 | PLN63R603K |
| PLU R 18L105 NST BPSW CL1 D60 L740 | 7.80 | 96272372 | PLN63R604K |
| PLU R 18L105 NST BPSW CL1 D76 L730 | 8.10 | 96272373 | PLN63R763K |
| PLU R 18L105 NST BPSW CL1 D76 L740 | 8.10 | 96272374 | PLN63R764K |
| PLU R 18L105 WST BPSW CL1 D60 L730 | 7.80 | 96272410 | PLW63R603K |
| PLU R 18L105 WST BPSW CL1 D60 L740 | 7.80 | 96272411 | PLW63R604K |
| PLU R 18L105 WST BPSW CL1 D76 L730 | 8.10 | 96272412 | PLW63R763K |
| PLU R 18L105 WST BPSW CL1 D76 L740 | 8.10 | 96272413 | PLW63R764K |

To make reading our ordering guides easier please use the SAP description key fold out, inside the back cover. For more information please visit our website www.thornlighting.co.uk and simply search for our products.





www.thornlighting.co.uk/FLEX
www.thornlighting.ie/FLEX



Discreet and versatile LED lantern with a fast return on investment for city space lighting



- Modern, discreet and versatile post top LED lantern which is easy to integrate into the cityscape and residential areas
- 100 000 hour maintenance free lifetime for fast return on investment and low total cost of ownership
- LED light source, dedicated optics and integrated Bi-power dimming for energy savings. Compatible with DALI, 1-10V, RF, Power Line, Micicell, Nema, Presence Detection
- Two enclosures: clear for optimised performance and diffuse for optimised comfort
- From 80 up to 100lm/W

MATERIALS/FINISH

Canopy and base: die cast aluminium (EN AC-46100), powder coated dark grey (close to RAL 7043) or light grey (close to RAL 9006) finish Flat enclosures: clear UV stabilised polycarbonate diffuser

INSTALLATION/MOUNTING

Recommended mounting height: 3 to 6m
 Distribution: clear glass: symmetric or asymmetric (street optic) and diffuser: radial symmetric
 Post top mounting on spigot/ columns Ø60mm or Ø76mm.
 Internal height of base 75mm
 5m pre-wired version available
 Connector version supplied with 1m wire and connector

SPECIFICATION

To specify state:
 Modern and discreet urban lantern with 100 000 hour lifetime.
 As Thorn FleXity.

ORDERING GUIDE

Supplied complete with LEDs

| Description | Wt (kg) | SAP Code |
|---|---------|----------|
| FleXity 250mA diffuse - radial symmetric distribution | | |
| FLEX 24L25-730 OP CL1 W5M D76 ANT | 4.70 | 96270783 |
| FLEX 24L25-730 OP CL1 W5M D76 GY | 4.70 | 96642813 |
| FLEX 24L25-740 OP CL1 W5M D76 ANT | 4.70 | 96270784 |
| FLEX 24L25-740 OP CL1 W5M D76 GY | 4.70 | 96642814 |
| FleXity 250mA clear - symmetric distribution | | |
| FLEX 24L25-730 WSC-S CL1 W5M D76 ANT | 4.70 | 96271211 |
| FLEX 24L25-730 WSC-S CL1 W5M D76 GY | 4.70 | 96642882 |
| FLEX 24L25-740 WSC-S CL1 W5M D76 ANT | 4.70 | 96271212 |
| FLEX 24L25-740 WSC-S CL1 W5M D76 GY | 4.70 | 96642883 |
| FleXity 250mA clear - asymmetric distribution (street optic) | | |
| FLEX 24L25-730 WSC-A CL1 W5M D76 ANT | 4.70 | 96271227 |
| FLEX 24L25-730 WSC-A CL1 W5M D76 GY | 4.70 | 96642890 |
| FLEX 24L25-740 WSC-A CL1 W5M D76 ANT | 4.70 | 96271228 |
| FLEX 24L25-740 WSC-A CL1 W5M D76 GY | 4.70 | 96642891 |
| FleXity 500mA clear - symmetric distribution | | |
| FLEX 24L50-730 WSC-S CL1 W5M D76 ANT | 4.70 | 96270785 |
| FLEX 24L50-730 WSC-S CL1 W5M D76 GY | 4.70 | 96642815 |
| FLEX 24L50-740 WSC-S CL1 W5M D76 ANT | 4.70 | 96270786 |
| FLEX 24L50-740 WSC-S CL1 W5M D76 GY | 4.70 | 96642816 |
| FleXity 500mA clear - symmetric distribution, bi-power | | |
| FLEX 24L50-730 WSC-S BP CL1 W5M D76 ANT | 4.70 | 96270809 |
| FLEX 24L50-730 WSC-S BP CL1 W5M D76 GY | 4.70 | 96642831 |
| FLEX 24L50-740 WSC-S BP CL1 W5M D76 ANT | 4.70 | 96270810 |
| FLEX 24L50-740 WSC-S BP CL1 W5M D76 GY | 4.70 | 96642832 |
| FleXity 500mA clear - asymmetric distribution (street optic) | | |
| FLEX 24L50-730 WSC-A CL1 W5M D76 ANT | 4.70 | 96270793 |
| FLEX 24L50-730 WSC-A CL1 W5M D76 GY | 4.70 | 96642823 |
| FLEX 24L50-740 WSC-A CL1 W5M D76 ANT | 4.70 | 96270794 |
| FLEX 24L50-740 WSC-A CL1 W5M D76 GY | 4.70 | 96642824 |

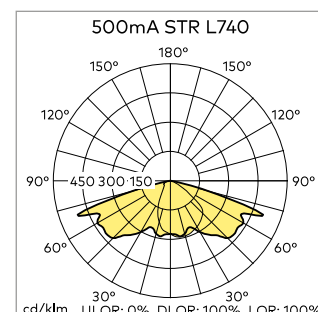
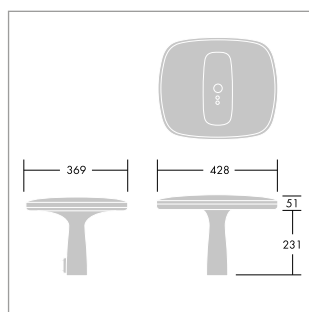


Diffuse - optimised for comfort



| Description | Wt (kg) | SAP Code |
|---|---------|----------|
| FleXity 500mA clear - asymmetric distribution (street optic), bi-power | | |
| FLEX 24L50-730 WSC-A BP CL1 W5M D76 ANT | 4.70 | 96270817 |
| FLEX 24L50-730 WSC-A BP CL1 W5M D76 GY | 4.70 | 96642839 |
| FLEX 24L50-740 WSC-A BP CL1 W5M D76 ANT | 4.70 | 96270818 |
| FLEX 24L50-740 WSC-A BP CL1 W5M D76 GY | 4.70 | 96642840 |
| FleXity 1,05A clear - symmetric distribution | | |
| FLEX 24L105-730 WSC-S CL1 W5M D76 ANT | 4.70 | 96271121 |
| FLEX 24L105-730 WSC-S CL1 W5M D76 GY | 4.70 | 96642855 |
| FLEX 24L105-740 WSC-S CL1 W5M D76 ANT | 4.70 | 96271122 |
| FLEX 24L105-740 WSC-S CL1 W5M D76 GY | 4.70 | 96642856 |
| FleXity 1,05A clear - symmetric distribution, bi-power | | |
| FLEX 24L105-730 WSC-S BP CL1 W5M D76 ANT | 4.70 | 96271119 |
| FLEX 24L105-730 WSC-S BP CL1 W5M D76 GY | 4.70 | 96642853 |
| FLEX 24L105-740 WSC-S BP CL1 W5M D76 ANT | 4.70 | 96271120 |
| FLEX 24L105-740 WSC-S BP CL1 W5M D76 GY | 4.70 | 96642854 |
| FleXity 1,05A clear - asymmetric distribution (street optic) | | |
| FLEX 24L105-730 WSC-A CL1 W5M D76 ANT | 4.70 | 96271137 |
| FLEX 24L105-730 WSC-A CL1 W5M D76 GY | 4.70 | 96642871 |
| FLEX 24L105-740 WSC-A CL1 W5M D76 ANT | 4.70 | 96271138 |
| FLEX 24L105-740 WSC-A CL1 W5M D76 GY | 4.70 | 96642872 |
| FleXity 1,05A clear - asymmetric distribution (street optic), bi-power | | |
| FLEX 24L105-730 WSC-A BP CL1 W5M D76 ANT | 4.70 | 96271135 |
| FLEX 24L105-730 WSC-A BP CL1 W5M D76 GY | 4.70 | 96642869 |
| FLEX 24L105-740 WSC-A BP CL1 W5M D76 ANT | 4.70 | 96271136 |
| FLEX 24L105-740 WSC-A BP CL1 W5M D76 GY | 4.70 | 96642870 |

To make reading our ordering guides easier please use the SAP description key fold out, inside the back cover. For more information please visit our website www.thornlighting.co.uk and simply search for our products.



LAMPS

LED

20-83W

STANDARDS



EN 60598



IP66

IK09

Gamma LED

Versatile lantern which blends effortlessly into the cityscape, offering a quick return on investment



www.thornlighting.co.uk/GAML
www.thornlighting.ie/GAML



- Simply designed post top LED lantern which is easy to integrate into cityscapes and residential areas
- 100 000 hour maintenance free lifetime for a quick return on investment and low total cost of ownership
- Wide choice of control options including, integrated Bi-power dimming for energy savings, also compatible with DALI, 1-10V, RF, Power Line, Minicell, Nema and Presence Detection
- Complete range adaptable for any market requirements
- From 100 up to 107lm/W

MATERIALS/FINISH

Canopy and base: die cast aluminium (EN AC-46100), powder coated light grey (close to RAL 9006) finish
 Enclosure: polycarbonate diffuser

INSTALLATION/MOUNTING

Suitable for post top mounting.
 Recommended mounting height: 3 to 6m
 Distribution: diffuser, radial symmetric. Post top mounting on spigot/columns Ø60mm or Ø76mm.
 Internal height of base 75mm.
 Pre-wired with 5m cable.

SPECIFICATION

To specify state:
 Simply designed and discreet urban lantern with 100 000 hour lifetime with no maintenance required.
 Control options including, integrated Bi-power dimming for energy savings, also compatible with DALI, 1-10V, RF, Power Line, Minicell, Nema and Presence Detection. Post top mounting diameters 60 or 76mm.
 As Thorn Gamma LED.

ORDERING GUIDE

| Description | Wt (kg) | SAP Code |
|--|---------|----------|
| Gamma LED 350mA diffuse, symmetric distribution | | |
| GAMMA 24L35-730 SC-S CL1 W5M D60 GY | 6.30 | 96273585 |
| GAMMA 24L35-730 SC-S CL1 W5M D76 GY | 6.40 | 96273587 |
| GAMMA 24L35-740 SC-S CL1 W5M D60 GY | 6.30 | 96273586 |
| GAMMA 24L35-740 SC-S CL1 W5M D76 GY | 6.40 | 96273588 |
| Gamma LED 350mA diffuse, symmetric distribution, bi-power | | |
| GAMMA 24L35-730 SC-S BP CL1 W5M D60 GY | 6.30 | 96273577 |
| GAMMA 24L35-730 SC-S BP CL1 W5M D76 GY | 6.40 | 96273579 |
| GAMMA 24L35-740 SC-S BP CL1 W5M D60 GY | 6.30 | 96273578 |
| GAMMA 24L35-740 SC-S BP CL1 W5M D76 GY | 6.40 | 96273580 |
| Gamma LED 700mA diffuse, symmetric distribution | | |
| GAMMA 24L70-730 SC-S CL1 W5M D60 GY | 6.30 | 96273569 |
| GAMMA 24L70-730 SC-S CL1 W5M D76 GY | 6.40 | 96273571 |
| GAMMA 24L70-740 SC-S CL1 W5M D60 GY | 6.30 | 96273570 |
| GAMMA 24L70-740 SC-S CL1 W5M D76 GY | 6.40 | 96273572 |
| Gamma LED 700mA diffuse, symmetric distribution, bi-power | | |
| GAMMA 24L70-730 SC-S BP CL1 W5M D60 GY | 6.30 | 96273561 |
| GAMMA 24L70-730 SC-S BP CL1 W5M D76 GY | 6.40 | 96273563 |
| GAMMA 24L70-740 SC-S BP CL1 W5M D60 GY | 6.30 | 96273562 |
| GAMMA 24L70-740 SC-S BP CL1 W5M D76 GY | 6.40 | 96273564 |
| Gamma LED 350mA, wide street asymmetric distribution | | |
| GAMMA 24L35-730 WS-A BP CL1 W5M D60 GY | 6.30 | 96628227 |
| GAMMA 24L35-730 WS-A BP CL1 W5M D76 GY | 6.40 | 96629248 |
| GAMMA 24L35-730 WS-A CL1 W5M D60 GY | 6.30 | 96628235 |
| GAMMA 24L35-730 WS-A CL1 W5M D76 GY | 6.40 | 96629249 |
| GAMMA 24L35-740 WS-A BP CL1 W5M D60 GY | 6.30 | 96628228 |
| GAMMA 24L35-740 WS-A BP CL1 W5M D76 GY | 6.40 | 96629250 |
| GAMMA 24L35-740 WS-A CL1 W5M D60 GY | 6.30 | 96628236 |
| GAMMA 24L35-740 WS-A CL1 W5M D76 GY | 6.40 | 96629251 |
| Gamma LED 350mA, narrow road asymmetric distribution | | |
| GAMMA 24L35-730 NR-A BP CL1 W5M D60 GY | 6.30 | 96629258 |
| GAMMA 24L35-730 NR-A BP CL1 W5M D76 GY | 6.40 | 96628229 |
| GAMMA 24L35-730 NR-A CL1 W5M D60 GY | 6.30 | 96629256 |
| GAMMA 24L35-730 NR-A CL1 W5M D76 GY | 6.40 | 96628237 |
| GAMMA 24L35-740 NR-A BP CL1 W5M D60 GY | 6.30 | 96629259 |
| GAMMA 24L35-740 NR-A BP CL1 W5M D76 GY | 6.40 | 96628230 |
| GAMMA 24L35-740 NR-A CL1 W5M D60 GY | 6.30 | 96629257 |
| GAMMA 24L35-740 NR-A CL1 W5M D76 GY | 6.40 | 96628238 |



LAMPS

 LED

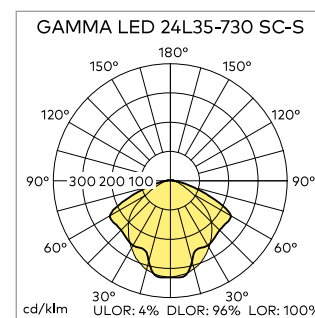
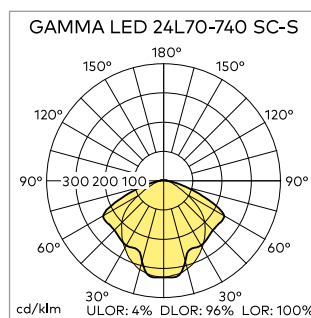
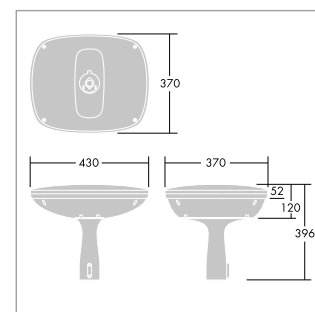
28-53W

STANDARDS

 IP66  IK10  T_a -20
+25  

| Description | Wt (kg) | SAP Code |
|---|---------|----------|
| Gamma LED 700mA, wide street asymmetric distribution | | |
| GAMMA 24L70-730 WS-A BP CL1 W5M D60 GY | 6.30 | 96628211 |
| GAMMA 24L70-730 WS-A BP CL1 W5M D76 GY | 6.40 | 96629252 |
| GAMMA 24L70-730 WS-A CL1 W5M D60 GY | 6.30 | 96628219 |
| GAMMA 24L70-730 WS-A CL1 W5M D76 GY | 6.40 | 96629253 |
| GAMMA 24L70-740 WS-A BP CL1 W5M D60 GY | 6.30 | 96628212 |
| GAMMA 24L70-740 WS-A BP CL1 W5M D76 GY | 6.40 | 96629254 |
| GAMMA 24L70-740 WS-A CL1 W5M D60 GY | 6.30 | 96628220 |
| GAMMA 24L70-740 WS-A CL1 W5M D76 GY | 6.40 | 96629255 |
| Gamma LED 700mA, narrow road asymmetric distribution | | |
| GAMMA 24L70-730 NR-A BP CL1 W5M D60 GY | 6.30 | 96629262 |
| GAMMA 24L70-730 NR-A BP CL1 W5M D76 GY | 6.40 | 96628213 |
| GAMMA 24L70-730 NR-A CL1 W5M D60 GY | 6.30 | 96629260 |
| GAMMA 24L70-730 NR-A CL1 W5M D76 GY | 6.40 | 96628221 |
| GAMMA 24L70-740 NR-A BP CL1 W5M D60 GY | 6.30 | 96629263 |
| GAMMA 24L70-740 NR-A BP CL1 W5M D76 GY | 6.40 | 96628214 |
| GAMMA 24L70-740 NR-A CL1 W5M D60 GY | 6.30 | 96629261 |
| GAMMA 24L70-740 NR-A CL1 W5M D76 GY | 6.40 | 96628222 |

To make reading our ordering guides easier please use the SAP description key fold out, inside the back cover. For more information please visit our website www.thornlighting.co.uk and simply search for our products.



Alumet

Control Direct LED



www.thornlighting.co.uk/ALUL
www.thornlighting.ie/ALUL



Combines elegance, performance,
and intelligence



- Best optical offer & efficacy
- Great integration with a fine design and appearance
- Decorative accessories are also available
- From 83 up to 118lm/W

MATERIALS/FINISH

Diffuser: clear UV stabilised PC treated with anti-graffiti varnish
 Top cap: die-cast aluminium
 Column: extruded aluminium
 Accessory: 180° decorative lampshields in aluminium. Other patterns on request
 Top/Column/Cover: powder coated textured silver grey (close to RAL 9006) Other RAL on request

INSTALLATION/MOUNTING

3 or 4m high columns, flange or root mounted (MGR or MGS) Flange: 400 x 400mm, spacings: 300 x 300mm, bolts 18 x 400 (included). Total height (with lit part of 1.25m): 4.25m or 5.25m, Diameter: 200mm. Fixing of the head and optional accessory by one single tool. Access to LED via 2 M6 screws in the top. Access to the driver and electronic tray by lifting up the PC diffuser and the bottom components cover. Pre-wired with 4m cable.

SPECIFICATION

To specify state:
 IP66 decorative lighting column with a unique design. Wide optical offer with a performance clear or a comfort prismatic variant. Post top mounting on dedicated columns. DALI, LRT, and motion detection as standard. Providing SmartCity options and offering decorative accessories.
 As Thorn Alumet Control Direct LED

ORDERING GUIDE

| Description | Wt (kg) | SAP Code | Cat. No. |
|--|---------|----------|----------|
| Alumet Control Direct LED, radial symmetric comfort optic | | | |
| ALUMET CD 18L35-730 R/S PR HFX CL1 W4M | 10.10 | 96274719 | |
| ALUMET CD 18L35-740 R/S PR HFX CL1 W4M | 10.10 | 96274721 | |
| Alumet Control Direct LED, radial symmetric comfort optic, motion detection | | | |
| ALUMET CD 18L35-730 R/S PR MAS CL1 W4M | 10.00 | 96274761 | |
| ALUMET CD 18L35-730 R/S PR SLA CL1 W4M | 9.90 | 96274767 | |
| ALUMET CD 18L35-740 R/S PR MAS CL1 W4M | 10.00 | 96274763 | |
| ALUMET CD 18L35-740 R/S PR SLA CL1 W4M | 9.90 | 96274769 | |
| Alumet Control Direct LED, radial symmetric performance optic | | | |
| ALUMET CD 18L25-730 R/S CL HFX CL1 W4M | 10.00 | 96274725 | |
| ALUMET CD 18L25-740 R/S CL HFX CL1 W4M | 10.00 | 96274727 | |
| ALUMET CD 18L50-730 R/S CL HFX CL1 W4M | 10.00 | 96274729 | |
| ALUMET CD 18L50-740 R/S CL HFX CL1 W4M | 10.00 | 96274731 | |
| Alumet Control Direct LED, narrow road asymmetric optic | | | |
| ALUMET CD 24L25-730 NR-A CL HFX CL1 W4M | 9.90 | 96274733 | |
| ALUMET CD 24L25-740 NR-A CL HFX CL1 W4M | 9.90 | 96274735 | |
| ALUMET CD 24L35-730 NR-A CL HFX CL1 W4M | 9.90 | 96274855 | |
| ALUMET CD 24L35-740 NR-A CL HFX CL1 W4M | 9.90 | 96274857 | |
| Alumet Control Direct LED, wet road symmetric optic | | | |
| ALUMET CD 24L25-730 RWETS CL HFX CL1 W4M | 9.90 | 96274765 | |
| ALUMET CD 24L25-740 RWETS CL HFX CL1 W4M | 9.90 | 96274771 | |
| ALUMET CD 24L35-730 RWETS CL HFX CL1 W4M | 9.90 | 96274849 | |
| ALUMET CD 24L35-740 RWETS CL HFX CL1 W4M | 9.90 | 96274851 | |



| Description | Wt (kg) | SAP Code | Cat. No. |
|--|---------|----------|----------|
| Alumet Control Direct LED, wide street comfort asymmetric optic | | | |
| ALUMET CD 24L25-730 WSC-A CL HFX CL1 W4M | 9.90 | 96274739 | |
| ALUMET CD 24L25-740 WSC-A CL HFX CL1 W4M | 9.90 | 96274741 | |
| ALUMET CD 24L35-730 WSC-A CL HFX CL1 W4M | 9.90 | 96274861 | |
| ALUMET CD 24L35-740 WSC-A CL HFX CL1 W4M | 9.90 | 96274863 | |
| Alumet Control Direct LED, columns | | | |
| ALUMET COL 3M MGR AL GRY NG | 38.00 | 96259923 | AL3RT |
| ALUMET COL 3M MGS AL GRY NG | 35.00 | 96259918 | AL3SPK |
| ALUMET COL 3M MPL AL FAI GRY NG | 35.00 | 96259919 | AL3FP |
| ALUMET COL 4M MGR AL GRY NG | 37.20 | 96259920 | AL4RT |
| ALUMET COL 4M MGS AL GRY NG | 37.20 | 96259921 | AL4SPK |
| ALUMET COL 4M MPL AL FAI GRY NG | 36.00 | 96259922 | AL4FP |
| Alumet Control Direct LED, lamp shields | | | |
| ALUMET LAMP SHIELD 180° ARABESQUE | 3.45 | 96255210 | ALALS |
| ALUMET LAMP SHIELD 180° SQUARE | 3.60 | 96254469 | ALSLS |

To make reading our ordering guides easier please use the SAP description key fold out, inside the back cover. For more information please visit our website www.thornlighting.co.uk and simply search for our products.

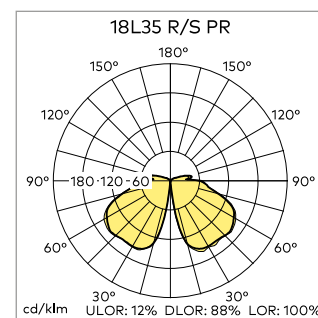
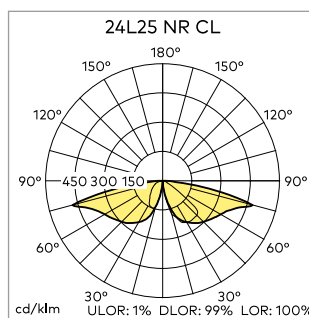
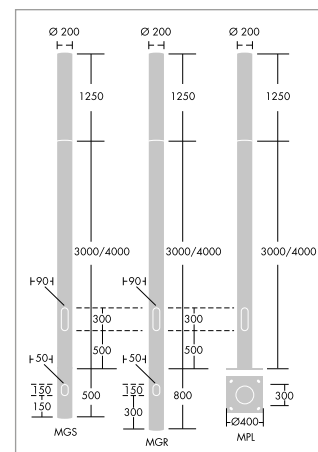
LAMPS

LED

16-29W

STANDARDS

CE IP65 IK10



NEW

Alumet

Stage II



www.thornlighting.co.uk/ALS2
www.thornlighting.ie/ALS2



More powerful, more flexible
and ready for the smart cities
of the future



- Up to 6 modules with multi-positioning and 360° rotation of the spots, create a wide variety of adjustable effects without the need to change the position of the luminaire
- Wide choice of beam optics and colours: Either at colour temperatures of 3 000 K or 4 000 K with 12° or 32° beam or coloured modules controlled as dynamic RGBW or set to fixed colours
- Resistant and quality materials to resist vandalism, graffiti and weather
- The fully customisable decorative lampshield accessory provides further aesthetical appeal and integration within architectural projects

MATERIAL/FINISH

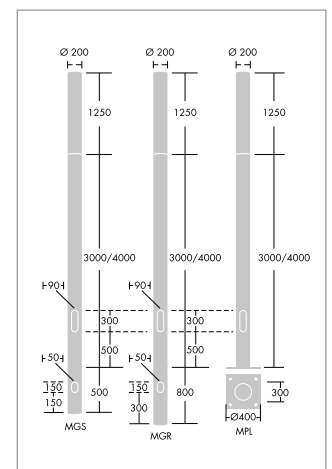
Diffuser: clear UV stabilised PC treated with anti-graffiti varnish
 Top cap: die-cast aluminium
 Lamp support: polyamid
 Spine: steel
 Column: extruded aluminium
 Accessory: 180° decorative lampshields in aluminium.
 Other patterns on request.
 Top/Column/Frame/Lampshield: powder coated textured silver grey 150 (close to RAL 9006).
 Other RAL on request.

INSTALLATION/MOUNTING

3 or 4m high columns, flange or root mounted (MGR or MGS) Flange: 400 x 400mm, spacings: 300 x 300mm, bolts 18 x 400 (included). Total height (with lit part of 1.25m): 4.25m or 5.25m, Diameter: 200mm. Fixing of the head and optional accessory by one single tool. Access to LED via 2 M6 screws in the top. Access to the driver and electronic tray by lifting up the PC diffuser and the bottom components cover. Pre-wired with 4m cable.

SPECIFICATION

To specify state:
 IP66 decorative lighting column with a unique design. Wide optical offer with white or colored spot variant. Post top mounting on dedicated columns. DALI and DMX as standard. Offering decorative accessories.
 As Thorn Alumet Stage II





LAMPS

LED 13W

STANDARDS

CE IP66 IK10

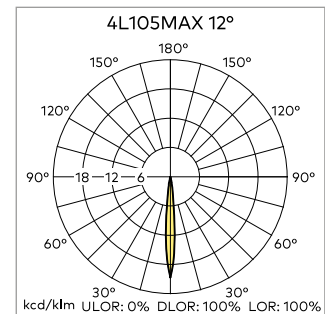
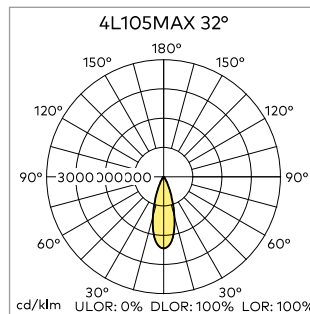
ORDERING GUIDE

For complete fitting order head, column and LED spot modules. Lampshields sold as accessory.

| Description | Wt (kg) | SAP Code |
|--|---------|----------|
| Heads | | |
| ALUMET ST HEAD 4X105 WHITE CL2 G4M3 | 9.22 | 96275333 |
| ALUMET ST HEAD 4X105 WHITE HFX CL1 W4M | 9.22 | 96275331 |
| ALUMET ST HEAD 4X105 WHITE HFX CL2 W4M | 9.22 | 96275332 |
| ALUMET ST HEAD 4X70 CLRMIX CL2 G4M3 | 9.22 | 96275327 |
| ALUMET ST HEAD 4X70 CLRMIX HFX CL1 W4M | 9.22 | 96275325 |
| ALUMET ST HEAD 4X70 CLRMIX HFX CL2 W4M | 9.22 | 96275326 |
| ALUMET ST HEAD 5-6X105 WHITE CL2 G4M3 | 9.22 | 96275336 |
| ALUMET ST HEAD 5-6X105 WHITE HFX CL1 W4M | 9.22 | 96275334 |
| ALUMET ST HEAD 5-6X105 WHITE HFX CL2 W4M | 9.22 | 96275335 |
| ALUMET ST HEAD 5-6X70 CLRMIX CL2 G4M3 | 9.22 | 96275330 |
| ALUMET ST HEAD 5-6X70 CLRMIX HFX CL1 W4M | 9.22 | 96275328 |
| ALUMET ST HEAD 5-6X70 CLRMIX HFX CL2 W4M | 9.22 | 96275329 |
| ALUMET ST HEAD 6X70 RGBW DMX CL1 W4M | 12.0 | 96275420 |
| ALUMET ST HEAD 6X70 RGBW DMX CL2 G4M3 | 12.0 | 96275422 |
| ALUMET ST HEAD 6X70 RGBW DMX CL2 W4M | 12.0 | 96275421 |
| Spots | | |
| ALUMET ST SPOT 4L105MAX 12° 830 | 0.27 | 96275340 |
| ALUMET ST SPOT 4L105MAX 12° 840 | 0.27 | 96275341 |
| ALUMET ST SPOT 4L105MAX 32° 830 | 0.27 | 96275342 |
| ALUMET ST SPOT 4L105MAX 32° 840 | 0.27 | 96275343 |
| ALUMET ST SPOT 4L70MAX 12° BU | 0.27 | 96275337 |
| ALUMET ST SPOT 4L70MAX 12° GN | 0.27 | 96275338 |
| ALUMET ST SPOT 4L70MAX 12° RD | 0.27 | 96275339 |
| ALUMET ST SPOT 4L70MAX 12° RGBW DMX | 0.27 | 96275423 |

| Description | Wt (kg) | SAP Code |
|-----------------------------------|---------|----------|
| Columns | | |
| ALUMET COL 3M MGR AL GRY NG | 38.0 | 96259923 |
| ALUMET COL 3M MGR AL NG R9999 | 38.0 | 96259927 |
| ALUMET COL 3M MGS AL GRY NG | 35.0 | 96259918 |
| ALUMET COL 3M MGS AL NG R9999 | 35.0 | 96259928 |
| ALUMET COL 3M MPL AL FAI GRY NG | 35.0 | 96259919 |
| ALUMET COL 3M MPL AL FAI NG R9999 | 35.0 | 96259929 |
| ALUMET COL 4M MGR AL GRY NG | 37.2 | 96259920 |
| ALUMET COL 4M MGR AL NG R9999 | 37.2 | 96259930 |
| ALUMET COL 4M MGS AL GRY NG | 37.2 | 96259921 |
| ALUMET COL 4M MGS AL NG R9999 | 37.2 | 96259931 |
| ALUMET COL 4M MPL AL FAI GRY NG | 36.0 | 96259922 |
| ALUMET COL 4M MPL AL FAI NG R9999 | 36.0 | 96259932 |
| Lampshields | | |
| ALUMET LAMPSHIELD 180° ARABESQUE | 3.4 | 96255210 |
| ALUMET LAMPSHIELD 180° SQUARE | 3.6 | 96254469 |

To make reading our ordering guides easier please use the SAP description key fold out, inside the front cover. For more information please visit our website www.thornlighting.com and simply search for our products.



Urba

Bollard



www.thornlighting.co.uk/TEA1
www.thornlighting.ie/TEA1

Stylish yet robust LED bollard enhancing urban areas



LAMPS

LED 15W

STANDARDS

EN 60598 IP65 650°C IK10

- Contemporary design which is easy to integrate into urban environments
- Robust (IK10), solid shape provides vandal resistant solution
- A choice of two distribution versions (performance and visual guidance) with an optimised ULOR of 0 and asymmetric optic which reduces obtrusive light and glare
- LEDs offer low energy consumption, long lifetime and reduced maintenance

MATERIALS/FINISH

Body and bezel: low carbon steel SS1142 : SS-EN 10130 material DC01. Electro-plated zinc treatment after welding.
 Diffuser: clear 5mm polycarbonate plate
 Body and bezel colours: black (RAL 9005)

INSTALLATION/MOUNTING

Flange mounted. 500mm root to be fixed into concrete base. 800mm root to be fixed into the ground. Access door for connection box (not provided).

SPECIFICATION

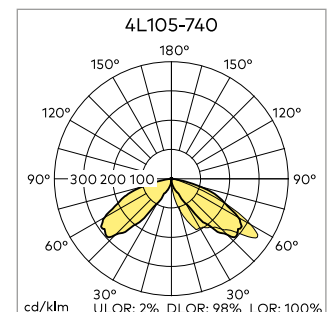
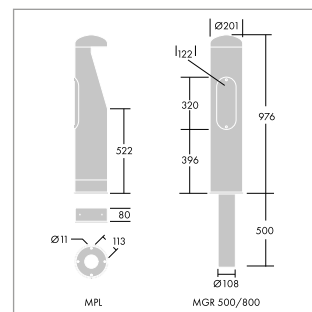
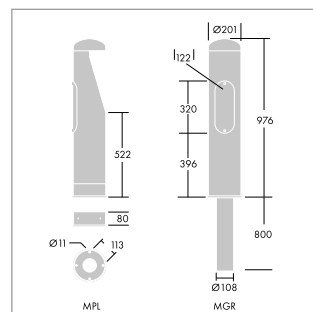
To specify state:
 Decorative steel bollard with clear diffuser and asymmetrical light distribution. Employs LEDs (15W). Flange or root mounted.
 As Thorn Urba Bollard.

ORDERING GUIDE

Supplied complete with LEDs. For flange mounting order the body and MPL base. For root mounting order the body and the MGR 500 or MGR 800 base.

| Description | Wt (kg) | SAP Code |
|----------------------------|---------|----------|
| Urba Bollard Body | | |
| URBA BOLLARD 4L105 730 CL2 | 12.0 | 96275588 |
| URBA BOLLARD 4L105 730 CL1 | 12.0 | 96275589 |
| URBA BOLLARD 4L105 740 CL2 | 12.0 | 96275590 |
| URBA BOLLARD 4L105 740 CL1 | 12.0 | 96275591 |
| Urba Bollard Base | | |
| URBA BOLLARD BASE MPL | 6.50 | 96275592 |
| URBA BOLLARD BASE MGR 500 | 10.00 | 96275593 |
| URBA BOLLARD BASE MGR 800 | 2.50 | 96275594 |

To make reading our ordering guides easier please use the SAP description key fold out, inside the back cover. For more information please visit our website www.thornlighting.co.uk and simply search for our products.



Thor

Bollard



www.thornlighting.co.uk/ADLB
www.thornlighting.ie/ADLB



Elegant vandal resistant bollard with high performance optic offering a comfortable light and energy saving solution




LAMPS

 LED

11-13W

STANDARDS

 IP66 IK10 T₂25 T₅50 



- Best in class LED optic provides a comfortable, low glare direct and indirect light with asymmetric or symmetric distribution, sympathetic to users with a lower viewing angle
- Available in two sizes - slim and wide - with the wide version also suitable for use as street furniture
- Durable and vandal resistant. Slim is IK10+ (resistance to 40J). Wide is IK10 (resistance to 20J)
- Bi power dimming and presence detection options reduce energy consumption

MATERIALS/FINISH

Column and base: aluminium (EN AW 6060)
Canopy: die-cast aluminium (EN AC 47100)
Diffuser: clear anti UV Polycarbonate
Reflector: white Polycarbonate
Gear Box: Polypropylene
Canopy and Column colour: powder coated dark grey (close to 7043)

INSTALLATION/MOUNTING

Slim version: suitable for Root and Flange mounting: 4 x anchor bolts M14 (to be ordered separately), spacing: 150mm.
Wide version: suitable for Flange mounting: 4 x anchor bolts M14 (to be ordered separately), spacing: 200mm.
Ready to install: prewired fittings to be connected with a connection box (to be ordered separately) through the anti vandal access door (via Torx hollow T30)
For RGB and Bi power versions choose the colour of the decorative led band or deactivate the Bi Power function at installation through the access door.
Gear box (including the driver) and head (including the LEDs) are easily replaceable as spares.

SPECIFICATION

To specify state: Elegant and vandal resistant bollard offering asymmetric and symmetric distributions, combining both direct and indirect comfortable light, with decorative colour and dimming/ presence detection.
As Thorn Thor Bollard.

Thor

Bollard



www.thornlighting.co.uk/ADLB
www.thornlighting.ie/ADLB

Elegant vandal resistant bollard with high performance optic offering a comfortable light and energy saving solution



ORDERING GUIDE

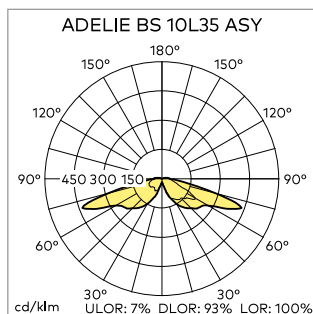
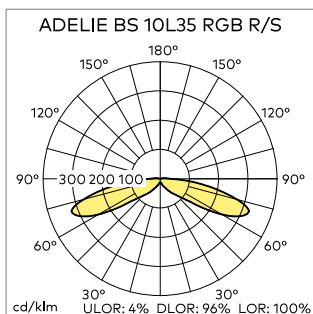
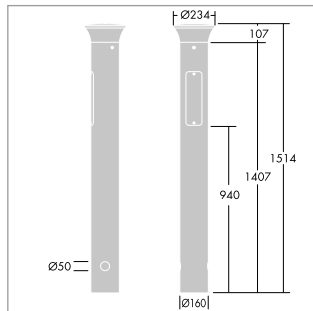
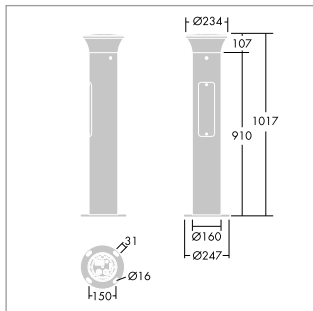
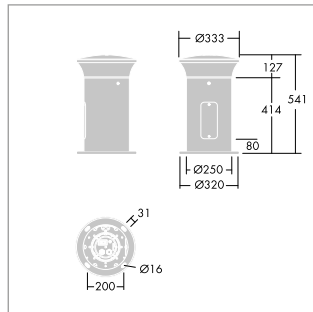
Supplied complete with LEDs.

| Description | Wt (kg) | SAP Code |
|---|---------|----------|
| Thor Bollard Slim 250 mA, lit band, flange mounted | | |
| THOR B S 10L25 730 RGB ASY CL1 MPL | 7.66 | 96264232 |
| THOR B S 10L25 730 RGB R/S CL1 MPL | 7.66 | 96264231 |
| THOR B S 10L25 740 RGB ASY CL1 MPL | 7.66 | 96264230 |
| THOR B S 10L25 740 RGB R/S CL1 MPL | 7.66 | 96264229 |
| Thor Bollard Slim 250 mA, without lit band, flange mounted | | |
| THOR B S 10L25 730 ASY CL1 MPL | 7.66 | 96264228 |
| THOR B S 10L25 730 R/S CL1 MPL | 7.66 | 96264227 |
| THOR B S 10L25 740 ASY CL1 MPL | 7.66 | 96264226 |
| THOR B S 10L25 740 R/S CL1 MPL | 7.66 | 96264225 |
| Thor Bollard Slim 250 mA, lit band, root mounted | | |
| THOR B S 10L25 730 RGB ASY CL1 MGR | 9.30 | 96264248 |
| THOR B S 10L25 730 RGB R/S CL1 MGR | 9.30 | 96264247 |
| THOR B S 10L25 740 RGB ASY CL1 MGR | 9.30 | 96264246 |
| THOR B S 10L25 740 RGB R/S CL1 MGR | 9.30 | 96264245 |
| Thor Bollard Slim 250 mA, without lit band, root mounted | | |
| THOR B S 10L25 730 ASY CL1 MGR | 9.30 | 96264244 |
| THOR B S 10L25 730 R/S CL1 MGR | 9.30 | 96264243 |
| THOR B S 10L25 740 ASY CL1 MGR | 9.30 | 96264242 |
| THOR B S 10L25 740 R/S CL1 MGR | 9.30 | 96264241 |
| Thor Bollard Slim 350 mA, lit band, flange mounted | | |
| THOR B S 10L35 BPSW 730 RGB ASY CL1 MPL | 7.70 | 96273277 |
| THOR B S 10L35 BPSW 730 RGB R/S CL1 MPL | 7.70 | 96273276 |
| THOR B S 10L35 BPSW 740 RGB ASY CL1 MPL | 7.70 | 96273275 |
| THOR B S 10L35 BPSW 740 RGB R/S CL1 MPL | 7.70 | 96273274 |
| Thor Bollard Slim 350 mA, without lit band, flange mounted | | |
| THOR B S 10L35 BPSW 730 ASY CL1 MPL | 7.70 | 96273273 |
| THOR B S 10L35 BPSW 730 R/S CL1 MPL | 7.70 | 96273272 |
| THOR B S 10L35 BPSW 740 ASY CL1 MPL | 7.70 | 96273302 |
| THOR B S 10L35 BPSW 740 R/S CL1 MPL | 7.70 | 96273301 |
| Thor Bollard Slim 350 mA, lit band, root mounted | | |
| THOR B S 10L35 BPSW 730 RGB ASY CL1 MGR | 9.30 | 96273293 |
| THOR B S 10L35 BPSW 730 RGB R/S CL1 MGR | 9.30 | 96273292 |
| THOR B S 10L35 BPSW 740 RGB ASY CL1 MGR | 9.30 | 96273291 |
| THOR B S 10L35 BPSW 740 RGB R/S CL1 MGR | 9.30 | 96273290 |

| Description | Wt (kg) | SAP Code |
|---|---------|----------|
| Thor Bollard Slim 350 mA, without lit band, root mounted | | |
| THOR B S 10L35 BPSW 730 ASY CL1 MGR | 9.30 | 96273289 |
| THOR B S 10L35 BPSW 730 R/S CL1 MGR | 9.30 | 96273288 |
| THOR B S 10L35 BPSW 740 ASY CL1 MGR | 9.30 | 96273287 |
| THOR B S 10L35 BPSW 740 R/S CL1 MGR | 9.30 | 96273286 |
| Thor Bollard Slim, presence detection master, flange mounted | | |
| THOR B S 10L25 MAS 730 RGB ASY CL1 MPL | 7.90 | 96265402 |
| THOR B S 10L25 MAS 730 RGB R/S CL1 MPL | 7.90 | 96265401 |
| THOR B S 10L25 MAS 740 RGB ASY CL1 MPL | 7.90 | 96265400 |
| THOR B S 10L25 MAS 740 RGB R/S CL1 MPL | 7.90 | 96265399 |
| THOR B S 10L35 MAS 730 RGB ASY CL1 MPL | 7.70 | 96273309 |
| THOR B S 10L35 MAS 730 RGB R/S CL1 MPL | 7.70 | 96273308 |
| THOR B S 10L35 MAS 740 RGB ASY CL1 MPL | 7.70 | 96273307 |
| THOR B S 10L35 MAS 740 RGB R/S CL1 MPL | 7.70 | 96273306 |
| Thor Bollard Slim, presence detection master, root mounted | | |
| THOR B S 10L25 MAS 730 RGB ASY CL1 MGR | 9.50 | 96265410 |
| THOR B S 10L25 MAS 730 RGB R/S CL1 MGR | 9.50 | 96265409 |
| THOR B S 10L25 MAS 740 RGB ASY CL1 MGR | 9.50 | 96265408 |
| THOR B S 10L25 MAS 740 RGB R/S CL1 MGR | 9.50 | 96265407 |
| THOR B S 10L35 MAS 730 RGB ASY CL1 MGR | 9.30 | 96273315 |
| THOR B S 10L35 MAS 730 RGB R/S CL1 MGR | 9.30 | 96273314 |
| THOR B S 10L35 MAS 740 RGB ASY CL1 MGR | 9.30 | 96273313 |
| THOR B S 10L35 MAS 740 RGB R/S CL1 MGR | 9.30 | 96273312 |
| Thor Bollard Slim, presence detection slave, flange mounted | | |
| THOR B S 10L25 SLA 730 RGB ASY CL1 MPL | 7.70 | 96265418 |
| THOR B S 10L25 SLA 730 RGB R/S CL1 MPL | 7.70 | 96265417 |
| THOR B S 10L25 SLA 740 RGB ASY CL1 MPL | 7.70 | 96265416 |
| THOR B S 10L25 SLA 740 RGB R/S CL1 MPL | 7.70 | 96265415 |
| THOR B S 10L35 SLA 730 RGB ASY CL1 MPL | 7.70 | 96273327 |
| THOR B S 10L35 SLA 730 RGB R/S CL1 MPL | 7.70 | 96273326 |
| THOR B S 10L35 SLA 740 RGB ASY CL1 MPL | 7.70 | 96273325 |
| THOR B S 10L35 SLA 740 RGB R/S CL1 MPL | 7.70 | 96273324 |

| Description | Wt (kg) | SAP Code |
|--|---------|----------|
| Thor Bollard Slim, presence detection slave, root mounted | | |
| THOR B S 10L25 SLA 730 RGB ASY CL1 MGR | 9.30 | 96265426 |
| THOR B S 10L25 SLA 730 RGB R/S CL1 MGR | 9.30 | 96265425 |
| THOR B S 10L25 SLA 740 RGB ASY CL1 MGR | 9.30 | 96265424 |
| THOR B S 10L25 SLA 740 RGB R/S CL1 MGR | 9.30 | 96265423 |
| THOR B S 10L35 SLA 730 RGB ASY CL1 MGR | 9.30 | 96273332 |
| THOR B S 10L35 SLA 730 RGB R/S CL1 MGR | 9.30 | 96273331 |
| THOR B S 10L35 SLA 740 RGB ASY CL1 MGR | 9.30 | 96273330 |
| THOR B S 10L35 SLA 740 RGB R/S CL1 MGR | 9.30 | 96273329 |
| Thor Bollard Wide, lit band, flange mounted | | |
| THOR B W 10L25 730 RGB ASY CL1 MPL | 9.00 | 96264264 |
| THOR B W 10L25 730 RGB R/S CL1 MPL | 9.00 | 96264263 |
| THOR B W 10L25 740 RGB ASY CL1 MPL | 9.00 | 96264262 |
| THOR B W 10L25 740 RGB R/S CL1 MPL | 9.00 | 96264261 |
| Thor Bollard Wide, without lit band, flange mounted | | |
| THOR B W 10L25 730 ASY CL1 MPL | 9.00 | 96264260 |
| THOR B W 10L25 730 R/S CL1 MPL | 9.00 | 96264259 |
| THOR B W 10L25 740 ASY CL1 MPL | 9.00 | 96264258 |
| THOR B W 10L25 740 R/S CL1 MPL | 9.00 | 96264257 |
| Anchor bolts, flange mounting | | |
| FA M14X200/50 | 0.28 | 96009822 |
| Connection box, Slim version | | |
| TEMPO16 CL2 4X16 1C/C | 0.46 | 96012372 |
| Connection box, Wide version | | |
| CONNECT CABLE BOX 3/4X2,5" IP67 | 0.40 | 96257908 |

To make reading our ordering guides easier please use the SAP description key fold out, inside the back cover. For more information please visit our website www.thornlighting.co.uk and simply search for our products.



D-CO LED

Bollard



www.thornlighting.co.uk/DCOB
www.thornlighting.ie/DCOB



A timeless bollard offering comfortable visual guidance



LAMPS

LED 14W

STANDARDS



- Comfortable white light with no glare provided by a semi-opal anti-UV PC diffuser
- Suitable for any application thanks to high specs and two heights
- 60,000 hour lifetime (L80, 25°) ensures low maintenance costs
- Flange mounting, compatible with root spikes

MATERIALS/FINISH

Top and body: aluminium, powder coated grey 900
Diffuser: semi-opal anti-UV polycarbonate

INSTALLATION/MOUNTING

Suitable for flange mounting. Can fit a 500mm root spike to be fixed into concrete base. Can fit a 800mm root spike to be fixed into the ground.

SPECIFICATION

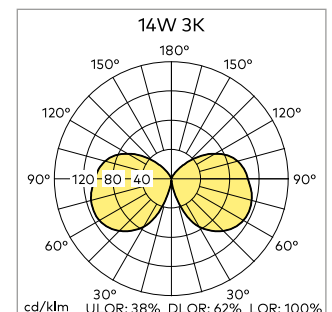
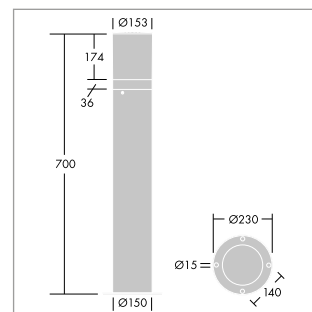
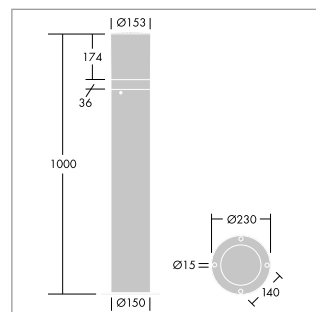
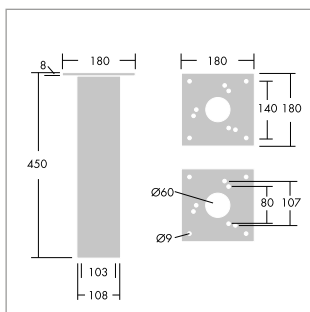
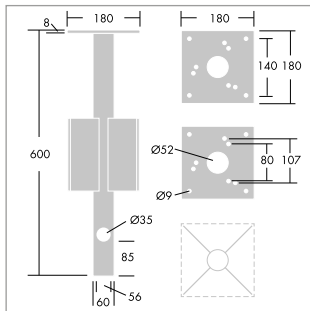
To specify state:
Timeless design 14W LED bollard with semi-opal diffuser and symmetrical light distribution.
As Thorn D-CO LED Bollard.

ORDERING GUIDE

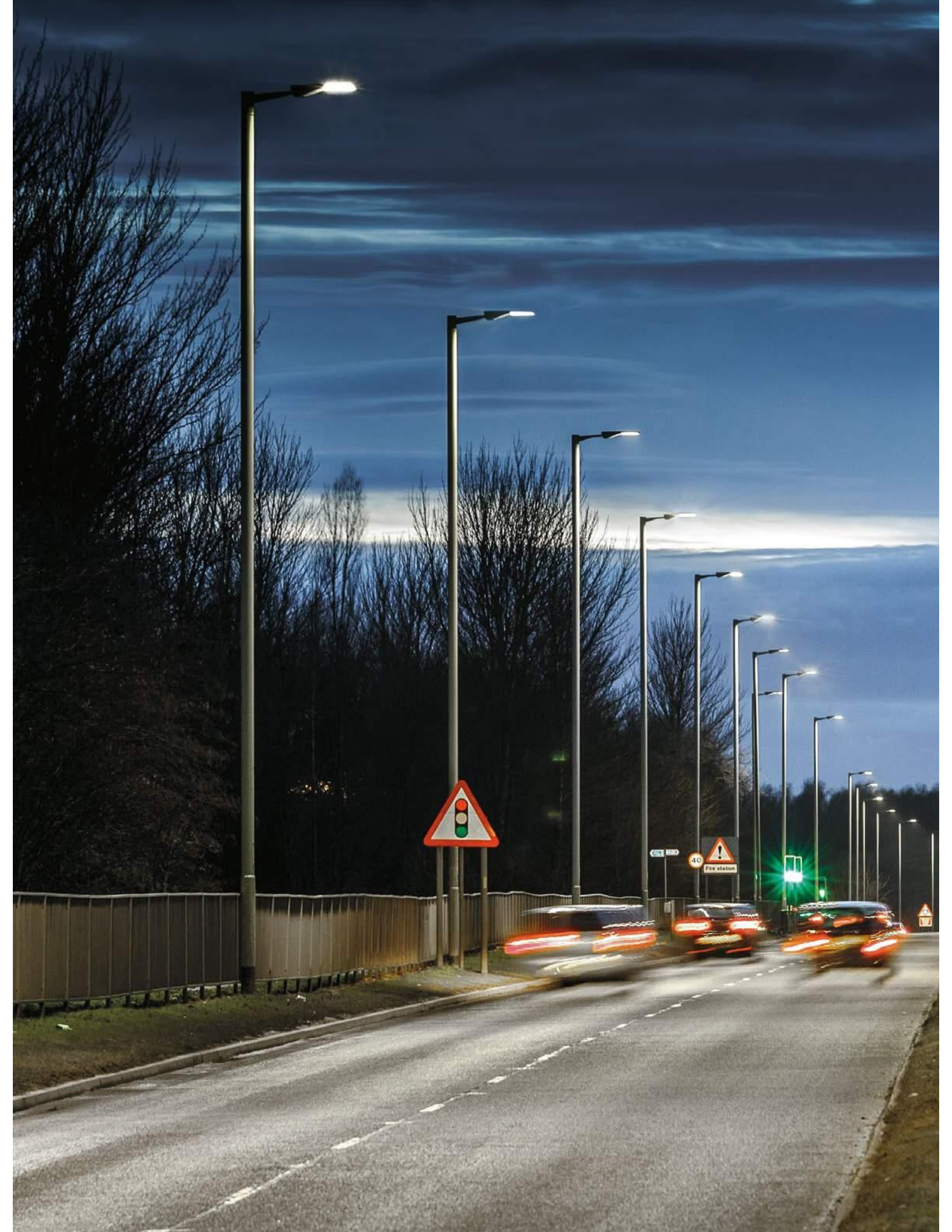
Supplied complete with LEDs

| Description | Wt (kg) | SAP Code | Cat. No. |
|---|---------|----------|----------|
| D-CO LED Bollard | | | |
| D-CO LED BOLLARD 1000 30L50 830 CL1 | 5.45 | 96262100 | DCB23K14 |
| D-CO LED BOLLARD 1000 30L50 840 CL1 | 5.45 | 96262145 | DCB24K14 |
| D-CO LED BOLLARD 700 30L50 830 CL1 | 4.15 | 96262101 | DCB13K14 |
| D-CO LED BOLLARD 700 30L50 840 CL1 | 4.15 | 96262146 | DCB14K14 |
| D-CO LED Bollard MGR base adaptors | | | |
| MGR BASE PROM/AVENUE/MADISON/DCO | 10.00 | 96100253 | PMB1RT |
| MGR SPIKE PROM/AVENUE/DCO | 10.00 | 96005367 | PMB2RT |

To make reading our ordering guides easier please use the SAP description key fold out, inside the back cover. For more information please visit our website www.thornlighting.co.uk and simply search for our products.







Outdoor Lighting

STREET LIGHTING



188
R2L2



191
Urba



194
CiviTEQ



198
Olsys Street



200
Thor



202
Dyana LED



204
Orus LED



205
R-PEC®



www.thornlighting.co.uk/R2L2
www.thornlighting.ie/R2L2



A complete road lantern family at the forefront of LED technology to offer excellent lighting performance and cover all applications



- Comprehensive range available in two sizes with extensive optical, lumen and light distribution choice for all road applications
- Efficient (up to 120lm/W) R-PEC[®] optic offering 12 types of light distribution for precise light placement with no waste light. please refer to page 205 for the Thorn R-PEC[®] LED options
- Maximises energy savings with a wide range of intelligent lighting control solutions from stand alone dimming to fully remote control via central monitoring system
- Attractive, universal and integrated spigot offering flexibility through top and side entry as well as tilt adjustment

MATERIALS/FINISH

Housing, canopies, spigot: die-cast aluminium with powder coating and min 1000hrs salt fog resistance
 Glass: extra-white tempered, 4mm thick
 Screws: Ecolubric[®] treated
 Powder coating texturised light grey as standard. Other RAL or AKZO colours available on request. Other special treatment on request.

INSTALLATION/MOUNTING

Post-top mounting: Ø60-76mm
 Side-entry mounting: Ø48-60mm or Ø32-42-48-60mm (CL1 as standard)
 Operating temperature: -25°C < Ta < +35°C
 Suitable for use up to +50°C through the use of heat regulation system
 Recommended mounting height: 4m to 14m
 Adjustable tilt angle side: 0°/-5°/-10°/-15°
 Adjustable tilt angle top: 0°/+5°/+10°

SPECIFICATION

To specify state:
 Two sizes with extensive optical, lumen and light distribution choice for all road applications. Wide range of intelligent lighting control solutions from stand alone dimming to fully remote control via central monitoring system. Attractive, universal and integrated spigot offering flexibility through top and side entry as well as tilt adjustment up to 15°. Easy to fit back and front louvres which can be fitted retrospectively for extra light control and comfort. Four spare parts defined: canopy, glass enclosure, gear tray incl. driver, LED cover (incl. LED module and lenses). As Thorn R2L2.

ORDERING GUIDE

| Description | Wt (kg) | SAP Code | Cat. No. |
|--|---------|----------|------------|
| R2L2 Small, Narrow road optic | | | |
| R2L2 S 12L35 NR 740 CL1 | 9.08 | 96268397 | RLS1235NR |
| R2L2 S 12L50 NR 740 CL1 | 9.08 | 96268405 | RLS1250NR |
| R2L2 S 12L70 NR 740 CL1 | 9.08 | 96268418 | RLS1270NR |
| R2L2 S 24L35 NR 740 CL1 | 9.54 | 96268430 | RLS2435NR |
| R2L2 S 24L50 NR 740 CL1 | 9.54 | 96268440 | RLS2450NR |
| R2L2 S 36L35 NR 740 CL1 | 9.51 | 96268464 | RLS3635NR |
| R2L2 S 48L35 NR 740 CL1 | 9.56 | 96268498 | RLS4835NR |
| R2L2 S 24L70 NR 740 CL1 | 9.54 | 96268453 | RLS2470NR |
| R2L2 S 36L50 NR 740 CL1 | 9.51 | 96268474 | RLS3650NR |
| R2L2 S 48L50 NR L740 CL1 | 9.56 | 96266286 | RLS4850NR |
| R2L2 S 36L70 NR 740 CL1 | 9.51 | 96268487 | RLS3670NR |
| R2L2 S 48L70 NR L740 CL1 | 9.97 | 96266347 | RLS4870NR |
| R2L2 Small, Wide street optic | | | |
| R2L2 S 12L35 WS 740 CL1 | 9.08 | 96268401 | |
| R2L2 S 12L50 WS 740 CL1 | 9.08 | 96268411 | |
| R2L2 S 12L70 WS 740 CL1 | 9.08 | 96268425 | |
| R2L2 S 24L35 WS 740 CL1 | 9.54 | 96268436 | |
| R2L2 S 24L50 WS 740 CL1 | 9.54 | 96268446 | |
| R2L2 S 36L35 WS 740 CL1 | 9.51 | 96268470 | |
| R2L2 S 48L35 WS 740 CL1 | 9.56 | 96268504 | |
| R2L2 S 24L70 WS 740 CL1 | 9.54 | 96268459 | |
| R2L2 S 36L50 WS 740 CL1 | 9.51 | 96268480 | RLS3650WS |
| R2L2 S 48L50 WS L740 CL1 | 9.56 | 96266314 | RLS4850WS |
| R2L2 S 36L70 WS 740 CL1 | 9.51 | 96268493 | |
| R2L2 S 48L70 WS L740 CL1 | 9.97 | 96266358 | RLS4870WS |
| R2L2 Small, Wide street comfort optic | | | |
| R2L2 S 12L35 WSC 740 CL1 | 9.08 | 96268402 | |
| R2L2 S 12L50 WSC 740 CL1 | 9.08 | 96268414 | |
| R2L2 S 12L70 WSC 740 CL1 | 9.08 | 96268426 | |
| R2L2 S 24L35 WSC 740 CL1 | 9.54 | 96268437 | |
| R2L2 S 24L50 WSC 740 CL1 | 9.54 | 96268449 | |
| R2L2 S 36L35 WSC 740 CL1 | 9.51 | 96268471 | |
| R2L2 S 48L35 WSC 740 CL1 | 9.56 | 96268505 | |
| R2L2 S 24L70 WSC 740 CL1 | 9.54 | 96268460 | |
| R2L2 S 36L50 WSC 740 CL1 | 9.51 | 96268483 | |
| R2L2 S 48L50 WSC L740 CL1 | 9.56 | 96266324 | RLS4850WSC |
| R2L2 S 36L70 WSC 740 CL1 | 9.51 | 96268494 | |
| R2L2 S 48L70 WSC L740 CL1 | 9.97 | 96266369 | RLS4870WSC |



LAMPS

 LED

15-271W

STANDARDS

  IP66  IK08  T_a35  T_a50

| Description | Wt (kg) | SAP Code | Cat. No. |
|---------------------------------------|---------|----------|-----------|
| R2L2 Small, Wet road optic | | | |
| R2L2 S 12L35 RWET 740 CL1 | 9.08 | 96268399 | |
| R2L2 S 12L50 RWET 740 CL1 | 9.08 | 96268409 | |
| R2L2 S 12L70 RWET 740 CL1 | 9.08 | 96268422 | |
| R2L2 S 24L35 RWET 740 CL1 | 9.54 | 96268433 | |
| R2L2 S 24L50 RWET 740 CL1 | 9.54 | 96268444 | |
| R2L2 S 36L35 RWET 740 CL1 | 9.51 | 96268467 | |
| R2L2 S 48L35 RWET 740 CL1 | 9.56 | 96268501 | |
| R2L2 S 24L70 RWET 740 CL1 | 9.54 | 96268456 | |
| R2L2 S 36L50 RWET 740 CL1 | 9.51 | 96268478 | |
| R2L2 S 48L50 RWET 740 CL1 | 9.56 | 96268510 | |
| R2L2 S 36L70 RWET 740 CL1 | 9.51 | 96268490 | |
| R2L2 S 48L70 RWET 740 CL1 | 9.97 | 96268517 | |
| R2L2 Small, Road comfort optic | | | |
| R2L2 S 12L35 RC 740 CL1 | 9.08 | 96268398 | |
| R2L2 S 12L50 RC 740 CL1 | 9.08 | 96268406 | |
| R2L2 S 12L70 RC 740 CL1 | 9.08 | 96268420 | |
| R2L2 S 24L35 RC 740 CL1 | 9.54 | 96268431 | |
| R2L2 S 24L50 RC 740 CL1 | 9.54 | 96268441 | |
| R2L2 S 36L35 RC 740 CL1 | 9.51 | 96268465 | |
| R2L2 S 48L35 RC 740 CL1 | 9.56 | 96268499 | |
| R2L2 S 24L70 RC 740 CL1 | 9.54 | 96268454 | |
| R2L2 S 36L50 RC 740 CL1 | 9.51 | 96268475 | |
| R2L2 S 48L50 RC L740 CL1 | 9.56 | 96266298 | RLS4850RC |
| R2L2 S 36L70 RC 740 CL1 | 9.51 | 96268488 | |
| R2L2 S 48L70 RC L740 CL1 | 9.97 | 96266353 | RLS4870RC |
| R2L2 Small, Wide road optic | | | |
| R2L2 S 12L35 WR 740 CL1 | 9.08 | 96268400 | |
| R2L2 S 12L50 WR 740 CL1 | 9.08 | 96268410 | |
| R2L2 S 12L70 WR 740 CL1 | 9.08 | 96268423 | |
| R2L2 S 24L35 WR 740 CL1 | 9.54 | 96268434 | |
| R2L2 S 24L50 WR 740 CL1 | 9.54 | 96268445 | |
| R2L2 S 36L35 WR 740 CL1 | 9.51 | 96268468 | |
| R2L2 S 48L35 WR 740 CL1 | 9.56 | 96268502 | |
| R2L2 S 24L70 WR 740 CL1 | 9.54 | 96268457 | |
| R2L2 S 36L50 WR 740 CL1 | 9.51 | 96268479 | |
| R2L2 S 48L50 WR L740 CL1 | 9.56 | 96266308 | RLS4850WR |
| R2L2 S 36L70 WR 740 CL1 | 9.51 | 96268491 | |
| R2L2 S 48L70 WR 740 CL1 HT | 10.02 | 96269273 | |
| R2L2 S 48L70 WR L740 CL1 | 9.97 | 96266356 | RLS4870WR |

| Description | Wt (kg) | SAP Code | Cat. No. |
|--|---------|----------|------------|
| R2L2 Small, Extra wide street optic | | | |
| R2L2 S 12L35 EWS 740 CL1 | 9.08 | 96268395 | |
| R2L2 S 12L50 EWS 740 CL1 | 9.08 | 96268403 | |
| R2L2 S 12L70 EWS 740 CL1 | 9.08 | 96268415 | |
| R2L2 S 24L35 EWS 740 CL1 | 9.54 | 96268427 | |
| R2L2 S 24L50 EWS 740 CL1 | 9.54 | 96268438 | |
| R2L2 S 36L35 EWS 740 CL1 | 9.51 | 96268461 | |
| R2L2 S 48L35 EWS 740 CL1 | 9.56 | 96268495 | |
| R2L2 S 24L70 EWS 740 CL1 | 9.54 | 96268450 | |
| R2L2 S 36L50 EWS 740 CL1 | 9.51 | 96268472 | |
| R2L2 S 48L50 EWS 740 CL1 | 9.56 | 96268506 | RLS4850EWS |
| R2L2 S 36L70 EWS 740 CL1 | 9.51 | 96268484 | |
| R2L2 S 48L70 EWS 740 CL1 | 9.97 | 96268513 | |
| R2L2 Small, Extra wide street comfort optic | | | |
| R2L2 S 12L35 EWSC 740 CL1 | 9.08 | 96268396 | |
| R2L2 S 12L50 EWSC 740 CL1 | 9.08 | 96268404 | |
| R2L2 S 12L70 EWSC 740 CL1 | 9.08 | 96268416 | |
| R2L2 S 24L35 EWSC 740 CL1 | 9.54 | 96268428 | |
| R2L2 S 24L50 EWSC 740 CL1 | 9.54 | 96268439 | |
| R2L2 S 36L35 EWSC 740 CL1 | 9.51 | 96268462 | |
| R2L2 S 48L35 EWSC 740 CL1 | 9.56 | 96268496 | |
| R2L2 S 24L70 EWSC 740 CL1 | 9.54 | 96268451 | |
| R2L2 S 36L50 EWSC 740 CL1 | 9.51 | 96268473 | |
| R2L2 S 48L50 EWSC 740 CL1 | 9.56 | 96268507 | |
| R2L2 S 36L70 EWSC 740 CL1 | 9.51 | 96268485 | |
| R2L2 S 48L70 EWSC 740 CL1 | 9.97 | 96268514 | |
| R2L2 Medium, Narrow road optic | | | |
| R2L2 M 60L35 NR 740 CL1 | 12.86 | 96268295 | RLM6035NR |
| R2L2 M 72L35 NR 740 CL1 | 12.83 | 96268324 | RLM7235NR |
| R2L2 M 84L35 NR 740 CL1 | 13.29 | 96266575 | RLM8435NR |
| R2L2 M 60L50 NR L740 CL1 | 13.26 | 96266416 | RLM6050NR |
| R2L2 M 96L35 NR 740 CL1 | 13.34 | 96266687 | RLM9635NR |
| R2L2 M 72L50 NR L740 CL1 | 13.24 | 96266504 | RLM7250NR |
| R2L2 M 84L50 NR 740 CL1 | 13.29 | 96266607 | RLM8450NR |
| R2L2 M 60L70 NR 740 CL1 HT | 13.31 | 96269279 | |
| R2L2 M 60L70 NR L740 CL1 | 13.26 | 96266448 | RLM6070NR |
| R2L2 M 96L50V2 NR 740 CL1 | 13.64 | 96266721 | RLM9650NR |
| R2L2 M 96L50V2 NR 740 CL1 HT | 13.69 | 96269309 | |
| R2L2 M 72L70V2 NR 740 CL1 HT | 13.58 | 96269289 | |
| R2L2 M 72L70V2 NR L740 CL1 | 13.53 | 96266541 | RLM7270NR |
| R2L2 M 84L70 NR 740 CL1 | 13.58 | 96266653 | RLM8470NR |
| R2L2 M 84L70 NR 740 CL1 HT | 13.63 | 96269299 | |
| R2L2 M 96L70 NR 740 CL1 | 14.45 | 96266760 | RLM9670NR |
| R2L2 M 96L90 NR 740 CL1 | 14.50 | 96274635 | |



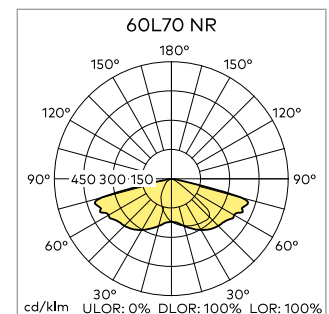
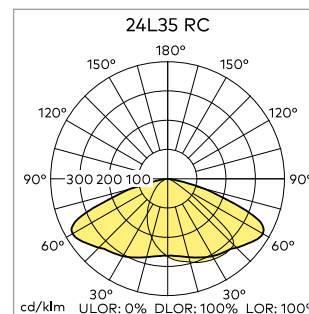
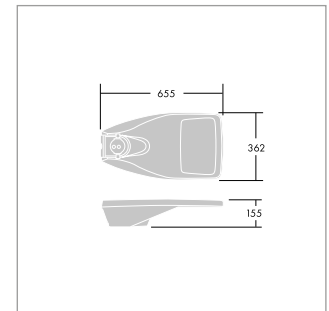
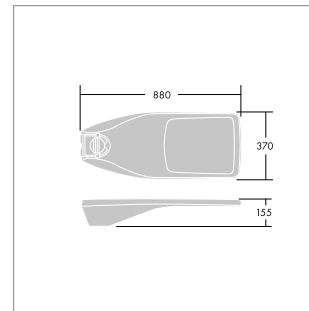
www.thornlighting.co.uk/R2L2
www.thornlighting.ie/R2L2

A complete road lantern family at the forefront of LED technology to offer excellent lighting performance and cover all applications

| Description | Wt (kg) | SAP Code | Cat. No. |
|---|---------|----------|-------------|
| R2L2 Medium, Wide street optic | | | |
| R2L2 M 60L35 WS 740 CL1 | 12.86 | 96268303 | |
| R2L2 M 72L35 WS 740 CL1 | 12.83 | 96268332 | |
| R2L2 M 84L35 WS 740 CL1 | 13.29 | 96266590 | RLM8435WS |
| R2L2 M 60L50 WS L740 CL1 | 13.26 | 96266432 | RLM6050WS |
| R2L2 M 96L35 WS 740 CL1 | 13.34 | 96266705 | RLM9635WS |
| R2L2 M 72L50 WS L740 CL1 | 13.24 | 96266523 | RLM7250WS |
| R2L2 M 84L50 WS 740 CL1 | 13.29 | 96266635 | RLM8450WS |
| R2L2 M 60L70 WS 740 CL1 HT | 13.31 | 96269285 | |
| R2L2 M 60L70 WS L740 CL1 | 13.26 | 96266466 | RLM6070WS |
| R2L2 M 96L50 WS 740 CL1 HT | 13.69 | 96269315 | |
| R2L2 M 96L50V2 WS 740 CL1 | 13.64 | 96266740 | RLM9650WS |
| R2L2 M 72L70V2 WS L740 CL1 | 13.53 | 96266559 | RLM7270WS |
| R2L2 M 84L70 WS 740 CL1 | 13.58 | 96266671 | RLM8470WS |
| R2L2 M 84L70 WS 740 CL1 HT | 13.63 | 96269305 | |
| R2L2 M 96L70 WS 740 CL1 | 14.45 | 96266779 | RLM9670WS |
| R2L2 M 96L90 WS 740 CL1 | 14.50 | 96274640 | |
| R2L2 Medium, Wide street comfort optic | | | |
| R2L2 M 60L35 WSC 740 CL1 | 12.86 | 96268304 | |
| R2L2 M 72L35 WSC 740 CL1 | 12.83 | 96268333 | |
| R2L2 M 84L35 WSC 740 CL1 | 13.29 | 96266598 | RLM8435WSC |
| R2L2 M 60L50 WSC L740 CL1 | 13.26 | 96266440 | RLM6050WSC |
| R2L2 M 96L35 WSC 740 CL1 | 13.34 | 96266713 | RLM9635WSC |
| R2L2 M 72L50 WSC L740 CL1 | 13.24 | 96266531 | RLM7250WSC |
| R2L2 M 84L50 WSC 740 CL1 | 13.29 | 96266643 | RLM8450WSC |
| R2L2 M 60L70 WSC 740 CL1 HT | 13.31 | 96269287 | |
| R2L2 M 60L70 WSC L740 CL1 | 13.26 | 96266474 | RLM6070WSC |
| R2L2 M 96L50 WSC 740 CL1 HT | 13.69 | 96269317 | |
| R2L2 M 96L50V2 WSC 740 CL1 | 13.64 | 96266748 | RLM9650WSC |
| R2L2 M 72L70V2 WSC 740 CL1 | 13.53 | 96266567 | RLM7270WSC |
| R2L2 M 84L70 WSC 740 CL1 | 13.58 | 96266679 | RLM8470WSC |
| R2L2 M 84L70 WSC 740 CL1 HT | 13.63 | 96269307 | |
| R2L2 M 96L70 WSC 740 CL1 | 14.45 | 96266787 | RLM9670WSC |
| R2L2 M 96L90 WSC 740 CL1 | 14.50 | 96274641 | |
| R2L2 Medium, Wet road optic | | | |
| R2L2 M 60L35 RWET 740 CL1 | 12.86 | 96268300 | |
| R2L2 M 72L35 RWET 740 CL1 | 12.83 | 96268329 | |
| R2L2 M 84L35 RWET 740 CL1 | 13.29 | 96268356 | |
| R2L2 M 60L50 RWET 740 CL1 | 13.26 | 96268309 | |
| R2L2 M 96L35 RWET 740 CL1 | 13.34 | 96268379 | |
| R2L2 M 72L50 RWET 740 CL1 | 13.24 | 96268338 | |
| R2L2 M 84L50 RWET 740 CL1 | 13.29 | 96268362 | |
| R2L2 M 60L70 RWET 740 CL1 | 13.26 | 96268318 | |
| R2L2 M 96L50 RWET 740 CL1 | 13.64 | 96268385 | |
| R2L2 M 72L70 RWET 740 CL1 | 13.53 | 96268347 | |
| R2L2 M 84L70 RWET 740 CL1 | 13.58 | 96268371 | |
| R2L2 M 96L70 RWET 740 CL1 | 14.45 | 96268393 | RLM9670RWET |
| R2L2 M 96L90 RWET 740 CL1 | 14.50 | 96274637 | |
| R2L2 Medium, Road comfort optic | | | |
| R2L2 M 60L35 RC 740 CL1 | 12.86 | 96268297 | |
| R2L2 M 72L35 RC 740 CL1 | 12.83 | 96268326 | |
| R2L2 M 84L35 RC 740 CL1 | 13.29 | 96266577 | RLM8435RC |
| R2L2 M 60L50 RC L740 CL1 | 13.26 | 96266419 | RLM6050RC |
| R2L2 M 96L35 RC 740 CL1 | 13.34 | 96266692 | RLM9635RC |
| R2L2 M 72L50 RC L740 CL1 | 13.24 | 96266509 | RLM7250RC |
| R2L2 M 84L50 RC 740 CL1 | 13.29 | 96266615 | RLM8450RC |
| R2L2 M 60L70 RC L740 CL1 | 13.26 | 96266453 | RLM6070RC |
| R2L2 M 96L50 RC 740 CL1 HT | 13.69 | 96269311 | |
| R2L2 M 96L50V2 RC 740 CL1 | 13.64 | 96266727 | RLM9650RC |
| R2L2 M 72L70V2 RC 740 CL1 HT | 13.58 | 96269291 | |
| R2L2 M 72L70V2 RC L740 CL1 | 13.53 | 96266546 | RLM7270RC |
| R2L2 M 84L70 RC 740 CL1 | 13.58 | 96266658 | RLM8470RC |
| R2L2 M 84L70 RC 740 CL1 HT | 13.63 | 96269301 | |
| R2L2 M 96L70 RC 740 CL1 | 14.45 | 96266763 | RLM9670RC |
| R2L2 M 96L90 RC 740 CL1 | 14.50 | 96274636 | |

| Description | Wt (kg) | SAP Code | Cat. No. |
|---|---------|----------|------------|
| R2L2 Medium, Wide road optic | | | |
| R2L2 M 60L35 WR 740 CL1 | 12.86 | 96268301 | |
| R2L2 M 72L35 WR 740 CL1 | 12.83 | 96268330 | |
| R2L2 M 84L35 WR 740 CL1 | 13.29 | 9626582 | |
| R2L2 M 60L50 WR L740 CL1 | 13.26 | 96266424 | |
| R2L2 M 96L35 WR 740 CL1 | 13.34 | 96266697 | |
| R2L2 M 72L50 WR L740 CL1 | 13.24 | 96266515 | |
| R2L2 M 84L50 WR 740 CL1 | 13.29 | 96266627 | |
| R2L2 M 60L70 WR L740 CL1 | 13.26 | 96266458 | |
| R2L2 M 96L50 WR 740 CL1 HT | 13.69 | 96269313 | |
| R2L2 M 96L50V2 WR 740 CL1 | 13.64 | 96266732 | |
| R2L2 M 72L70V2 WR L740 CL1 | 13.53 | 96266551 | |
| R2L2 M 84L70 WR 740 CL1 | 13.58 | 96266663 | |
| R2L2 M 84L70 WR 740 CL1 HT | 13.63 | 96269303 | |
| R2L2 M 96L70 WR 740 CL1 | 14.45 | 96266770 | |
| R2L2 M 96L90 WR 740 CL1 | 14.50 | 96274639 | |
| R2L2 Medium, Extra wide street optic | | | |
| R2L2 M 60L35 EWS 740 CL1 | 12.86 | 96268291 | |
| R2L2 M 72L35 EWS 740 CL1 | 12.83 | 96268320 | |
| R2L2 M 84L35 EWS 740 CL1 | 13.29 | 96268349 | |
| R2L2 M 60L50 EWS 740 CL1 | 13.26 | 96268305 | |
| R2L2 M 96L35 EWS 740 CL1 | 13.34 | 96268373 | |
| R2L2 M 72L50 EWS 740 CL1 | 13.24 | 96268334 | |
| R2L2 M 84L50 EWS 740 CL1 | 13.29 | 96268358 | |
| R2L2 M 60L70 EWS 740 CL1 | 13.26 | 96268312 | |
| R2L2 M 96L50V2 EWS 740 CL1 | 13.64 | 96268381 | |
| R2L2 M 72L70V2 EWS 740 CL1 | 13.53 | 96268341 | RLM7270EWS |
| R2L2 M 84L70 EWS 740 CL1 | 13.58 | 96268365 | |
| R2L2 M 96L70 EWS 740 CL1 | 14.45 | 96268388 | |
| R2L2 M 96L90 EWS 740 CL1 | 14.50 | 96274632 | |
| R2L2 M 96L90 EWS 740 CL2 | 14.30 | 96274643 | |
| R2L2 Medium, Extra wide street comfort optic | | | |
| R2L2 M 96L90 EWSC 740 CL1 | 14.50 | 96274633 | |
| R2L2 Medium, 900mA | | | |
| R2L2 M 96L90 EWR 740 CL1 | 14.50 | 96274631 | |
| R2L2 M 96L90 SC 740 CL1 | 14.50 | 96274638 | |

To make reading our ordering guides easier please use the SAP description key fold out, inside the back cover. For more information please visit our website www.thornlighting.co.uk and simply search for our products.





www.thornlighting.co.uk/URBA
www.thornlighting.ie/URBA



Exclusively designed LED lantern
by world renowned architects,
city planners and designers
Wilmotte & Industries



LAMPS

 LED

28-178W

STANDARDS



EN 60598

IP66

IK09



- Unique signature at day and night thanks to an optical system designed with special care for comfort
- Outstanding versatility: 9 optics, lumen packages up to 15,000 Llm, 2 sizes, 3 mounting options to fulfill a wide scope of projects (new and renovation) from S5 to Me2. Please refer to page 205 for the Thorn R-PEC[®] LED options
- Latest generation LED technology with integrated controls to minimise energy and maintenance costs

MATERIALS/FINISH

Luminaire:

Body: die cast aluminium - two options: dark grey (close to RAL 7043) or black (close to RAL 9005) textured finish

Glass: tempered flat glass or dichroic flat glass (5mm). Prismatic glass on request

Frame: aluminium - powder polycarbonate, metallised aluminium and varnish

Deflector: ABS anti-UV white (RAL 9016)

Brackets with coordinated columns: Painted galvanised steel, dark grey or black textured finish.

Two diameter conical columns dedicated to Urba post top lantern: Painted aluminium, dark grey or black textured finish

INSTALLATION/MOUNTING

Luminaire: Supplied complete and ready to install, in a single box. Pre-wired post-top versions with 8m (small version) or 10m (large version) H07RN-F cable. The following options are available: side-entry mounting Ø60mm with adjustable tilt angles: 0°, -5°, -10°, post-top mounting Ø60mm or Ø76mm, spigot length 100mm. Weight: 12kg (small versions) and 17kg (large version)

Brackets with coordinated columns: Dedicated range of columns and brackets. Recommended heights for Urba small: 4 to 6m, for Urba large: 6 to 8m. Columns delivered with anchoring bolts. Aluminium columns (diameters: internal 76mm, external 96mm - internal 60mm and external 81mm) with flange mountings: 200x200mm. Galvanised steel columns with flange mountings: 300x300mm

SPECIFICATION

To specify Urba luminaire state: Highly designed urban street lantern with 2 sizes, 7 mounting options, 3 enclosures, 9 light distributions with 2 dedicated optics to comfort (G6). Efficient (up to 100 Llm/W) R-PEC optic. Side entry and post top mountings, 60mm and 76mm diameters, with tilt adjustments. Wide range of intelligent lighting control solutions from stand alone dimming to remote control. As Thorn Urba

To specify Urba brackets and columns state: Wide range of coordinated short and long galvanised steel brackets, diameter 76mm top. Cylindrical conical galvanised steel columns up to 8m. Dark grey and black textured finish. 2 diameter aluminium cylindrical conical columns up to 6m. Dark grey and black textured finish. As Thorn Urba brackets and columns



www.thornlighting.co.uk/URBA
www.thornlighting.ie/URBA



Exclusively designed LED lantern
 by world renowned architects,
 city planners and designers
 Wilmotte & Industries

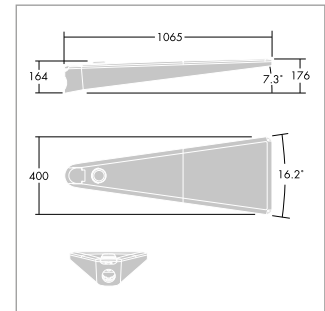
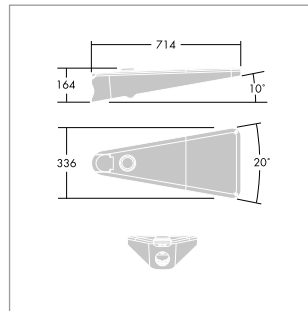
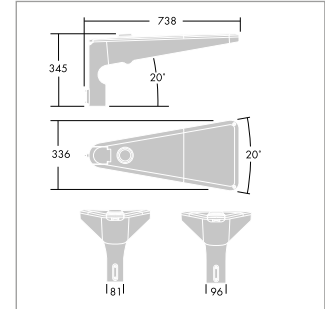
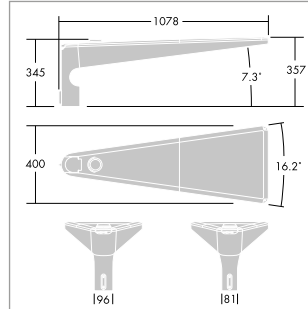


ORDERING GUIDE

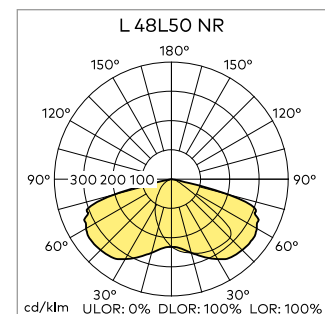
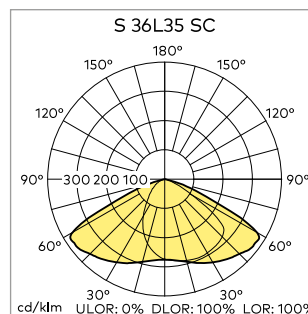
| Description | Wt (kg) | SAP Code |
|--|---------|----------|
| Urba S RWET | | |
| URBA S 36L70 RWET ANT BP CL1 MLE L740 | 10.50 | 96269786 |
| Urba S NR | | |
| URBA S 24L35 NR ANT BP CL1 8M MTP76 L740 | 10.50 | 96269824 |
| URBA S 24L35 NR ANT BP CL1 MLE L740 | 10.50 | 96269769 |
| URBA S 24L50 NR ANT BP CL1 8M MTP76 L740 | 10.50 | 96269827 |
| URBA S 24L50 NR ANT BP CL1 MLE L740 | 10.50 | 96269772 |
| URBA S 36L35 NR ANT BP CL1 8M MTP76 L740 | 10.50 | 96269825 |
| URBA S 36L35 NR ANT BP CL1 MLE L740 | 10.50 | 96269770 |
| URBA S 24L70 NR ANT BP CL1 8M MTP76 L740 | 10.50 | 96269830 |
| URBA S 24L70 NR ANT BP CL1 MLE L740 | 10.50 | 96269775 |
| URBA S 36L50 NR ANT BP CL1 8M MTP76 L740 | 10.50 | 96269828 |
| URBA S 36L50 NR ANT BP CL1 MLE L740 | 10.50 | 96269773 |
| URBA S 36L70 NR ANT BP CL1 8M MTP76 L740 | 10.50 | 96269831 |
| URBA S 36L70 NR ANT BP CL1 MLE L740 | 10.50 | 96269776 |
| URBA S 36L70 NR ANT CL1 MLE L740 | 10.50 | 96269850 |
| Urba S WR | | |
| URBA S 24L35 WR ANT BP CL1 8M MTP76 L740 | 10.50 | 96269833 |
| URBA S 24L35 WR ANT BP CL1 MLE L740 | 10.50 | 96269778 |
| URBA S 24L50 WR ANT BP CL1 8M MTP76 L740 | 10.50 | 96269836 |
| URBA S 24L50 WR ANT BP CL1 MLE L740 | 10.50 | 96269781 |
| URBA S 36L35 WR ANT BP CL1 MLE L740 | 10.50 | 96269779 |
| URBA S 36L35 WR ANT BP CL1 8M MTP76 L740 | 10.50 | 96269834 |
| URBA S 24L70 WR ANT BP CL1 8M MTP76 L740 | 10.50 | 96269839 |
| URBA S 24L70 WR ANT BP CL1 MLE L740 | 10.50 | 96269784 |
| URBA S 36L50 WR ANT BP CL1 8M MTP76 L740 | 10.50 | 96269837 |
| URBA S 36L50 WR ANT BP CL1 MLE L740 | 10.50 | 96269782 |
| URBA S 36L70 WR ANT BP CL1 8M MTP76 L740 | 10.50 | 96269840 |
| URBA S 36L70 WR ANT BP CL1 MLE L740 | 10.50 | 96269785 |

| Description | Wt (kg) | SAP Code |
|--|---------|----------|
| Urba S WSC | | |
| URBA S 24L35 WSC ANT BP CL1 8M MTP76 740 | 10.50 | 96269842 |
| URBA S 24L35 WSC ANT BP CL1 MLE L740 | 10.50 | 96269788 |
| URBA S 24L50 WSC ANT BP CL1 8M MTP76 740 | 10.50 | 96269845 |
| URBA S 24L50 WSC ANT BP CL1 MLE L740 | 10.50 | 96269791 |
| URBA S 36L35 WSC ANT BP CL1 8M MTP76 740 | 10.50 | 96269843 |
| URBA S 36L35 WSC ANT BP CL1 MLE L740 | 10.50 | 96269789 |
| URBA S 24L70 WSC ANT BP CL1 8M MTP76 740 | 10.50 | 96269848 |
| URBA S 24L70 WSC ANT BP CL1 MLE L740 | 10.50 | 96269794 |
| URBA S 36L50 WSC ANT BP CL1 8M MTP76 740 | 10.50 | 96269846 |
| URBA S 36L50 WSC ANT BP CL1 MLE L740 | 10.50 | 96269792 |
| URBA S 36L70 WSC ANT BP CL1 8M MTP76 740 | 10.50 | 96269849 |
| URBA S 36L70 WSC ANT BP CL1 MLE L740 | 10.50 | 96269795 |
| Urba S SC | | |
| URBA S 24L35 SC ANT BP CL1 MLE L740 | 10.50 | 96269797 |
| URBA S 24L50 SC ANT BP CL1 MLE L740 | 10.50 | 96269800 |
| URBA S 36L35 SC ANT BP CL1 8M MTP76 740 | 10.50 | 96270862 |
| URBA S 36L35 SC ANT BP CL1 MLE L740 | 10.50 | 96269798 |
| URBA S 36L35 SC BK BP CL1 8M MTP76 740 | 10.50 | 96270860 |
| URBA S 24L70 SC ANT BP CL1 MLE L740 | 10.50 | 96269803 |
| URBA S 36L50 SC ANT BP CL1 MLE L740 | 10.50 | 96269801 |
| URBA S 36L70 SC ANT BP CL1 MLE L740 | 10.50 | 96269804 |
| Urba S PWC | | |
| URBA S 24L35 PWC ANT BP CL1 MLE L740 | 10.50 | 96269806 |
| URBA S 24L50 PWC ANT BP CL1 MLE L740 | 10.50 | 96269809 |
| URBA S 36L35 PWC ANT BP CL1 MLE L740 | 10.50 | 96269807 |
| URBA S 36L35 PWC BK BP CL1 8M MTP76 740 | 10.50 | 96270076 |
| URBA S 24L70 PWC ANT BP CL1 MLE L740 | 10.50 | 96269812 |
| URBA S 36L50 PWC ANT BP CL1 MLE L740 | 10.50 | 96269810 |
| URBA S 36L70 PWC ANT BP CL1 MLE L740 | 10.50 | 96269813 |

| Description | Wt (kg) | SAP Code |
|--|---------|----------|
| Urba L RC | | |
| URBA L 48L35 RC ANT BP CL1 10M MTP76 L74 | 16.00 | 96270021 |
| URBA L 48L35 RC ANT BP CL1 MLE L740 | 16.00 | 96270002 |
| URBA L 48L50 RC ANT BP CL1 10M MTP76 L74 | 16.00 | 96270024 |
| URBA L 48L50 RC ANT BP CL1 MLE L740 | 16.00 | 96270005 |
| URBA L 72L35 RC ANT BP CL1 10M MTP76 L74 | 16.00 | 96270022 |
| URBA L 72L35 RC ANT BP CL1 MLE L740 | 16.00 | 96270003 |
| URBA L 84L35 RC ANT BP CL1 10M MTP76 L74 | 16.00 | 96270023 |
| URBA L 84L35 RC ANT BP CL1 MLE L740 | 16.00 | 96270004 |
| URBA L 48L70 RC ANT BP CL1 10M MTP76 L74 | 16.00 | 96270027 |
| URBA L 48L70 RC ANT BP CL1 MLE L740 | 16.00 | 96270008 |
| URBA L 72L50 RC ANT BP CL1 10M MTP76 L74 | 16.00 | 96270025 |
| URBA L 72L50 RC ANT BP CL1 MLE L740 | 16.00 | 96270006 |
| URBA L 84L50 RC ANT BP CL1 10M MTP76 L74 | 16.00 | 96270026 |
| URBA L 84L50 RC ANT BP CL1 MLE L740 | 16.00 | 96270007 |
| URBA L 60L70 RC ANT BP CL1 10M MTP76 L74 | 16.00 | 96270053 |
| URBA L 60L70 RC ANT BP CL1 MLE L740 | 16.00 | 96270051 |
| URBA L 72L70V2 RC ANT BP CL1 10M MTP76 740 | 16.00 | 96270028 |
| URBA L 72L70V2 RC ANT BP CL1 MLE L740 | 16.00 | 96270009 |
| URBA L 84L70 RC ANT BP CL1 10M MTP76 L74 | 16.00 | 96270029 |
| URBA L 84L70 RC ANT BP CL1 MLE L740 | 16.00 | 96270010 |
| Urba L NR | | |
| URBA L 48L35 NR ANT BP CL1 10M MTP76 L74 | 16.00 | 96270012 |
| URBA L 48L35 NR ANT BP CL1 MLE L740 | 16.00 | 96269993 |
| URBA L 48L50 NR ANT BP CL1 10M MTP76 L74 | 16.00 | 96270015 |
| URBA L 48L50 NR ANT BP CL1 MLE L740 | 16.00 | 96269996 |
| URBA L 72L35 NR ANT BP CL1 10M MTP76 L74 | 16.00 | 96270013 |
| URBA L 72L35 NR ANT BP CL1 MLE L740 | 16.00 | 96269994 |
| URBA L 84L35 NR ANT BP CL1 10M MTP76 L74 | 16.00 | 96270014 |
| URBA L 84L35 NR ANT BP CL1 MLE L740 | 16.00 | 96269995 |
| URBA L 48L70 NR ANT BP CL1 10M MTP76 L74 | 16.00 | 96270018 |
| URBA L 48L70 NR ANT BP CL1 MLE L740 | 16.00 | 96269999 |
| URBA L 48L70 NR ANT CL1 HT MLE L740 | 16.00 | 96271390 |
| URBA L 48L70 NR ANT CL1 HT10M TP76 740 | 16.00 | 96271382 |
| URBA L 72L50 NR ANT BP CL1 10M MLE L740 | 16.00 | 96271355 |
| URBA L 72L50 NR ANT BP CL1 10M MTP76 L74 | 16.00 | 96270016 |
| URBA L 72L50 NR ANT BP CL1 MLE L740 | 16.00 | 96269997 |
| URBA L 72L50 NR ANT CL1 HT MLE L740 | 16.00 | 96271375 |
| URBA L 72L50 NR ANT CL1 HT10M TP76 740 | 16.00 | 96271380 |
| URBA L 84L50 NR ANT BP 10KV CL1 MLE L740 | 16.00 | 96269990 |
| URBA L 84L50 NR ANT BP CL1 10M MTP76 L74 | 16.00 | 96270017 |
| URBA L 84L50 NR ANT BP CL1 MLE L740 | 16.00 | 96269998 |
| URBA L 84L50 NR ANT CL1 HT10M TP76 740 | 16.00 | 96271381 |
| URBA L 60L70 NR ANT BP CL1 10M MTP76 L74 | 16.00 | 96270052 |
| URBA L 60L70 NR ANT BP CL1 MLE L740 | 16.00 | 96270050 |
| URBA L 60L70 NR ANT CL1 HT MLE L740 | 16.00 | 96271386 |
| URBA L 60L70 NR ANT CL1 HT10M TP76 740 | 16.00 | 96271388 |
| URBA L 72L70V2 NR ANT BP CL1 10M MTP76 740 | 16.00 | 96270019 |
| URBA L 72L70V2 NR ANT BP CL1 MLE L740 | 16.00 | 96270000 |
| URBA L 84L70 NR ANT BP CL1 10M MTP76 L74 | 16.00 | 96270020 |
| URBA L 84L70 NR ANT BP CL1 MLE L740 | 16.00 | 96270001 |
| URBA L 84L70 NR ANT BP PM CL1 10MTP76740 | 16.00 | 96270033 |
| URBA L 84L70 NR ANT CL1 MLE L740 | 16.00 | 96270030 |
| URBA L 84L70 NR ANT CLO CL1 MLE L740 | 16.00 | 96270031 |
| URBA L 84L70 NR ANT PM CL1 MLE L740 | 16.00 | 96270032 |
| Urba L WSC | | |
| URBA L 72L50 WSC ANT BP CL1 MLE L740 | 16.00 | 96270011 |



To make reading our ordering guides easier please use the SAP description key fold out, inside the back cover. For more information please visit our website www.thornlighting.co.uk and simply search for our products.





www.thornlighting.co.uk/CTEQ
www.thornlighting.ie/CTEQ



- Offers the best balance between cost of ownership and performance. Fitted with R-PEC[®] optic to bring safe and efficient light to residential streets and high traffic roads
- Available in 2 sizes up to 17klm, 12 precise light distributions and versatile installation possibilities - CiviTEQ adapts to any installation layout. Please refer to page 205 for the Thorn R-PEC[®] LED options
- Comprehensive range of controls incorporating the Bi-Power Switch to activate or deactivate dimming onsite
- Compact and lightweight luminaire for easy handling and installation with a low windage (CiviTEQ S: 0.77m², CiviTEQ L: 0.115m²)

MATERIALS/FINISH

Performance version: Canopy: die-cast aluminium, powder coated grey RAL 9006 (other RAL colours on request) with rear clip in stainless steel
 Basic version: Canopy: reinforced plastic, RAL 9006 with screws
 Body: die-cast aluminium unpainted
 Spigot: plain die-cast aluminium
 Enclosure: toughened glass
 Screws: stainless steel

INSTALLATION/MOUNTING

CL1: Suitable for mounting on top Ø76mm or side Ø60mm or Ø42mm.
 CL2: Suitable for mounting on top Ø76mm or side Ø60mm (MA34/42mm with accessory).
 Variable tilting setting: 0° to +10° on post top mounting and -20° to 0° on lateral mounting, in 5° steps.
 Tilt adaptor 0° with bracket tilted at -45° as accessory.
 Cable gland for Ø8 to 12mm cable.
 Delivered ready to install, complete with factory fitted integral gear tray, all supplied in a single carton.

SPECIFICATION

To specify state:
 Unobtrusive, cost effective road lighting solution with 12 precise lighting distributions, fully versatile installation possibilities, low maintenance requirements and no need to replace LED driver. CMS with Radio Frequency and Powerline system, is also compatible with other controls systems. Choice of options and accessories: 10KV, automatic disconnection, BPS, LRT, photocell and external louvres.
 As Thorn CiviTEQ



LAMPS

LED

15-152W

STANDARDS



ORDERING GUIDE

Supplied complete with LED.

| Description | Wt (kg) | SAP Code |
|--|---------|----------|
| CivITEQ Small, Narrow road optic | | |
| CQ 12L35-740 NR BPS CL1 M42 | 5.70 | 96643264 |
| CQ 12L50-740 NR BPS CL1 M42 | 5.70 | 96643265 |
| CQ 12L70-740 NR BPS CL1 M42 | 5.70 | 96643266 |
| CQ 24L35-740 NR BPS CL1 M42 | 5.70 | 96643268 |
| CQ 24L50-740 NR BPS CL1 M42 | 5.70 | 96643269 |
| CQ 36L35-740 NR BPS CL1 M42 | 5.70 | 96643272 |
| CQ 24L70-740 NR BPS CL1 M42 | 5.70 | 96643270 |
| CQ 36L50-740 NR BPS CL1 M42 | 5.70 | 96643273 |
| CQ 36L70-740 NR BPS CL1 M42 | 5.70 | 96643274 |
| CivITEQ Small, Narrow road optic, configured products | | |
| CQ 12L35-740 NR BPS CL1 M76 | 5.70 | 96643285 |
| CQ 12L50-740 NR BPS CL1 M76 | 5.70 | 96643286 |
| CQ 12L70-740 NR CLO BPS PMS CL1 M42 | 5.60 | 92900523 |
| CQ 12L70-740 NR BPS CL1 M76 | 5.70 | 96643287 |
| CQ 24L35-740 NR BPS 10K CL1 M42 | 5.60 | 92900342 |
| CQ 24L35-740 NR CL1 BPS M76 | 5.70 | 96643289 |
| CQ 24L50-740 NR BPS CL1 M76 | 5.70 | 96643290 |
| CQ 24L50-740 NR BPS CL1 PMS MLE42E | 5.70 | 96627557 |
| CQ 36L35-740 NR BPS CL1 M76 | 5.70 | 96643293 |
| CQ 24L70-740 NR BPS CL1 M76 | 5.70 | 96643291 |
| CQ 24L70-740 NR BPS CL1 PN MA42 ADC 10KV | 5.70 | 96627846 |
| CQ 36L50-740 NR BPS CL1 M76 | 5.70 | 96643294 |
| CQ 36L70-740 NR BPS CL1 M76 | 5.70 | 96643295 |
| CQ 36L70-740 NR BPS CL1 PM M60 | 5.70 | 96643325 |
| CivITEQ Small, Wide street optic | | |
| CQ 12L35-740 WS BPS CL1 M42 | 5.40 | 96665384 |
| CQ 12L50-740 WS BPS CL1 M42 | 5.40 | 96665385 |
| CQ 12L70-740 WS BPS CL1 M42 | 5.40 | 96665386 |
| CQ 24L35-740 WS BPS CL1 M42 | 5.40 | 96665387 |
| CQ 24L50-740 WS BPS CL1 M42 | 5.40 | 96665388 |
| CQ 36L35-740 WS BPS CL1 M42 | 5.50 | 96665390 |
| CQ 24L70-740 WS BPS CL1 M42 | 5.40 | 96665389 |
| CQ 36L50-740 WS BPS CL1 M42 | 5.50 | 96665391 |
| CQ 36L70-740 WS BPS CL1 M42 | 5.60 | 96665392 |
| CivITEQ Small, Wide street optic, configured products | | |
| CQ 24L35-740 WS BPS CL1 PN M76 | 5.50 | 96628335 |
| CQ 36L35-740 WS BPS CL1 PN M76 | 5.60 | 96628337 |

| Description | Wt (kg) | SAP Code |
|---|---------|----------|
| CivITEQ Small, Pedestrian walkway and cycle path optic | | |
| CQ 12L35-740 PWC BPS CL1 M42 | 5.40 | 96665393 |
| CQ 12L50-740 PWC BPS CL1 M42 | 5.40 | 96665394 |
| CQ 12L70-740 PWC BPS CL1 M42 | 5.40 | 96665395 |
| CQ 24L35-740 PWC BPS CL1 M42 | 5.40 | 96665396 |
| CQ 24L50-740 PWC BPS CL1 M42 | 5.40 | 96665397 |
| CQ 36L35-740 PWC BPS CL1 M42 | 5.60 | 96665399 |
| CQ 24L70-740 PWC BPS CL1 M42 | 5.40 | 96665398 |
| CQ 36L50-740 PWC BPS CL1 M42 | 5.50 | 96665400 |
| CQ 36L70-740 PWC BPS CL1 M42 | 5.60 | 96665401 |
| CivITEQ Small, Wide street comfort optic | | |
| CQ 12L35-740 WSC BPS CL1 M42 | 5.40 | 96665402 |
| CQ 12L50-740 WSC BPS CL1 M42 | 5.40 | 96665403 |
| CQ 12L70-740 WSC BPS CL1 M42 | 5.40 | 96665404 |
| CQ 24L35-740 WSC BPS CL1 M42 | 5.40 | 96665405 |
| CQ 24L50-740 WSC BPS CL1 M42 | 5.40 | 96665406 |
| CQ 36L35-740 WSC BPS CL1 M42 | 5.50 | 96665408 |
| CQ 24L70-740 WSC BPS CL1 M42 | 5.40 | 96665407 |
| CQ 36L50-740 WSC BPS CL1 M42 | 5.50 | 96628250 |
| CQ 36L70-740 WSC BPS CL1 M42 | 5.60 | 96665410 |
| CivITEQ Small, Wet road optic | | |
| CQ 12L35-740 RWET BPS CL1 M42 | 5.40 | 96665411 |
| CQ 12L50-740 RWET BPS CL1 M42 | 5.40 | 96665412 |
| CQ 12L70-740 RWET BPS CL1 M42 | 5.40 | 96665413 |
| CQ 24L35-740 RWET BPS CL1 M42 | 5.40 | 96665414 |
| CQ 24L50-740 RWET BPS CL1 M42 | 5.40 | 96665415 |
| CQ 36L35-740 RWET BPS CL1 M42 | 5.50 | 96665417 |
| CQ 24L70-740 RWET BPS CL1 M42 | 5.40 | 96665416 |
| CQ 36L50-740 RWET BPS CL1 M42 | 5.50 | 96665418 |
| CQ 36L70-740 RWET BPS CL1 M42 | 5.60 | 96665419 |
| CivITEQ Small, Road comfort optic | | |
| CQ 12L35-740 RC BPS CL1 M42 | 5.40 | 96665420 |
| CQ 12L50-740 RC BPS CL1 M42 | 5.40 | 96665421 |
| CQ 12L70-740 RC BPS CL1 M42 | 5.40 | 96665422 |
| CQ 24L35-740 RC BPS CL1 M42 | 5.40 | 96665423 |
| CQ 24L50-740 RC BPS CL1 M42 | 5.40 | 96665424 |
| CQ 36L35-740 RC BPS CL1 M42 | 5.50 | 96665426 |
| CQ 24L70-740 RC BPS CL1 M42 | 5.40 | 96665425 |
| CQ 36L50-740 RC BPS CL1 M42 | 5.50 | 96665427 |
| CQ 36L70-740 RC BPS CL1 M42 | 5.60 | 96665428 |



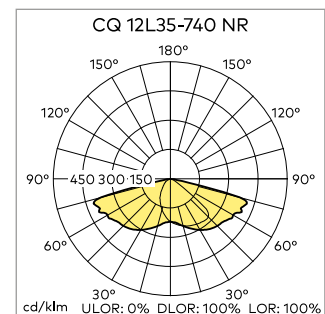
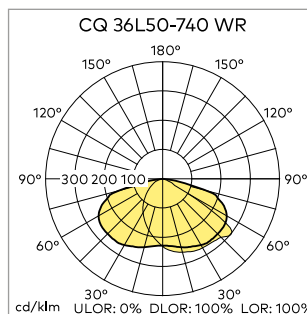
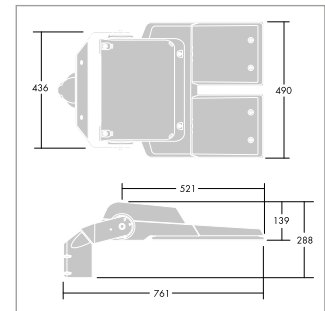
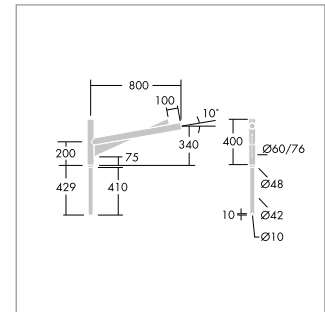
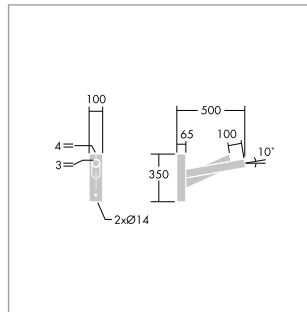
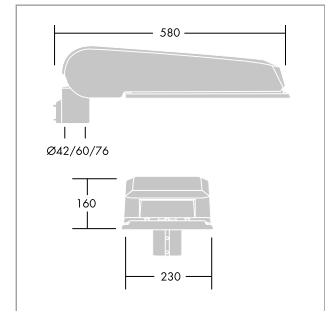
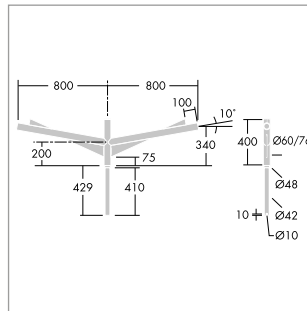
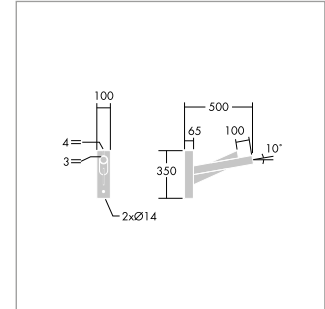
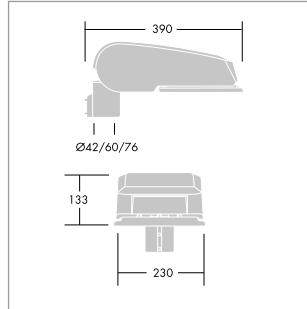
www.thornlighting.co.uk/CTEQ
www.thornlighting.ie/CTEQ

| Description | Wt (kg) | SAP Code |
|--|---------|----------|
| CiviTEQ Small, Wide road optic | | |
| CQ 12L35-740 WR BPS CL1 M42 | 5.40 | 96665429 |
| CQ 12L50-740 WR BPS CL1 M42 | 5.40 | 96665430 |
| CQ 12L70-740 WR BPS CL1 M42 | 5.40 | 96665431 |
| CQ 24L35-740 WR BPS CL1 M42 | 5.40 | 96665432 |
| CQ 24L50-740 WR BPS CL1 M42 | 5.40 | 96665433 |
| CQ 36L35-740 WR BPS CL1 M42 | 5.50 | 96665435 |
| CQ 24L70-740 WR BPS CL1 M42 | 5.40 | 96665434 |
| CQ 36L50-740 WR BPS CL1 M42 | 5.50 | 96665436 |
| CQ 36L70-740 WR BPS CL1 M42 | 5.60 | 96665437 |
| CiviTEQ Small, Extra wide street optic | | |
| CQ 12L35-740 EWS BPS CL1 M42 | 5.40 | 96665438 |
| CQ 12L50-740 EWS BPS CL1 M42 | 5.40 | 96665439 |
| CQ 12L70-740 EWS BPS CL1 M42 | 5.40 | 96665440 |
| CQ 24L35-740 EWS BPS CL1 M42 | 5.40 | 96665441 |
| CQ 24L50-740 EWS BPS CL1 M42 | 5.40 | 96665442 |
| CQ 36L35-740 EWS BPS CL1 M42 | 5.50 | 96665444 |
| CQ 24L70-740 EWS BPS CL1 M42 | 5.40 | 96665443 |
| CQ 36L50-740 EWS BPS CL1 M42 | 5.50 | 96665445 |
| CQ 36L70-740 EWS BPS CL1 M42 | 5.60 | 96665446 |
| CiviTEQ Small, Extra wide street optic, configured products | | |
| CQ 12L70-740 EWS BPS CL1 M76 | 5.50 | 96628323 |
| CQ 36L35-740 EWS BPS CL1 PN M42 | 5.50 | 96628480 |
| CQ 24L70-740 EWS BPS CL1 M76 | 5.40 | 96628324 |
| CiviTEQ Small, Street comfort optic | | |
| CQ 12L35-740 SC BPS CL1 M42 | 5.40 | 96665447 |
| CQ 12L50-740 SC BPS CL1 M42 | 5.40 | 96665448 |
| CQ 12L70-740 SC BPS CL1 M42 | 5.40 | 96665449 |
| CQ 24L35-740 SC BPS CL1 M42 | 5.40 | 96665450 |
| CQ 24L50-740 SC BPS CL1 M42 | 5.40 | 96665451 |
| CQ 36L35-740 SC BPS CL1 M42 | 5.50 | 96665453 |
| CQ 24L70-740 SC BPS CL1 M42 | 5.40 | 96665452 |
| CQ 36L50-740 SC BPS CL1 M42 | 5.50 | 96665454 |
| CQ 36L70-740 SC BPS CL1 M42 | 5.60 | 96665455 |
| CiviTEQ Small, Extra wide street comfort optic | | |
| CQ 12L35-740 EWSC BPS CL1 M42 | 5.40 | 96665456 |
| CQ 12L50-740 EWSC BPS CL1 M42 | 5.40 | 96665457 |
| CQ 12L70-740 EWSC BPS CL1 M42 | 5.40 | 96665458 |
| CQ 24L35-740 EWSC BPS CL1 M42 | 5.40 | 96665459 |
| CQ 24L50-740 EWSC BPS CL1 M42 | 5.40 | 96665460 |
| CQ 36L35-740 EWSC BPS CL1 M42 | 5.50 | 96665462 |
| CQ 24L70-740 EWSC BPS CL1 M42 | 5.40 | 96665461 |
| CQ 36L50-740 EWSC BPS CL1 M42 | 5.50 | 96665463 |
| CQ 36L70-740 EWSC BPS CL1 M42 | 5.60 | 96665464 |
| CiviTEQ Small, Extra wide road optic | | |
| CQ 12L35-740 EWR BPS CL1 M42 | 5.40 | 96665465 |
| CQ 12L50-740 EWR BPS CL1 M42 | 5.40 | 96665466 |
| CQ 12L70-740 EWR BPS CL1 M42 | 5.40 | 96665467 |
| CQ 24L35-740 EWR BPS CL1 M42 | 5.40 | 96665468 |
| CQ 24L50-740 EWR BPS CL1 M42 | 5.40 | 96665469 |
| CQ 36L35-740 EWR BPS CL1 M42 | 5.50 | 96665471 |
| CQ 24L70-740 EWR BPS CL1 M42 | 5.40 | 96665470 |
| CQ 36L50-740 EWR BPS CL1 M42 | 5.50 | 96665472 |
| CQ 36L70-740 EWR BPS CL1 M42 | 5.60 | 96665473 |
| CiviTEQ Large, Narrow road optic | | |
| CQ 48L35-740 NR BPS CL1 M42 | 8.40 | 96643275 |
| CQ 60L35-740 NR BPS CL1 M42 | 8.45 | 96643278 |
| CQ 48L50-740 NR BPS CL1 M42 | 8.40 | 96643276 |
| CQ 72L35-740 NR BPS CL1 M42 | 9.20 | 96643281 |
| CQ 60L50-740 NR BPS CL1 M42 | 8.45 | 96643279 |
| CQ 48L70-740 NR BPS CL1 M42 | 9.10 | 96643277 |
| CQ 72L50-740 NR BPS CL1 M42 | 9.20 | 96643282 |
| CQ 60L70-740 NR BPS CL1 M42 | 9.14 | 96643280 |
| CQ 72L70-740 NR BPS CL1 M42 | 9.20 | 96643283 |
| CiviTEQ Large, Narrow road optic, configured products | | |
| CQ 48L35-740 NR BPS CL1 M76 | 8.59 | 96643296 |
| CQ 60L35-740 NR BPS CL1 M76 | 8.63 | 96643299 |
| CQ 48L50-740 NR BPS CL1 M76 | 8.59 | 96643297 |
| CQ 72L35-740 NR BPS CL1 M76 | 9.38 | 96643302 |
| CQ 60L50-740 NR BPS CL1 M76 | 8.63 | 96643300 |
| CQ 48L70-740 NR BPS CL1 M76 | 9.28 | 96643298 |
| CQ 72L50-740 NR BPS CL1 M76 | 9.38 | 96643303 |
| CQ 60L70-740 NR BPS CL1 M76 | 9.32 | 96643301 |
| CQ 72L70-740 NR BPS CL1 M76 | 9.38 | 96643304 |

| Description | Wt (kg) | SAP Code |
|---|---------|----------|
| CiviTEQ Large, Wide street optic | | |
| CQ 48L35-740 WS BPS CL1 M42 | 8.40 | 96665483 |
| CQ 48L35-740 WS BPS CL1 PN M76 | 8.51 | 96628336 |
| CQ 60L35-740 WS BPS CL1 M42 | 8.45 | 96665486 |
| CQ 48L50-740 WS BPS CL1 M42 | 8.40 | 96665484 |
| CQ 72L35-740 WS BPS CL1 M42 | 9.20 | 96665489 |
| CQ 72L35-740 PWC BPS CL1 PN M76 | 9.30 | 96628338 |
| CQ 60L50-740 WS BPS CL1 M42 | 8.45 | 96665487 |
| CQ 48L70-740 WS BPS CL1 M42 | 9.10 | 96665485 |
| CQ 72L50-740 WS BPS CL1 M42 | 9.20 | 96665490 |
| CQ 60L70-740 WS BPS CL1 M42 | 9.14 | 96665488 |
| CQ 72L70-740 WS BPS CL1 M42 | 9.20 | 96665491 |
| CiviTEQ Large, Pedestrian walkway and cycle path optic | | |
| CQ 48L35-740 PWC BPS CL1 M42 | 8.40 | 96665492 |
| CQ 60L35-740 PWC BPS CL1 M42 | 8.45 | 96665495 |
| CQ 48L50-740 PWC BPS CL1 M42 | 8.40 | 96665493 |
| CQ 72L35-740 PWC BPS CL1 M42 | 9.20 | 96665498 |
| CQ 60L50-740 PWC BPS CL1 M42 | 8.45 | 96665496 |
| CQ 48L70-740 PWC BPS CL1 M42 | 9.10 | 96665494 |
| CQ 72L50-740 PWC BPS CL1 M42 | 9.20 | 96665499 |
| CQ 60L70-740 PWC BPS CL1 M42 | 9.14 | 96665497 |
| CQ 72L70-740 PWC BPS CL1 M42 | 9.20 | 96665500 |
| CiviTEQ Large, Wide street comfort optic | | |
| CQ 48L35-740 WSC BPS CL1 M42 | 8.40 | 96665501 |
| CQ 60L35-740 WSC BPS CL1 M42 | 8.45 | 96665504 |
| CQ 48L50-740 WSC BPS CL1 M42 | 8.40 | 96665502 |
| CQ 72L35-740 WSC BPS CL1 M42 | 9.20 | 96665507 |
| CQ 60L50-740 WSC BPS CL1 M42 | 8.45 | 96665505 |
| CQ 48L70-740 WSC BPS CL1 M42 | 9.10 | 96665503 |
| CQ 72L50-740 WSC BPS CL1 M42 | 9.20 | 96665508 |
| CQ 60L70-740 WSC BPS CL1 M42 | 9.14 | 96665506 |
| CQ 72L70-740 WSC BPS CL1 M42 | 9.20 | 96665509 |
| CiviTEQ Large, Wet road optic | | |
| CQ 48L35-740 RWET BPS CL1 M42 | 8.40 | 96665510 |
| CQ 60L35-740 RWET BPS CL1 M42 | 8.45 | 96665513 |
| CQ 48L50-740 RWET BPS CL1 M42 | 8.40 | 96665511 |
| CQ 72L35-740 RWET BPS CL1 M42 | 9.20 | 96665516 |
| CQ 60L50-740 RWET BPS CL1 M42 | 8.45 | 96665514 |
| CQ 48L70-740 RWET BPS CL1 M42 | 9.10 | 96665512 |
| CQ 72L50-740 RWET BPS CL1 M42 | 9.20 | 96665517 |
| CQ 60L70-740 RWET BPS CL1 M42 | 9.14 | 96665515 |
| CQ 72L70-740 RWET BPS CL1 M42 | 9.20 | 96665518 |
| CiviTEQ Large, Road comfort optic | | |
| CQ 48L35-740 RC BPS CL1 M42 | 8.40 | 96665519 |
| CQ 60L35-740 RC BPS CL1 M42 | 8.45 | 96665522 |
| CQ 48L50-740 RC BPS CL1 M42 | 8.40 | 96665520 |
| CQ 72L35-740 RC BPS CL1 M42 | 9.20 | 96665525 |
| CQ 60L50-740 RC BPS CL1 M42 | 8.45 | 96665523 |
| CQ 48L70-740 RC BPS CL1 M42 | 9.10 | 96665521 |
| CQ 72L50-740 RC BPS CL1 M42 | 9.20 | 96665526 |
| CQ 60L70-740 RC BPS CL1 M42 | 9.14 | 96665524 |
| CQ 72L70-740 RC BPS CL1 M42 | 9.20 | 96665527 |
| CiviTEQ Large, Wide road optic | | |
| CQ 48L35-740 WR BPS CL1 M42 | 8.40 | 96665528 |
| CQ 60L35-740 WR BPS CL1 M42 | 8.45 | 96665531 |
| CQ 48L50-740 WR BPS CL1 M42 | 8.40 | 96665529 |
| CQ 72L35-740 WR BPS CL1 M42 | 9.20 | 96665534 |
| CQ 60L50-740 WR BPS CL1 M42 | 8.45 | 96665532 |
| CQ 48L70-740 WR BPS CL1 M42 | 9.10 | 96665530 |
| CQ 72L50-740 WR BPS CL1 M42 | 9.20 | 96665535 |
| CQ 60L70-740 WR BPS CL1 M42 | 9.14 | 96665533 |
| CQ 72L70-740 WR BPS CL1 M42 | 9.20 | 96665536 |
| CiviTEQ Large, Extra wide street optic | | |
| CQ 48L35-740 EWS BPS CL1 M42 | 8.40 | 96665537 |
| CQ 60L35-740 EWS BPS CL1 M42 | 8.45 | 96665540 |
| CQ 48L50-740 EWS BPS CL1 M42 | 8.40 | 96665538 |
| CQ 72L35-740 EWS BPS CL1 M42 | 9.20 | 96665543 |
| CQ 60L50-740 EWS BPS CL1 M42 | 8.45 | 96665541 |
| CQ 48L70-740 EWS BPS CL1 M42 | 9.10 | 96665539 |
| CQ 72L50-740 EWS BPS CL1 M42 | 9.20 | 96665544 |
| CQ 60L70-740 EWS BPS CL1 M42 | 9.14 | 96665542 |
| CQ 72L70-740 EWS BPS CL1 M42 | 9.20 | 96665545 |

| Description | Wt (kg) | SAP Code |
|---|---------|----------|
| CiviTEQ Large, Street comfort optic | | |
| CQ 48L35-740 SC BPS CL1 M42 | 8.40 | 96665546 |
| CQ 60L35-740 SC BPS CL1 M42 | 8.45 | 96665549 |
| CQ 48L50-740 SC BPS CL1 M42 | 8.40 | 96665547 |
| CQ 72L35-740 SC BPS CL1 M42 | 9.20 | 96665552 |
| CQ 60L50-740 SC BPS CL1 M42 | 8.45 | 96665550 |
| CQ 48L70-740 SC BPS CL1 M42 | 9.10 | 96665548 |
| CQ 72L50-740 SC BPS CL1 M42 | 9.20 | 96665553 |
| CQ 60L70-740 SC BPS CL1 M42 | 9.14 | 96665551 |
| CQ 72L70-740 SC BPS CL1 M42 | 9.20 | 96665554 |
| CiviTEQ Large, Extra wide street comfort optic | | |
| CQ 48L35-740 EWSC BPS CL1 M42 | 8.40 | 96665555 |
| CQ 60L35-740 EWSC BPS CL1 M42 | 8.45 | 96665558 |
| CQ 48L50-740 EWSC BPS CL1 M42 | 8.40 | 96665556 |
| CQ 72L35-740 EWSC BPS CL1 M42 | 9.20 | 96665561 |
| CQ 60L50-740 EWSC BPS CL1 M42 | 8.45 | 96665559 |
| CQ 48L70-740 EWSC BPS CL1 M42 | 9.10 | 96665557 |
| CQ 72L50-740 EWSC BPS CL1 M42 | 9.20 | 96665562 |
| CQ 60L70-740 EWSC BPS CL1 M42 | 9.14 | 96665560 |
| CQ 72L70-740 EWSC BPS CL1 M42 | 9.20 | 96665563 |
| CiviTEQ Large, Extra wide road optic | | |
| CQ 48L35-740 EWR BPS CL1 M42 | 8.40 | 96665564 |
| CQ 60L35-740 EWR BPS CL1 M42 | 8.45 | 96665567 |
| CQ 48L50-740 EWR BPS CL1 M42 | 8.40 | 96665565 |
| CQ 72L35-740 EWR BPS CL1 M42 | 9.20 | 96665570 |
| CQ 60L50-740 EWR BPS CL1 M42 | 8.45 | 96665568 |
| CQ 48L70-740 EWR BPS CL1 M42 | 9.10 | 96665566 |
| CQ 72L50-740 EWR BPS CL1 M42 | 9.20 | 96665571 |
| CQ 60L70-740 EWR BPS CL1 M42 | 9.14 | 96665569 |
| CQ 72L70-740 EWR BPS CL1 M42 | 9.20 | 96665572 |
| Brackets | | |
| ISARO BRA COL 0,50M R9006 | 4.20 | 96269061 |
| ISARO BRA MWA 0,50M R9006 | 4.40 | 96269060 |
| ISARO BRAX1 MA60 0,80M R9006 | 7.70 | 96269056 |
| ISARO BRAX1 MA76 0,80M R9006 | 7.70 | 96269057 |
| ISARO BRAX2 MA60 0,80M R9006 | 11.70 | 96269058 |
| ISARO BRAX2 MA76 0,80M R9006 | 11.70 | 96269059 |

To make reading our ordering guides easier please use the SAP description key fold out, inside the back cover. For more information please visit our website www.thornlighting.co.uk and simply search for our products.



Olsys

Street



www.thornlighting.co.uk/OSYR
www.thornlighting.ie/OSYR



Versatile street lantern employing a state-of-the-art LED engine for performance and efficiency



- Complete with power reduction to reduce energy consumption during the night
- Exceptionally low cost of ownership with an optimised heat management system to provide a lifetime up to 80,000 hours (L70, 25°) without dimming
- Discreet design is coordinated with other Olsys luminaires and available with a wide choice of mounting types and column packages
- Up to 12,500lm/W available

MATERIALS/FINISH

Body: die-cast aluminium (AS9U) powder coated silver grey 9006 finish
Enclosure: size 1 clear UV stabilised PC
size 2: tempered glass
Optics: size 1 PC, size 2 micro reflectors in highly reflective anodised aluminium
Screws: stainless steel
Brackets and mounting accessories: aluminium

INSTALLATION/MOUNTING

Fitting and mounting accessories delivered separately.
Product supplied pre-wired with connector
Recommended mounting heights:
Olsys Street 1: 4m
Olsys Street 2: 6 to 8m
Coordinated columns and brackets: cylindro-conical or curved
Access to gear (replaceable) via 4 screws from the canopy

SPECIFICATION

To specify state:
IP66 LED street lantern with 24-85W (up to 7000lm) LED packages, powder coated silver grey 9006, integrated dimming system and coordinated decorative columns and brackets.
As Thorn Olsys Street.



Double long bracket



Double long bracket



Side entry with curved pole



Double post top bracket

ORDERING GUIDE

To order a complete fitting, please select a luminaire, a mounting attachment and a column when relevant. Complete with LEDs.

| Description | Wt (kg) | SAP Code | Cat. No. |
|---|---------|----------|-------------|
| OlSYS 1 street | | | |
| OLSYS1 10L70-740 STR BP8 CL1 | 2.81 | 96274078 | |
| OlSYS 1 street, mounting accessories | | | |
| OLSYS1 BRA 500MM MTP | 3.90 | 96262300 | OY1SB5 |
| OLSYS1 BRX2 1000MM MTP | 6.90 | 96262301 | OY1SDB10 |
| OLSYS1 MLE 47MA | 1.00 | 96262302 | OY1SMA47 |
| OLSYS1 MLE 60MA | 1.20 | 96262297 | OY1SMA60 |
| OLSYS1 MTP 60/76 | 1.40 | 96262298 | OY1SPT6076 |
| OLSYS1 MTP 60/76 X2 | 2.10 | 96262299 | OY1SDPT6076 |
| OlSYS 2 street | | | |
| OLSYS2 24L70-740 STR BP8 CL1 | 8.50 | 96274091 | |
| OLSYS2 36L70-740 STR BP8 CL1 | 8.52 | 96274097 | |
| OLSYS2 36L70-740 STR BP8 PM CL1 | 8.45 | 96274099 | |
| OlSYS 2 street, mounting accessories | | | |
| OLSYS2 BRA 500MM MTP | 5.30 | 96262306 | OY2SB5 |
| OLSYS2 BRX2 1000MM MTP | 10.00 | 96262307 | OY2SDB10 |
| OLSYS2 MLE 47MA | 2.50 | 96262308 | OY2SMA47 |
| OLSYS2 MLE 60MA | 2.60 | 96262303 | OY2SMA60 |
| OLSYS2 MTP 60/76 | 2.90 | 96262304 | OY2APT60 |
| OLSYS2 MTP 60/76 X2 | 5.00 | 96262305 | OY2SDPT6076 |
| OLSYS2 MWA STR | 0.60 | 96267967 | |

To make reading our ordering guides easier please use the SAP description key fold out, inside the back cover. For more information please visit our website www.thornlighting.co.uk and simply search for our products.

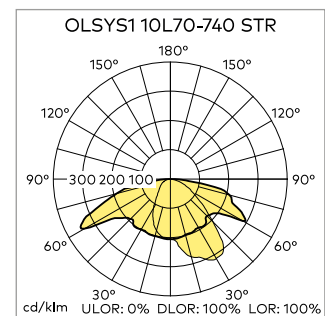
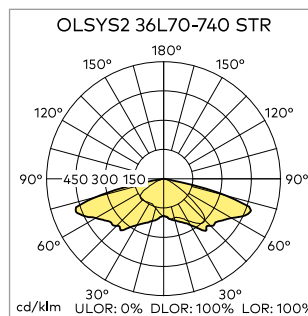
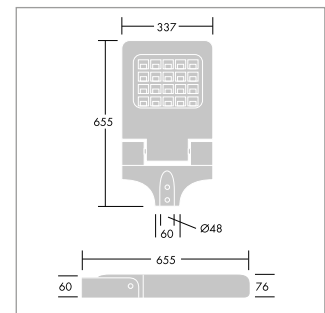
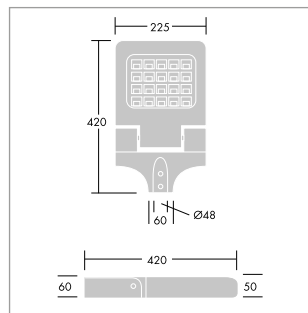
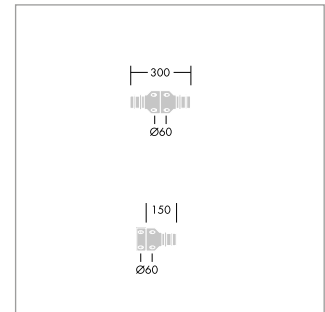
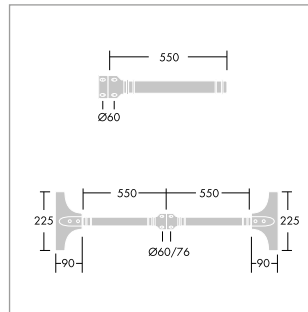
LAMPS

LED

24-85W

STANDARDS

CE EN 60598 IP66 IK08 T_a50





www.thornlighting.co.uk/THOR
www.thornlighting.ie/THOR



A range of smart LED urban lanterns providing high user comfort and easy integration of connectivity and sensors into city environments



- High lighting quality creates a comfortable ambience
- Designed around the high performance R-PEC® light engine, ensuring an excellent balance between performance and comfort. Please refer to page 205 for the Thorn R-PEC® LED options
- Wide choice of control options with a discreet RF variant
- Flexible mounting options extend the scope of application
- 2 sizes available: Thor S and Thor L

MATERIALS/FINISH

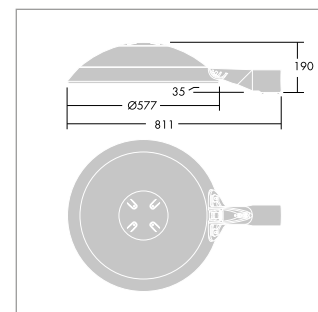
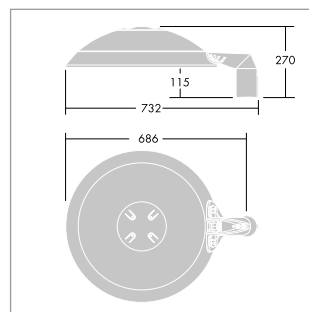
Dome, 2 options : UV stabilized polycarbonate with dark sandy grey finish, close to RAL7043 or opal finish.
 Glass: 4mm thick toughened flat glass
 Bracket: die cast aluminium (AS12U, LM6 equivalent, EN AC-44300) treated against corrosion and powder coated dark sandy grey (close to RAL7043).
 Body: die cast aluminium (AS12U, LM6 equivalent, EN AC-44300) treated against corrosion and powder coated dark sandy grey (close to RAL7043).
 Ring: die cast aluminium (AS12U, LM6 equivalent, EN AC-44300) treated against corrosion and powder coated dark sandy grey (close to RAL7043).
 Reflector: ABS white with UV treatment
 Screws and closing set: Stainless steel

INSTALLATION/MOUNTING

Recommended mounting height: 6m to 8m. All versions are pre-wired with 9m cable. Supplied complete and ready to install, in a single box. Weight: 15,2kg max. Suitable for both post top and side entry mounting Ø60mm as standard. Side mounting: Ø60mm x 100mm long spigot, tilting -15° max, secured by 2 screws, delivered tilted at 0° by default. Top mounting: Ø60mm spigot, tilting +10° max, secured by 2 stainless steel screws, delivered tilted at 0° by default. Access from above. Optimised narrow road (NR), wet road (R-WET) and street comfort (SC) optics for good control and performance. Catenary and suspended versions fixed through 27G, adaptor for 34G (available on request) Ø48 mm lateral and post top versions (external Ø60mm, internal Ø48mm), available on request.

SPECIFICATION

To specify state:
 IP66 durable urban LED lantern with 2 finishes (full dome or opal dome). Luminaire flux up to 13 500 Llm. Efficiency up to 126 Llm/W. Ø60mm side entry, and post top mountings, as standard. Tilting from -15° to +10°. NR, RWET and SC R-PEC® optics. CLO, bi-power, DALI and Radio Frequency (RF) as standard. Ø48mm lateral, Ø48mm post top mountings, catenary and suspended versions on request. Compatible with a wide range of intelligent lighting controls.
 As Thorn Thor.





LAMPS

LED

52-108W

STANDARDS

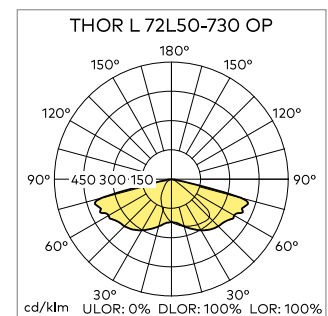
CE IP66 IK10 Ta-30 +25

ORDERING GUIDE

| Description | Wt (kg) | SAP Code | Cat. No. |
|--|---------|----------|-------------------|
| Thor L Narrow road optic, full dome | | | |
| THOR L 48L50-730 NR BP CL1 FD 9M MLE | 13.90 | 96643960 | TRLS48L50B8NR3KD |
| THOR L 48L50-730 NR BP CL1 FD 9M MTP | 13.90 | 96643940 | TRLP48L50B8NR3KD |
| THOR L 48L50-740 NR BP CL1 FD 9M MLE | 13.90 | 96643958 | TRLS48L50B8NR4KD |
| THOR L 48L50-740 NR BP CL1 FD 9M MTP | 13.90 | 96643938 | TRLP48L50B8NR4KD |
| THOR L 72L50-730 NR BP CL1 FD 9M MLE | 14.80 | 96643970 | TRLS72L50B8NR3KD |
| THOR L 72L50-730 NR BP CL1 FD 9M MTP | 14.80 | 96643950 | TRLP72L50B8NR3KD |
| THOR L 72L50-740 NR BP CL1 FD 9M MLE | 14.80 | 96643968 | TRLS72L50B8NR4KD |
| THOR L 72L50-740 NR BP CL1 FD 9M MTP | 14.80 | 96643948 | TRLP72L50B8NR4KD |
| Thor L Narrow road optic, opal dome | | | |
| THOR L 48L50-730 NR BP CL1 OP 9M MLE | 14.20 | 96643920 | |
| THOR L 48L50-730 NR BP CL1 OP 9M MTP | 14.20 | 96643900 | |
| THOR L 48L50-740 NR BP CL1 OP 9M MLE | 14.20 | 96643918 | |
| THOR L 48L50-740 NR BP CL1 OP 9M MTP | 14.20 | 96643898 | |
| THOR L 72L50-730 NR BP CL1 OP 9M MLE | 14.60 | 96643930 | |
| THOR L 72L50-730 NR BP CL1 OP 9M MTP | 14.60 | 96643910 | |
| THOR L 72L50-740 NR BP CL1 OP 9M MLE | 14.60 | 96643928 | |
| THOR L 72L50-740 NR BP CL1 OP 9M MTP | 14.60 | 96643908 | |
| Thor L Narrow road optic, configured products | | | |
| THOR L 48L50-740 NR BP CL1 PM FD 9M MLE | 13.90 | 96643972 | TRLS48L50B8MNR4KD |
| Thor L Street comfort optic, full dome | | | |
| THOR L 48L50-730 SC BP CL1 FD 9M MLE | 13.90 | 96643961 | TRLS48L50B8SC3KD |
| THOR L 48L50-730 SC BP CL1 FD 9M MTP | 13.90 | 96643941 | TRLP48L50B8SC3KD |
| THOR L 48L50-740 SC BP CL1 FD 9M MLE | 13.90 | 96643959 | TRLS48L50B8SC4KD |
| THOR L 48L50-740 SC BP CL1 FD 9M MTP | 13.90 | 96643939 | TRLP48L50B8SC4KD |
| THOR L 72L50-730 SC BP CL1 FD 9M MLE | 14.80 | 96643971 | TRLS72L50B8SC3KD |
| THOR L 72L50-730 SC BP CL1 FD 9M MTP | 14.80 | 96643951 | TRLP72L50B8SC3KD |
| THOR L 72L50-740 SC BP CL1 FD 9M MLE | 14.80 | 96643969 | TRLS72L50B8SC4KD |
| THOR L 72L50-740 SC BP CL1 FD 9M MTP | 14.80 | 96643949 | TRLP72L50B8SC4KD |
| Thor L Street comfort optic, opal dome | | | |
| THOR L 48L50-730 SC BP CL1 OP 9M MLE | 14.20 | 96643921 | |
| THOR L 48L50-730 SC BP CL1 OP 9M MTP | 14.20 | 96643901 | |
| THOR L 48L50-740 SC BP CL1 OP 9M MLE | 14.20 | 96643919 | |
| THOR L 48L50-740 SC BP CL1 OP 9M MTP | 14.20 | 96643899 | |
| THOR L 72L50-730 SC BP CL1 OP 9M MLE | 14.60 | 96643931 | |
| THOR L 72L50-730 SC BP CL1 OP 9M MTP | 14.60 | 96643911 | |
| THOR L 72L50-740 SC BP CL1 OP 9M MLE | 14.60 | 96643929 | |
| THOR L 72L50-740 SC BP CL1 OP 9M MTP | 14.60 | 96643909 | |

| Description | Wt (kg) | SAP Code | Cat. No. |
|--|---------|----------|----------|
| Thor S Narrow road optic, full dome | | | |
| THOR S 24L70-740 NR-S BPS CL1 FD MCA | 8.60 | 96665346 | |
| THOR S 36L50-740 NR BPS CL1 FD 6M MLE | 10.00 | 96665291 | |
| THOR S 36L50-740 NR BPS CL1 FD 6M MTP | 10.00 | 96665250 | |
| THOR S 36L50-740 NR BPS CL1 FD MSU 27G | 8.20 | 96628513 | |
| THOR S 36L50-740 NR BPS CL1 FD MSU 27G | 8.20 | 96628514 | |
| THOR S 36L50-740 NR BPS CL1 FD MSU 34G | 8.20 | 96665322 | |
| THOR S 36L70-730 NR BPS CL2 FD MSU 34G | 8.20 | 96665326 | |
| THOR S 36L70-740 NR BPS CL1 FD 6M MLE | 10.00 | 96665305 | |
| THOR S 36L70-740 NR BPS CL1 FD 6M MTP | 10.00 | 96665265 | |
| THOR S 36L70-740 NR BPS CL1 FD MSU 27G | 8.20 | 96628518 | |
| THOR S 36L70-740 NR BPS CL1 FD MSU 34G | 8.20 | 96665332 | |
| Thor S Narrow road optic, opal dome | | | |
| THOR S 36L50-740 NR BPS CL1 OP 6M MTP | 10.60 | 96665251 | |
| THOR S 36L70-740 NR BPS CL1 OP 6M MLE | 10.60 | 96665306 | |
| THOR S 36L70-740 NR BPS CL1 OP 6M MTP | 10.60 | 96665266 | |
| Thor S Wide street optic, full dome | | | |
| THOR S 24L105-740 WS-S BPS CL1 FD MCA | 8.60 | 96665355 | |

To make reading our ordering guides easier please use the SAP description key fold out, inside the back cover. For more information please visit our website www.thornlighting.co.uk and simply search for our products.





www.thornlighting.co.uk/DYNL
www.thornlighting.ie/DYNL



A high quality LED luminaire to enhance efficiently, urban roads and streets up to ME2



- Flexibility of use: 11 lumen outputs (up to 14000 lm), two sizes, top or lateral mountings and two optics to cover a wide range of lighting projects from S to ME2 classes
- High performance Thorn R-PEC® road and street lighting LED optic with high efficiency (up to 114 lm/W). Please refer to page 205 for the Thorn R-PEC® LED options
- Durable IP66 and IK10 luminaire made of high quality die-cast aluminium
- Coordinated with new brackets and columns for a full harmonised architectural project

MATERIALS/FINISH

Body, spigot and canopy (size 1): die-cast aluminium, power coating textured dark grey finish. Canopy (size 2): spun aluminium, textured anthracite finish.
Flat glass cover: 5mm thick toughened glass.
Gasket (size 1): Ethylene Propylene Diamine rubber (EPDM), (size 2) silicon.

INSTALLATION/MOUNTING

Optimised street optic for good control and comfort. Dedicated range of columns and brackets. Opening from above. Side-entry mounting \varnothing 60 mm, tilt = 0°, -5°. Post-top mounting \varnothing 60 mm, tilt = 5°, 10°. Option for \varnothing 76 mm PT mounting with spigot accessory. End cap secured by 2 screws. Slim section: only 92mm thick. Supplied complete and ready to install, in a single box. Weight: 12kg max.

SPECIFICATION

To specify state:
IP 66 aluminium decorative streetlighting lantern in 2 sizes. Post top or side entry mounting onto a 60mm spigot (76mm available) with tilting capability of 5° and 10° (PT) or -5° (SE). With options for dimming, CLO (constant light output) and presence detection. As Thorn Dyana LED.

ORDERING GUIDE

Supplied complete with LEDs

| Description | Wt (kg) | SAP Code | Cat. No. |
|---|---------|----------|------------|
| Dyana LED, Size 1 | | | |
| DYANA LED 36L50 NR 740 CL1 HT MLE60 | 11.70 | 96263154 | DY59RSM |
| DYANA LED 36L100 NR 740 CL1 MLE60 | 11.60 | 96264391 | DY122RSM |
| DYANA LED 36L100 NR 740 CL1 MLE60 PM | 11.70 | 96264393 | |
| Dyana LED, Bi-power, size 1 | | | |
| DYANA LED 12L70 NR 740 BP CL1 MA76 | 10.24 | 96263159 | DY28B8RMA |
| DYANA LED 12L70 NR 740 BP CL1 MA76 PM | 10.30 | 96263162 | DY28B8MRMA |
| DYANA LED 12L70 NR 740 BP CL1 MLE60 | 10.84 | 96261027 | DY28B8 |
| DYANA LED 12L70 NR 740 BP CL1 MLE60 PM | 10.90 | 96261127 | DY28B8M |
| DYANA LED 24L70 NR 740 BP CL1 MA76 | 10.27 | 96263160 | DY55B8RMA |
| DYANA LED 24L70 NR 740 BP CL1 MA76 PM | 10.33 | 96263163 | DY55B8MRMA |
| DYANA LED 24L70 NR 740 BP CL1 MLE60 | 10.87 | 96261028 | DY56B8 |
| DYANA LED 24L70 NR 740 BP CL1 MLE60 PM | 10.93 | 96261128 | DY56B8M |
| DYANA LED 36L50 NR 740 BP CL1 HT MLE60 | 11.70 | 96263156 | |
| DYANA LED 36L70 NR 740 BP CL1 MA76 | 10.28 | 96263161 | DY82B8RMA |
| DYANA LED 36L70 NR 740 BP CL1 MA76 PM | 10.34 | 96263164 | DY82B8MRMA |
| DYANA LED 36L70 NR 740 BP CL1 MLE60 | 9.46 | 96261029 | DY84B8 |
| DYANA LED 36L70 NR 740 BP CL1 MLE60 PM | 10.94 | 96261129 | DY84B8M |
| DYANA LED 36L100 NR 740 BP CL1 MA76 | 11.70 | 96264394 | |
| DYANA LED 36L100 NR 740 BP CL1 MLE60 | 11.60 | 96264392 | |
| DYANA LED 36L100 NR 740 BP CL1 MLE60 PM | 11.70 | 96264392 | |
| DYANA LED 36L100 NR 740 CL1 MA76 PM | 11.80 | 96264395 | |



LAMPS

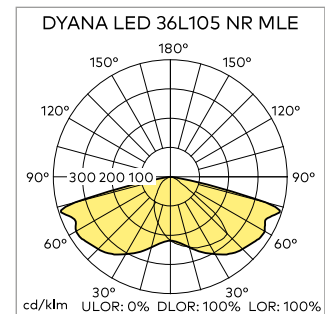
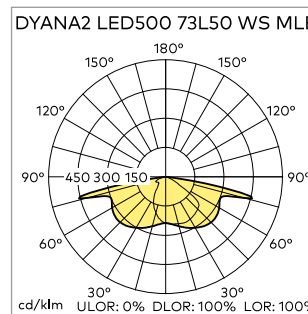
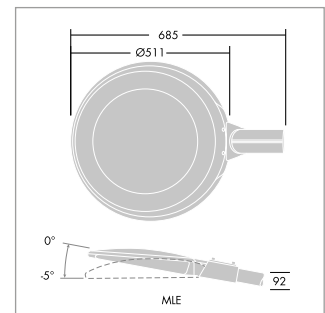
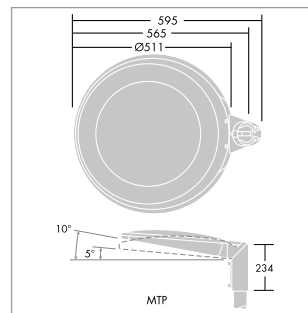
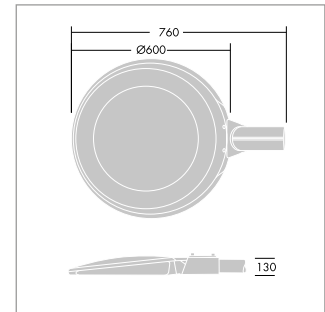
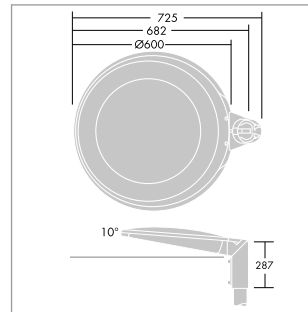
LED 28-158W

STANDARDS

CE EN 60598 IP66 IK09 IK10
T_a25

| Description | Wt (kg) | SAP Code | Cat. No. |
|---------------------------------------|---------|----------|-------------|
| Dyana LED, Size 2 | | | |
| DYANA2 LED 48L50 NR 740 CL1 HT MLE | 13.90 | 96264365 | DY81RSM |
| DYANA2 LED 48L50 NR 740 CL1 HT MTP | 13.90 | 96264827 | |
| DYANA2 LED 48L50 WS 740 CL1 HT MLE | 13.90 | 96264350 | DY81SSM |
| Dyana LED, Bi-power, size 2 | | | |
| DYANA2 LED 48L50 NR 740 BP CL1 HT MLE | 13.90 | 96264363 | DY81B8RSM |
| DYANA2 LED 48L50 WS 740 BP CL1 HT MLE | 13.90 | 96264348 | DY81B8SSM |
| DYANA2 LED 72L50 NR 740 BP CL1 MLE | 14.70 | 96264384 | DY123B8RSM |
| DYANA2 LED 72L50 NR 740 BP CL1 MLE PM | 14.80 | 96264385 | DY123B8MRSM |
| DYANA2 LED 72L50 NR 740 BP CL1 MTP | 14.70 | 96264828 | |
| DYANA2 LED 72L50 NR 740 BP CL1 MTP PM | 14.70 | 96264829 | |
| DYANA2 LED 72L50 WS 740 BP CL1 MLE | 14.70 | 96264377 | DY123B8SSM |
| DYANA2 LED 72L50 WS 740 BP CL1 MLE PM | 14.80 | 96264378 | DY123B8MSSM |
| DYANA2 LED 72L70 NR 740 BP CL1 MLE | 14.70 | 96264361 | DY167B8RSM |
| DYANA2 LED 72L70 NR 740 BP CL1 MLE PM | 14.80 | 96264362 | DY167B8MRSM |
| DYANA2 LED 72L70 NR 740 BP CL1 MTP | 16.80 | 96264830 | |
| DYANA2 LED 72L70 NR 740 BP CL1 MTP PM | 14.80 | 96264831 | |
| DYANA2 LED 72L70 WS 740 BP CL1 MLE | 14.70 | 96264346 | DY167B8SSM |
| DYANA2 LED 72L70 WS 740 BP CL1 MLE PM | 14.80 | 96264347 | DY167B8MSSM |

To make reading our ordering guides easier please use the SAP description key fold out, inside the back cover. For more information please visit our website www.thornlighting.co.uk and simply search for our products.





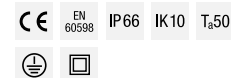
www.thornlighting.co.uk/ORUL
www.thornlighting.ie/ORUL



LAMPS

LED 31-40W

STANDARDS



- Efficient LED lamp fitted with the award-winning Flat Beam® technology to exceed safety standards at a low optimised mounting height of 0.9m
- Eliminates direct glare for driver comfort
- Flexible lighting control options, from simple dimming to an advanced central management system
- Durable and vandal resistant with an IK10/40 joules rating

MATERIALS/FINISH

Housing, canopies, spigot: die-cast aluminium with min 1,000hrs salt fog resistance.

Bollard: 3mm steel, powder coated texturised light grey as standard (close to RAL9006), other colours and finishes available on request.

Enclosure: UV stabilised polycarbonate, protected against graffiti and with extra scratch resistant treatment.

Reflector: high reflectance aluminium coating.

Tamper-proof screws and bolts: stainless steel, Ecolubric® treated.

INSTALLATION/MOUNTING

Mounting height has to be 0.9m from carriageway while offset should be 1.5m for optimum results. Plug and socket connections. Rear access to gear via 2 x M6 tamper proof Allen screws. Cable glands for Ø8 to 13mm cable. Adjustment at 0° through spirit level. Tolerance of 5° is allowed. Delivered complete, ready to install. Stirrup version: Rear access to gear components. Ready for through wiring via 2 cable glands. 180° rotating stirrup. Stirrup fixed through 2 x M10 tempered bolts. Bollard version: inside bollard access to gear components. Flange mounting. Head fixed to bollard through 2 x M10 tempered bolts.

SPECIFICATION

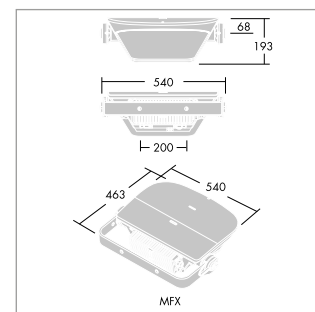
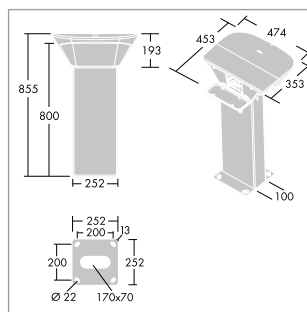
To specify state: Innovative road lighting luminaire with LED, incorporating Flat Beam® technology, in die-cast aluminium reaching lighting standards at 0.9m high. Sealed to IP66 with unique lighting distribution and choice of mounting options. As Thorn Orus LED.

ORDERING GUIDE

Supplied complete with LEDs

| Description | Wt (kg) | SAP Code | Cat. No. |
|---|---------|----------|----------|
| Orus LED Stirrup version, road optic | | | |
| ORUS 1L70 BPSW CL1 MFX ROAD NB | 9.20 | 96267815 | OSS27RN |
| ORUS 1L70 BPSW CL1 MFX ROAD WB | 9.20 | 96267817 | OSS27RW |
| ORUS 1L70 CL1 MFX ROAD WB HT | 9.20 | 96268745 | |
| ORUS 1L90 BPSW CL1 MFX ROAD NB | 9.20 | 96267816 | OSS42RN |
| ORUS 1L90 BPSW CL1 MFX ROAD WB | 9.20 | 96267818 | OSS42RW |
| ORUS 1L90 CL1 MFX ROAD WB HT | 9.20 | 96268742 | |
| Orus LED Stirrup version, street optic | | | |
| ORUS 1L70 BPSW CL1 MFX STREET WB | 9.20 | 96267819 | OSS27S |
| ORUS 1L90 BPSW CL1 MFX STREET WB | 9.20 | 96267820 | OSS42S |
| ORUS 1L90 HFX CL1 MFX STREET WB | 9.20 | 96267847 | OSS42DS |
| Orus LED Bollard version, road optic | | | |
| ORUS 1L70 BPSW CL1 BOL ROAD NB | 22.40 | 96267834 | OSB27RN |
| ORUS 1L70 BPSW CL1 BOL ROAD WB | 22.40 | 96267836 | OSB27RW |
| ORUS 1L90 BPSW CL1 BOL ROAD NB | 22.40 | 96267835 | OSB42RN |
| ORUS 1L90 BPSW CL1 BOL ROAD WB | 22.40 | 96267837 | OSB42RW |
| Orus LED Bollard version, street optic | | | |
| ORUS 1L70 BPSW CL1 BOL STREET WB | 22.40 | 96267838 | OSB27S |
| ORUS 1L70 HFX CL1 BOL STREET WB | 22.40 | 96267850 | OSB27DS |
| ORUS 1L90 BPSW CL1 BOL STREET WB | 22.40 | 96267839 | OSB42S |

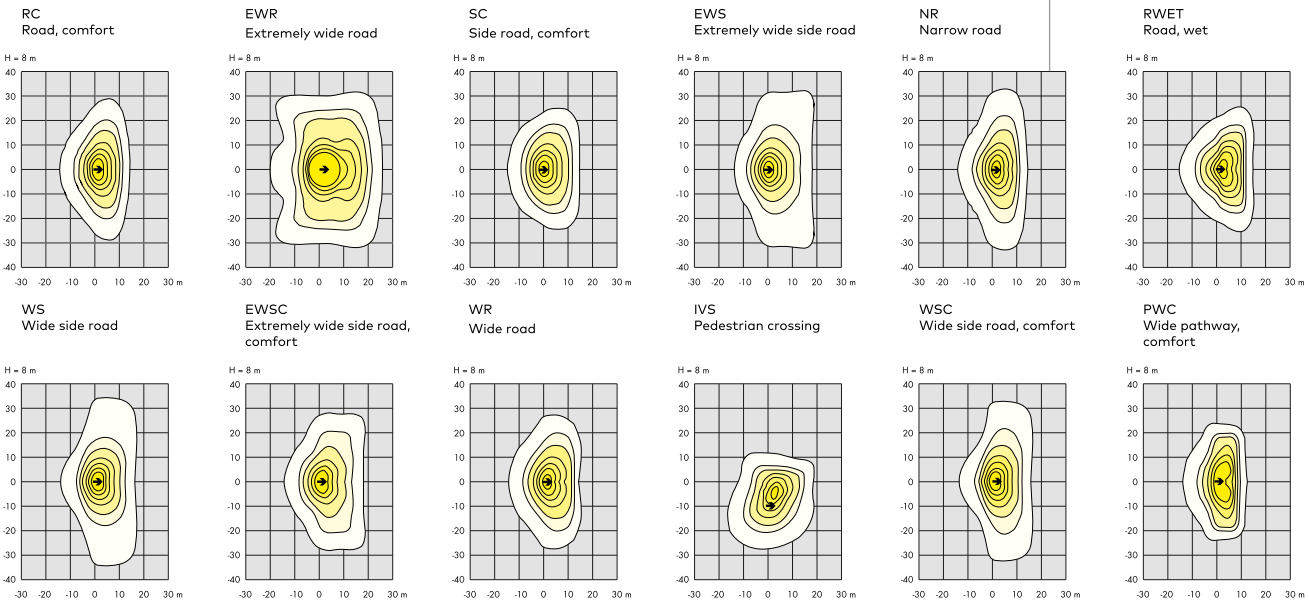
To make reading our ordering guides easier please use the SAP description key fold out, inside the back cover. For more information please visit our website www.thornlighting.co.uk and simply search for our products.



LED light distribution options for the highest efficiency

The THORN R-PEC® LED light distribution options are based on a multi-layer lens system and provide adequate light distribution options for any requirements in street and outdoor lighting

| Optic designation | Use and street type | Recommended lighting classes | Glare control class at 0° tilt |
|-------------------|-------------------------------|------------------------------|--------------------------------|
| RC | Road, comfort | ME classes | G4 |
| NR | Narrow road | ME classes | G3 |
| WR | Wide road | ME classes | G4 |
| EWR | Extra-wide road | CE & ME classes | G3 |
| RWET | Road, wet | ME-classes (wet) | G6 |
| IVS | Pedestrian crossing | Pedestrian crossing | – |
| SC | Side road, comfort | S & ME classes | G6 |
| WS | Wide side road | S classes | G0 |
| WSC | Wide side road, comfort | S classes | G3 |
| EWS | Extra-wide side road | S classes | G0 |
| EWSC | Extra-wide side road, comfort | S classes | G3 |
| PWC | Wide pathway, comfort | S classes | G6 |

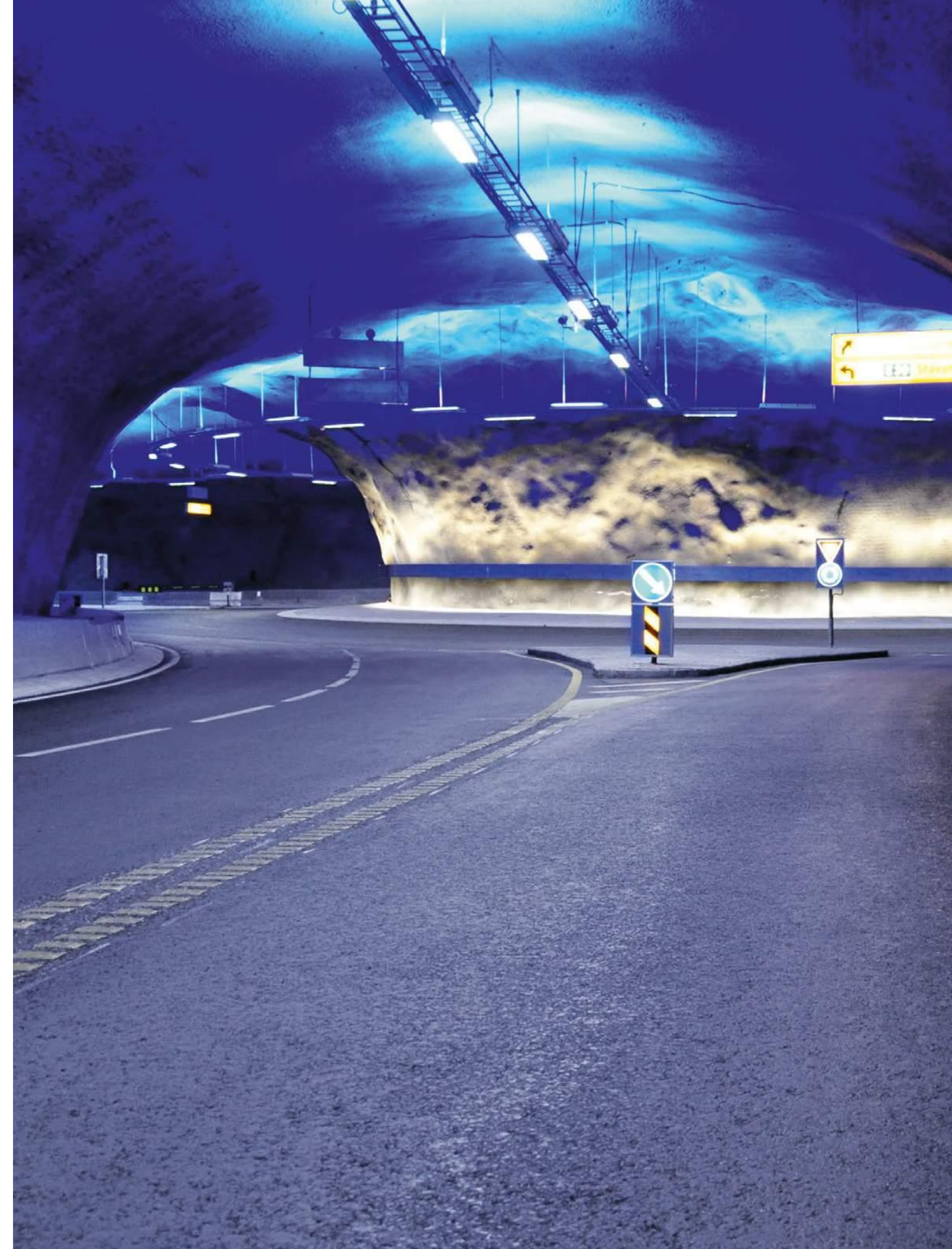


| | | | | | | | | | |
|---|----------------|----|-----------|----------------|-----|------|----------|-----|---------------------|
| 1.35 | RC | NR | PWC | | | RWET | | | |
| 1.20 | | | | | | | | | |
| 1.00 | | | | | | | | | |
| 0.85 | SC | WR | WSC | WS | | | IVS | | |
| 0.70 | | | | | | | | | |
| 0.60 | | | | | EWR | | | | |
| 0.45 | | | EWSC | EWS | | | | | |
| Factor = $\frac{\text{Light point height}}{\text{Road width}}$ | ME comfort | ME | S comfort | | | S | CE class | MEW | Pedestrian crossing |
| | Dry conditions | | | Wet conditions | | | | | |

Divide light point height by area to be illuminated to obtain a rough pre-selection of the THORN R-PEC® LED optic with the result!

Example:

Lighting class: ME 4b
 Light point height: 10.0 m
 Road width: 8.5 m
 Pavement width: 2.0 m respectively
 Calculation: $10 / 12.5 = 0.8$
 Recommendation: R-PEC optic SC or WR



Outdoor Lighting

TUNNEL LIGHTING



208
GTLED



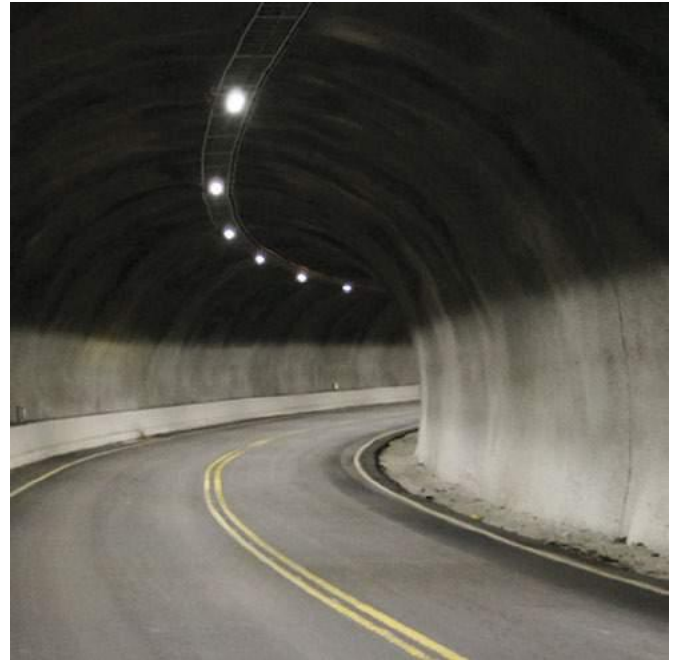
210
GTLED RS



211
Tunnel Guidance



www.thornlighting.co.uk/GTLD
www.thornlighting.ie/GTLD



- Advanced linear LED design, without the use of directional LED's resulting in a comfortable appearance with disability glare (TI) values of 3 or less in most applications. Symmetrical and asymmetrical counter beam light distributions are available
- Lenses and side reflectors provide tunnel specific light distributions that work well with road luminance levels from 0,5 cd/m² and above for interior zone lighting, and up to 300 cd/m² for the entrance zone lighting
- Through wiring versions have spring release terminals, for fast connection with correct momentum and reduced installation cost. Other versions come with a pre-attached cable so there is no need to open the fitting
- Superior thermal control ensures optimal operating conditions for both driver and LED's, to cope with ambient temperatures up to 50°C. The GTLED range is designed for long lasting service with IP66 rating for dependable quality

MATERIALS/FINISH

Body: extruded aluminium, powder coated white
Hinge/lock system: anodized aluminium
Glass/enclosure: toughened, with black screen print at gear compartment

INSTALLATION/MOUNTING

Suitable for surface mounting on to the ceiling or wall with adjustable bracket 96209279 (GTLED 18-36 LED) or 96220745 (GTLED 48-120 LED), to be ordered separately, other special brackets available on request.

SPECIFICATION

To specify state:
An advanced LED tunnel luminaire, several wattages available. LEDs with low-glare light distribution to comply with both CIE88 and EN13201. Suitable for operation in ambient temperatures up to 50°C. Pre-wired versions and through wiring versions (GTLED with 48-120 LED and larger) are available. Internal fuse protection. 10kV surge protection device included for GTLED 48-120 LED. IP66 and class 1 as standard. Toughened glass, IK07. As Thorn GTLED.



LAMPS

LED

40-274.1W

STANDARDS



EN 60598

IP66

T_a50

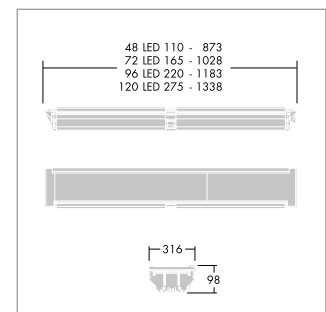
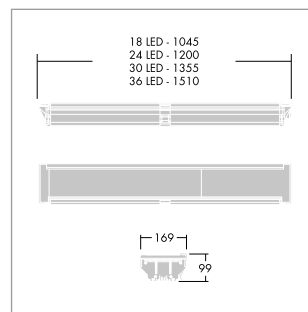


ORDERING GUIDE

Supplied complete with LEDs

| Description | Wt (kg) | SAP Code | Cat. No. |
|---|---------|----------|----------|
| GTLED for interior zones, symmetrical | | | |
| GTLED 18L70 741 S/S 1,5M | 9.60 | 96209117 | GT45 |
| GTLED 18L70 741 S/S 1,5M HFX | 20.00 | 96220961 | |
| GTLED 24L70 741 S/S 1,5M | 11.10 | 96209286 | GT60 |
| GTLED 30L70 741 S/S 1,5M | 12.50 | 96209287 | GT75 |
| GTLED 30L70 741 S/S 1,5M BPL | 14.10 | 96209198 | GT75BPL |
| GTLED 30L70 741 S/S 1,5M HFX | 12.50 | 96209059 | GT75DALI |
| GTLED 36L70 741 S/S 1,5M | 14.10 | 96209288 | GT90 |
| GTLED for entrance zones, symmetrical | | | |
| GTLED 48L70 741 S/S TW 2M25 | 16.80 | 96220740 | |
| GTLED 72L70 741 S/S TW 2M25 | 20.30 | 96220741 | |
| GTLED 96L70 741 S/S TW 2M25 | 22.80 | 96220742 | |
| GTLED 120L70 741 S/S TW 2M25 | 26.40 | 96220743 | |
| GTLED for entrance zones, asymmetrical counterbeam | | | |
| GTLED 48L35 740 A/CB TW 2M25 | 16.00 | 96221799 | |
| GTLED 48L70 740 A/CB 1,5M WLS HFA | 15.10 | 96221401 | |
| GTLED 48L70 740 A/CB TW 2M25 | 16.80 | 96221398 | |
| GTLED 72L70 740 A/CB TW 2M25 | 20.30 | 96221397 | |
| GTLED 96L70 740 A/CB TW 2M25 | 22.80 | 96221396 | |
| GTLED 120L70 740 A/CB 1,5M WLS HFA | 15.20 | 96221399 | |
| GTLED 120L70 740 A/CB TW 2M25 | 26.40 | 96221395 | |
| GTLED Accessories | | | |
| GTLED 18-36LED ADJ.BRACKET KIT | 1.00 | 96209279 | GTB |
| GTLED 48-120LED ADJ.BRACKET KIT | 1.00 | 96220745 | |

To make reading our ordering guides easier please use the SAP description key fold out, inside the back cover. For more information please visit our website www.thornlighting.co.uk and simply search for our products.





www.thornlighting.co.uk/GTRS
www.thornlighting.ie/GTRS



A stainless steel tunnel luminaire with advanced LED technology that can endure highly corrosive and tough environments



LAMPS

LED

108-127W

STANDARDS

- Stainless steel housing offering supreme corrosion resistance for harsh environments
- R-PEC optics offering high lighting performances with low glare
- Smart lighting functions with dimmable drivers, DALI or Bi-power Line
- Compact and lightweight luminaire for easy handling and installation
- Designed around perfect heat control and resistance to elements, the self-cleaning shape delivers accurate performance in tunnel conditions

MATERIALS/FINISH

Body: Stainless steel 1.4404/316L
 Painting: Power coated white RAL 9016
 Enclosure: toughened glass

INSTALLATION/MOUNTING

Suitable for surface mounting on to the ceiling or wall with adjustable bracket, to be ordered separately

SPECIFICATION

To specify state:
 A stainless steel tunnel luminaire with advanced LED technology that can endure highly corrosive and tough environments. Suitable for installation requiring 1-6 cd/m² luminance levels. Excellent uniformity with low glare (TI<6). Smart lighting functions such as dimmable drivers, DALI or Bi-power. As Thorn GTLED RS

ORDERING GUIDE

Supplied complete with LED. Bracket to be order separately

| Description | Wt (kg) | SAP Code |
|-------------------------------------|---------|----------|
| GTLED RS | | |
| GTLED RS 72L50 NR BPL 2M32/20 | 16.00 | 96221813 |
| GTLED RS 72L50 NR BPL 2M32/20 UPS | 16.00 | 96221960 |
| GTLED RS 72L50 NR HFX 2M32/20 UPS | 16.00 | 96221812 |
| GTLED RS 72L50 RWET BPL 2M32/20 | 16.00 | 96221810 |
| GTLED RS 72L50 RWET BPL 2M32/20 UPS | 16.00 | 96221811 |
| GTLED RS 96L45 NR HFX 2M32/20 UPS | 16.00 | 96221838 |
| GTLED RS 96L45 RWET BPL 2M32/20 UPS | 16.00 | 96221837 |

To make reading our ordering guides easier please use the SAP description key fold out, inside the back cover. For more information please visit our website www.thornlighting.co.uk and simply search for our products.

LED guidance offering low maintenance and traffic safety



www.thornlighting.co.uk/TUNG
www.thornlighting.ie/TUNG



- Low power consumption
- Quick and easy installation
- Excellent resistance to vibration and corrosion
- Vandal resistant, reinforced synthetic material

MATERIALS/FINISH

TGC: Housing: crystal clear special plastic (Macrolon). The outer surface is nano-coated (anti-static and thus highly dirt repellent and anti-corrosive). TGR: Housing: white polyamide plastic.

INSTALLATION/MOUNTING

TGC: Designed for fast installation thanks to the smart current collector which incorporates the system cable in a prepared "bed" shaped to match the cable (flat cable). The current transmission from the supply line to the contact pin and the socket connection ensure quick operations. TGR: Fast installation thanks to mounting plate (lower part) equipped with three cable sleeves for the cables to be fed through. The upper part of the mounting plate is sealed using two circular labyrinth seals. The upper part is attached to the mounting plate using two captive V4A screws in the V4A threaded bushings.

SPECIFICATION

To specify state:

The markers can be easily adjusted with four modes (continuous, dimming, blinking, off) by using the control units and can be controlled in all areas via an automatic light control system or direct control from the tunnel monitoring and control complex. As Thorn TGC/TGR



LAMPS

 LED

0.96-1.92W

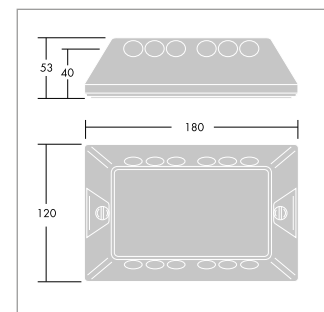
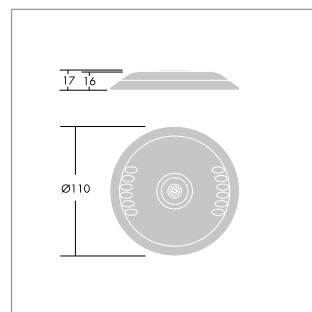
STANDARDS

ORDERING GUIDE

| Description | Wt (kg) | SAP Code | Cat. No. |
|------------------------------------|---------|----------|--------------|
| Tunnel Guidance Circular | | | |
| TGC 12L04 WH CL3 | 0.12 | 96665699 | TGC12L04WCL3 |
| TGC 12L06 RD CL3 | 0.12 | 96665700 | TGC12L04RCL3 |
| TGC 12L04 YE CL3 | 0.12 | 96665697 | TGC12L04YCL3 |
| TGC 12L08 BU CL3 | 0.12 | 96665698 | TGC12L04BCL3 |
| Tunnel Guidance Rectangular | | | |
| TGR 12L04 WH CL3 | 0.31 | 96665706 | TGR12L04WCL2 |
| TGR 12L04 YE CL3 | 0.31 | 96665704 | TGR12L04YCL2 |
| TGR 12L08 BU CL3 | 0.31 | 96665705 | TGR12L04BCL2 |

To make reading our ordering guides easier please use the SAP description key fold out, inside the back cover. For more information please visit our website www.thornlighting.co.uk and simply search for our products.





Blyth
Cramlington
via Gosforth

U

Set down only

T

Blythington
Hazlerigg
Wideopen
Gosforth & North Rd

S

R

Q

P

N

M

L

How you
me!

Secure Bus Stations
from the
Neighbourhood Policing
operate in this area.

Get...
to know you
are one!

Controls & Emergency

EMERGENCY LIGHTING



226
Voyager Solid



228
Voyager Style



230
Voyager Fit



231
Voyager Twin Spot



232
Voyager LED Series



234
Voyager Escape



235
Voyager Sigma



236
Voyager Blade



238
Voyager Compact LED

Emergency Lighting



Specific requirements for emergency lighting are set out in law and the individual responsible for the building must ensure that people can safely leave the premises when the mains power fails.

This evacuation is facilitated by an emergency lighting scheme that must comply with European laws. These laws dictate the level of lighting required in the event of an emergency, together with important obligations such as the visibility of exit signage and the response time of emergency luminaires.

It is essential that the latest legislation, directives and standards are checked and understood before an emergency lighting scheme is designed and specified.

WHAT IS EMERGENCY LIGHTING?

Emergency lighting operates automatically when a lighting circuit loses the mains power supply.

Emergency lighting falls into two categories:

ESCAPE LIGHTING

This illuminates exit routes and open areas.

These are defined in full on page 217. In summary:

- Exit routes must be clearly lit and signed to make sure people can evacuate the building safely.
- Open area lighting is designed to reduce confusion and panic, whilst at the same time ensuring visibility of the nearest exit route.
- Escape lighting also enables employees to shut down sensitive or potentially dangerous processes before evacuating the building.

STANDBY LIGHTING

Standby lighting allows normal activities to continue if the main lighting fails for any reason. An application such as an operating theatre or an air traffic control centre would require standby lighting.

MAINTAINING YOUR EMERGENCY LIGHTING SCHEME

Once an emergency lighting scheme is designed and installed, the person responsible for the building has a legal obligation to make sure that all the emergency luminaires will operate when required.

Emergency light fittings must be regularly tested to confirm that they will operate when needed. These testing requirements are detailed in full on page 220.

As a pioneer in the field of emergency lighting, Thorn offers three different ways of testing emergency lighting:

• Addressable Test

All the emergency light fittings are controlled by a central system.

This system automatically tests each luminaire and stores the results for analysis. Addressable test systems are the optimum way of ensuring a fully functional emergency lighting scheme, particularly in medium to large applications.

• Self Test

All the emergency lights are equipped with an intelligent processor that automatically tests functionality and battery life. Results are clearly displayed on a bi-colour LED indicator. Self Test is an ideal option for small to medium applications.

• Manual Test

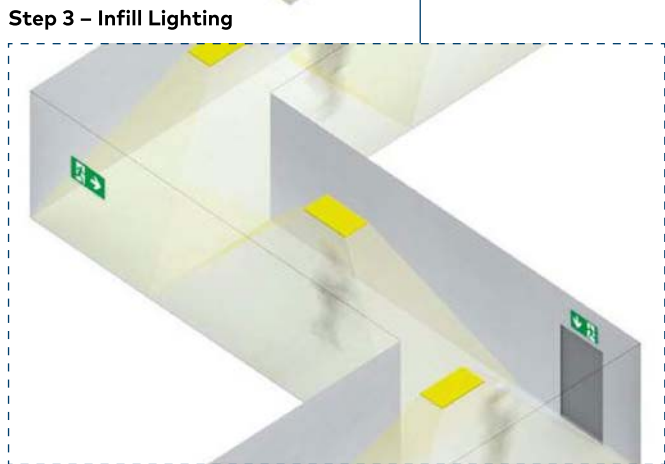
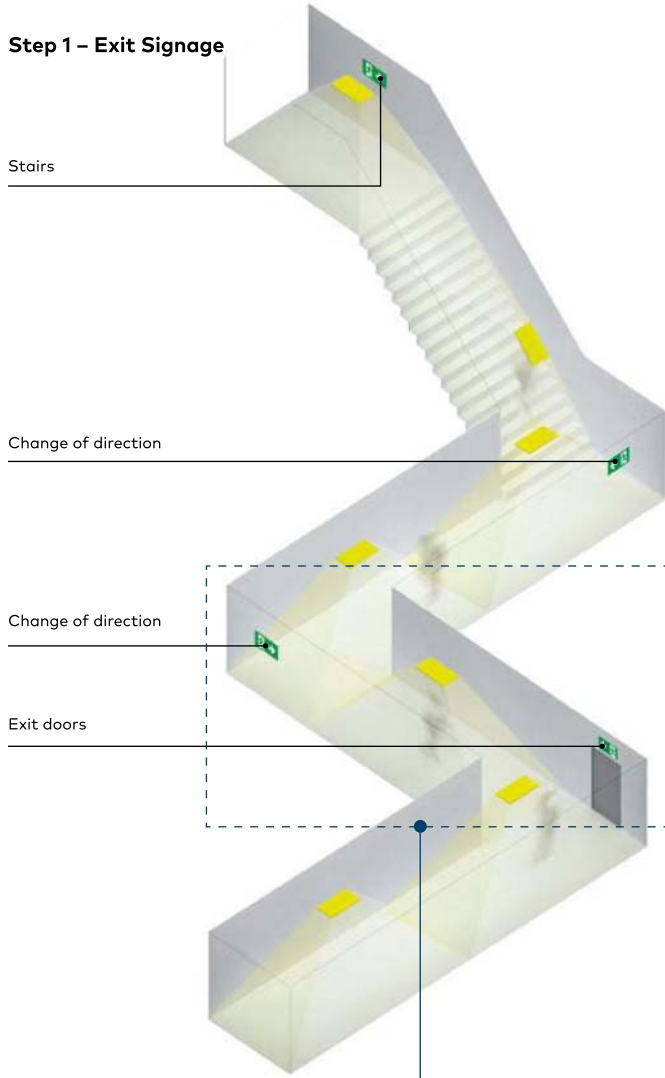
A competent individual must walk around the building and perform a manual check for each emergency fitting, before logging the results on a dedicated record sheet. This needs to be completed by hand and stored ready for an inspection by the local authorities.

PEACE OF MIND

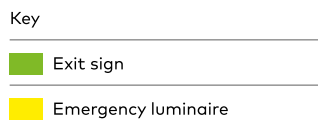
All Thorn emergency luminaires are specifically designed to be genuine emergency fittings. This guarantees that they meet both legal standards and our own exacting specifications. Thorn does not offer converted versions of standard fittings for use in emergency lighting schemes.

Emergency Lighting

Regulations - Positioning

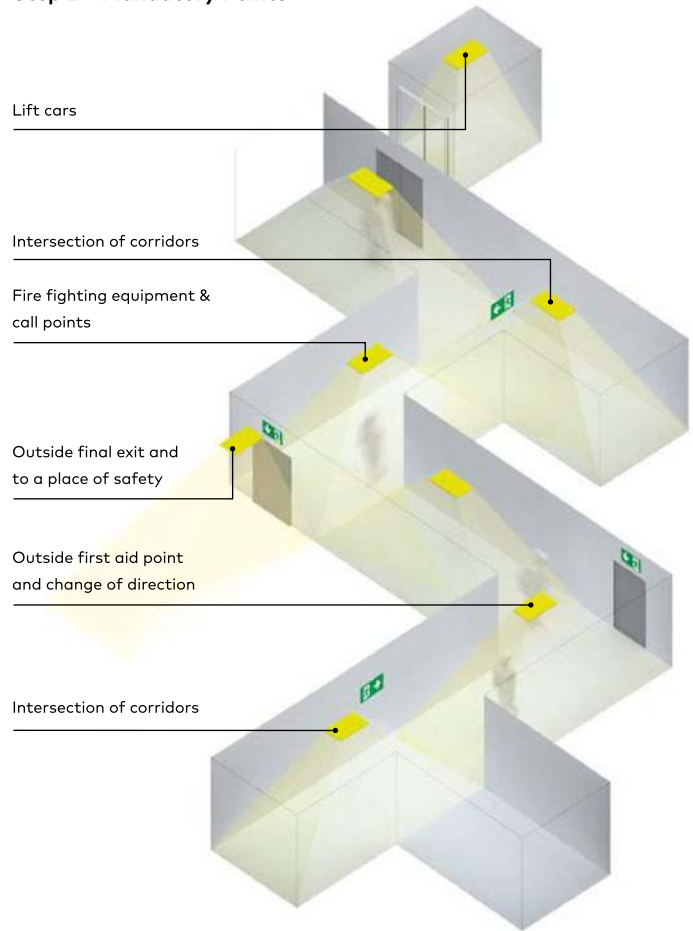


Additional luminaire(s) are needed to fulfil emergency lighting level requirements



These illustrations show exactly where you must locate emergency lighting and signage

Step 2 - Mandatory Points



Emergency luminaires have to be carefully positioned to ensure a compliant emergency lighting scheme. Here are three steps to an effective emergency lighting scheme:

STEP 1 - EXIT SIGNAGE

Signage must be placed to provide a clear and unambiguously marked route to the final exit. It must be lit to a minimum of 100 lux.

STEP 2 - MANDATORY POINTS

Emergency fittings must be installed at certain mandatory points to provide essential light.

As shown in the diagram above, these points include changes of level, intersections of corridors, fire-fighting equipment and first aid posts.

STEP 3 - INFILL LIGHTING

In addition to the lighting of mandatory points, infill luminaires may be required to achieve the correct emergency lighting levels.

Emergency Lighting

Regulations - Glare

Emergency fittings should be carefully positioned to avoid disability glare. This is caused when the brightness of the luminaire dazzles people, preventing obstructions or signs from being properly seen.

The table below shows the permitted glare limits, as set out in the current standard.

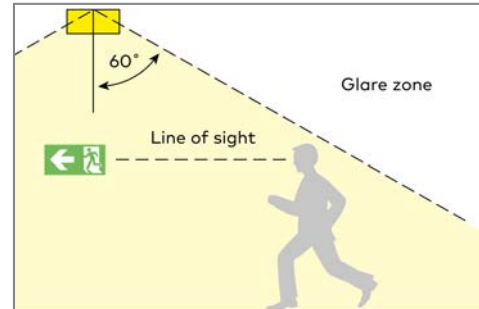
| Mounting Height h | Escape Route & Open Area Max. Luminous Intensity Imax | High Risk Max. Luminous Intensity Imax |
|-------------------|---|--|
| m | cd | cd |
| h<2.5 | 500 | 1000 |
| 2.5≤h<3.0 | 900 | 1800 |
| 3.0≤h<3.5 | 1600 | 3200 |
| 3.5≤h<4.0 | 2500 | 5000 |
| 4.0≤h<4.5 | 3500 | 7000 |
| 4.5<h | 5000 | 10000 |

GLARE

Disability glare data

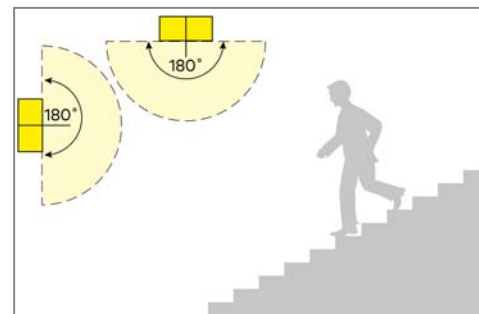
| Maximum intensity (cd) | Transverse | Axial |
|------------------------|------------|-------|
| Level route 60-90° | 64.2 | 8.0 |
| Non-level route 0-90° | 64.2 | 27.0 |

Levels of glare must be carefully considered when designing an emergency lighting scheme



HORIZONTAL ROUTES

The glare calculation takes into account the number of luminaires that can be seen and the glare contribution from each of these fittings. For horizontal routes, any glare above 60° is considered to contribute to the disability glare values.



CHANGE OF LEVEL

Whenever there are changes in level, glare levels should not be exceeded at all angles.

In the example shown in diagram 1, the Voyager Style luminaires are mounted transversely (with their longest point facing across the corridor) at a height of 2.4 metres. There are three emergency luminaires in the field of view. As a result, the level of disability glare is calculated as follows: $3 \times 64.2 = 192.6\text{cd}$

This value is significantly below the 500cd limit for luminaires mounted at 2.4 metres.

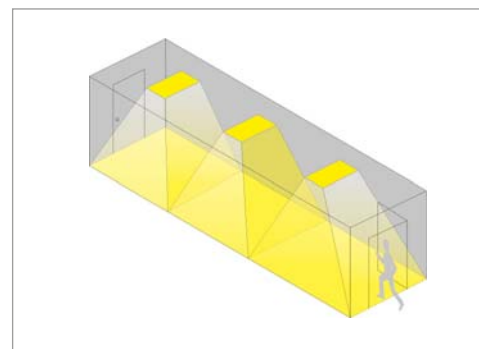


Diagram 1

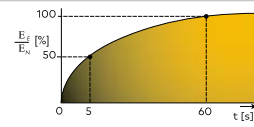
Emergency Lighting

Applications - Definitions and Requirement

The practical application of emergency lighting is dependent on the function of the area and the different types of emergency lighting required



ESCAPE ROUTE

| | |
|--|--|
| Definition | Clearly defined exit route, including moving walkways, which must always be kept clear |
| Routes | Considered as a 2m wide strip or a series of 2m strips |
| Lighting level | Minimum 1 lux on centre line at floor level. Minimum 0.5 lux on 0.5m either side of the centre line (50% of the route width) |
| Diversity: E _{max} :E _{min} Ratio of max illuminance to min illuminance | < 40 : 1 |
| Response time Time to reach emergency lighting levels | 50% in 5 sec 100% in 60 sec  |
| Colour rendering (Ra) | >40 |
| Glare: High contrast between luminaire and background leads to glare. Disability glare prevents people seeing properly | See table on page 216 |

Emergency lighting is designed to ensure safe evacuation of a building, reduce panic and confusion and safely manage high-risk tasks in the event of a mains power failure. As a result, emergency lighting can be split into three key sections: escape route, open area and high-risk task. As shown in the table, the requirements of the emergency lighting vary according to the specific section.

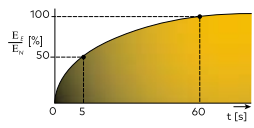


Fire call points, fire extinguishers and first aid points not on the escape route must be lit to 5 lux.

* Check local legislation

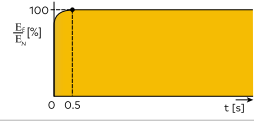


OPEN AREA

| | |
|--|--|
| Definition | Escape area - Open or re-configurable area, including covered car parks and stepped areas in covered stadia (excluding designated escape routes) |
| Areas | > 60m ² * |
| Lighting level | Minimum 0.5 lux in core area (excludes 0.5m border) |
| Diversity: E _{max} :E _{min} Ratio of illuminance to min illuminance | < 40 : 1 |
| Response time Time to reach emergency lighting levels | 50% in 5 sec 100% in 60 sec  |
| Colour rendering (Ra) | >40 |
| Glare: High contrast between luminaire and background leads to glare. Disability glare prevents people seeing properly | See table on page 216 |



HIGH-RISK TASK

| | |
|--|---|
| Definition | Areas where a hazardous activity must be made safe or terminated before evacuation. This should prevent injury to passers-by or damage to equipment or the building |
| Areas | Defined by task |
| Lighting level | 10% of maintained (normal) illuminance on the reference plane or at least 15 lux |
| Diversity: E _{max} :E _{min} Ratio of illuminance to min illuminance | < 10 : 1 |
| Response time Time to reach emergency lighting levels | 100% in 0.5 sec  |
| Colour rendering (Ra) | >40 |
| Glare: High contrast between luminaire and background leads to glare. Disability glare prevents people seeing properly | See table on page 216 |

Emergency Lighting

Applications - Case Study

This hypothetical application gives examples of areas that require emergency lighting.

1. Office Type: Open area
General requirements: computers widely used on modular deskings systems require the elimination of screen glare. Direct/indirect luminaires (like Jupiter 3 or IQ Wave) brighten the ceiling
Emergency requirements: open area. Exit signs must be visible from all points. Design integration with the use of emergency versions of mains fittings or a separate solution with Voyager LED.

2. Corridor Type: Escape route
General requirements: a link between different rooms where good levels of lighting are important, but without sacrificing ambience. Some spotlighting for specific features.
Emergency requirements: clearly defined escape routes. Directional exit signs must be used to clearly indicate the escape route. Design integrity maintained by using emergency versions of mains fittings (e.g. Leopard bulkhead or Chalice downlight) for infill lighting. Voyager LED with specific corridor optics offers maximum spacing.

3. Toilet/washroom area Type: Open area
General requirements: functional areas that must reflect the design approach of the building as a whole and provide adequate lighting.
Emergency requirements: open area. In toilet/washroom cubicles over 8m² two emergency* luminaires are required. These can be emergency versions of mains fittings or separate dedicated emergency products (e.g. Voyager Solid emergency luminaire). Toilet/washroom cubicles less than 8m² require emergency lighting if there is no 'borrowed' light (e.g. light coming in from a high level window).

4. Plant room Type: High-risk task
General requirements: good light levels, impact resistance and durability are key criteria.
Emergency requirements: high-risk task. Area-specific tasks must be completed in the event of mains failure. Special quick-response fittings such as Voyager Twin Spot ** or Voyager LED (task or spot)** should be used.

5. Show room Type: Open area
General requirements: use of spotlights highlights exhibition panels and exhibits. Downlights provide both general lighting and a dramatic atmosphere.
Emergency requirements: open area. Exit signs must always be visible. Emergency versions of downlights (e.g. Chalice) used to integrate with the design. An alternative option is Voyager LED Spot.

6. Conference suite Type: Open area
General requirements: good dimmable lighting is required, with a mixture of luminaires. Local spotlighting for lecture area.
Emergency requirements: open area. Exit signs must always be visible. Emergency versions of linear luminaires (e.g. Jupiter 3) integrate with the mains lighting scheme. Emergency versions of downlights (e.g. Chalice) used over clearly defined escape routes. Auditoria additionally require 0,1 lux along a line 1m above the floor. Escape stairs and routes must be lit in line with the normal requirements.

7. Reception Type: Open area
General requirements: an area requiring high visual impact, where use of decorative wall-mounted and ceiling-mounted products create a stylish ambience, whilst downlights and spotlights add focus.
Emergency requirements: open area. In public spaces, exit signs must be lit whenever there are people in the building. Stairs require a minimum of 1 lux on the tread of each stair. Emergency versions of wall-mounted and ceiling-mounted decorative products (e.g. Glacier II pendant or Chalice downlights) integrate with the design and provide strong visual impact.
Stylish exit signs match the design-led focus of this area (e.g. Voyager LED).

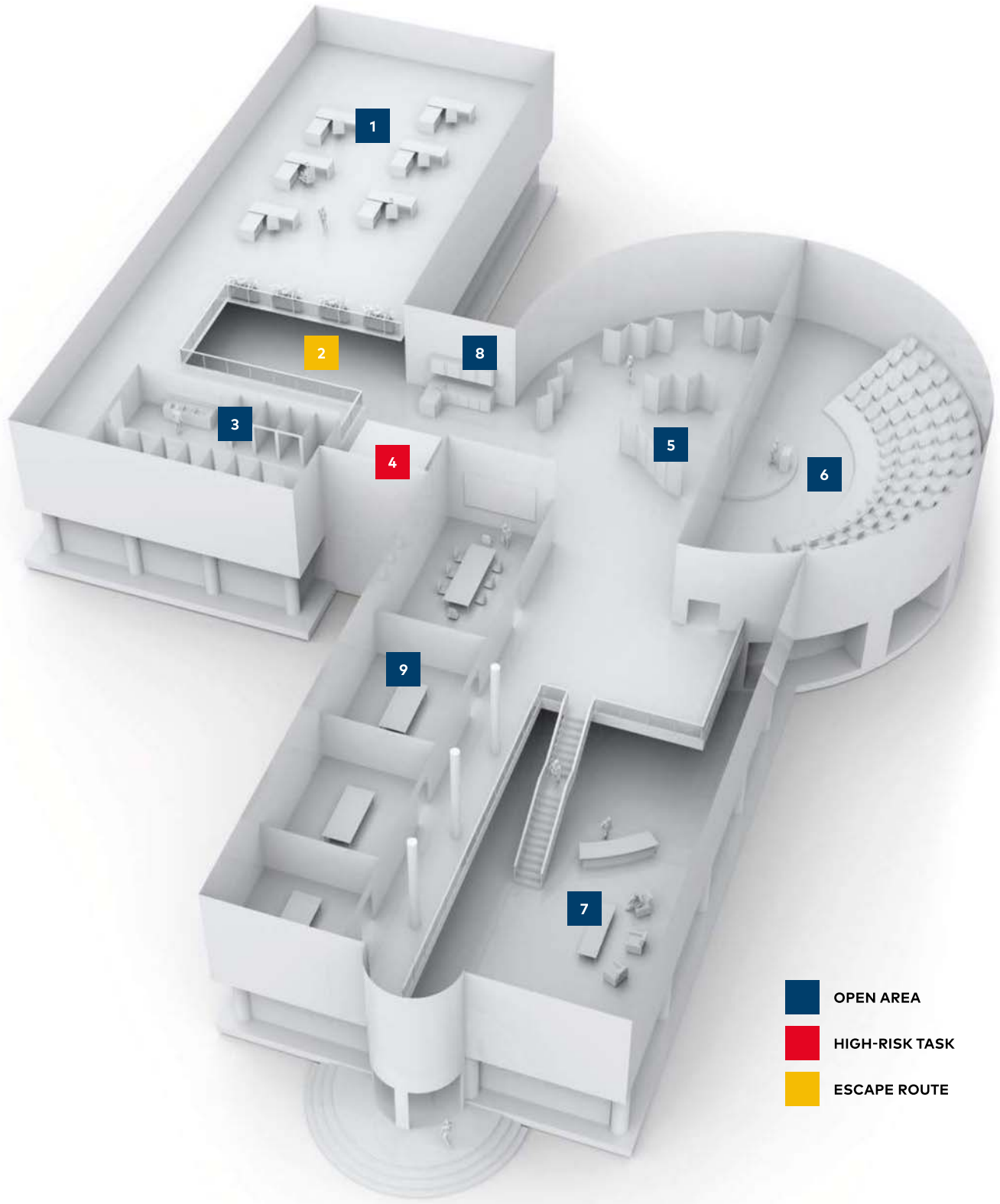
8. Kitchens Type: Open area + High-risk task
15 lux in 0.5 sec on the cooker surface***

9. Treatment Room Type: Open area + High risk task
15 lux in 0.5 sec on treatment area, normally the bed or couch.***

*EN50172 requires a minimum of 2 emergency luminaires to be used in open areas and compartments of an escape route (e.g. part of a corridor between fire doors).

**Plant rooms without moving machinery or with low potential risks can be lit as standard open areas. Generator rooms require self-contained emergency luminaires.

***For kitchens or treatment rooms you must consider the environment when specifying the luminaires (e.g. Duoproof IP65 for a kitchen where there are high levels of grease in the atmosphere.)



Emergency Lighting

Maintaining a Scheme

Emergency lighting design schemes are used to ensure that the installation will meet required lighting levels and protect the occupants with escape route, open area and high-risk task lighting.

Once the scheme is installed and commissioned, it is essential that the luminaires are properly maintained and ready to perform in the event of an emergency. To make sure installed emergency products are always fit for purpose, regular testing has to be conducted by the building operator and a record of these tests has to be kept.

| Frequency | Nature of Test | Purpose |
|-----------|--|--|
| Daily | Check all LED charging indicators are in operation | Make sure that the batteries are being charged |
| Monthly | Conduct a functional test of all emergency luminaires | Check that the luminaire will operate in the emergency mode |
| Annually | Perform a full duration test of all emergency luminaires | Confirm that the battery capacity will power the product for the required 3-hour time period |

Central Addressable Testing

Every emergency luminaire is connected to an intelligent local controller that automatically conducts all the necessary tests and stores the full results in one central location. SB128 - Emergency Monitoring Solution SB128 is a central addressable testing system that provides fully automatic monitoring, testing and fault logging for up to 256 emergency fittings. SB128 monitors luminaires with integral batteries over DALI - with an expected 3-year battery life. This system delivers a range of benefits:

- Ultimate convenience for emergency lighting testing.
- All results automatically stored in one location. No need for paperwork.

- Fault logging function identifies each luminaire, the location and the precise nature of the fault.
- All tests conducted at a convenient time, depending on the usage of the application
- Group testing staggers the testing to minimise the risk of depleted batteries.
- Simple to install and commission.
- SB128 is a central addressable testing system that provides fully automatic monitoring, testing and fault logging for up to 256 emergency fittings. SB128 monitors luminaires with integral batteries over DALI - with an expected 3-year battery life.

ORDERING GUIDE

| Description | SAP Code |
|------------------------|----------|
| SB128 | |
| LOCAL SB128 CONTROLLER | 22156829 |
| LOCAL EXTENDER | 22156830 |
| LOCAL REMOTE DISPLAY | 22161514 |
| 24V PSU | 22161815 |

Please discuss individual application requirements with your local sales representative before ordering Sensa products. Commissioning by a Thorn engineer will be required.

All emergency lighting schemes have to comply with European legislation and regulations

Testing Emergency Lighting Products

Emergency lighting products have to be tested regularly to meet the requirements of European law. As shown above, the standard BS EN 50172 stipulates the precise nature and frequency of the testing.

A full record sheet needs to be maintained for each emergency fitting. These sheets have to be available for inspection by the authorities at any time.

Failure to provide full test records can result in legal action and closure of the building. In the event of an emergency, if the emergency lighting is defective, the insurance policy for the building may be invalidated and the building operator could face a heavy fine or imprisonment.

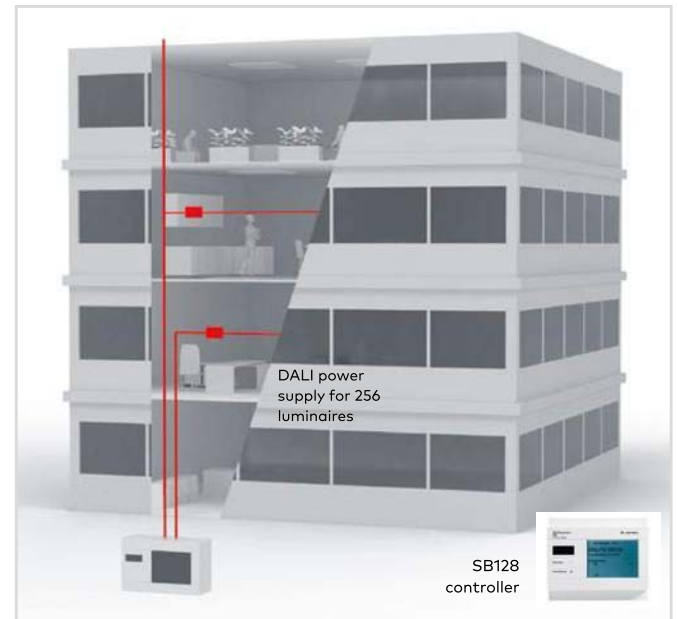
Recent changes to the laws governing emergency lighting have shifted the responsibility for the risk assessment, maintenance and testing to the building operator. This testing can be tedious, costly and time consuming.

Making Life Easy

To help building operators maintain a fully functional emergency lighting scheme that meets the full raft of legal requirements, Thorn offers three testing solutions:

- DALI
- Autotest
- Manualtest

E3D (E3DX) emergency gear offers Autotest and DALI functionality in a single fitting. E3D (E3DX) luminaires operate as SelfTest when standalone and become Dali when connected to either a Sensa 2 or Sensa 3 lighting controls system.



Applications

This system is particularly suitable for small to medium projects looking for an easy and convenient way of maintaining their emergency lighting scheme for stringent inspection. Prime examples include schools, colleges, small offices, surgeries, libraries and public buildings.

eBOX

eBOX enables the building operator to monitor and manage the emergency lighting scheme from anywhere through an IP web browser end-user interface. A compact solution with building-wide monitoring (DALI line NDA) and power supply (battery providing AC under normal operation and DC power in emergency) with an expected 10-year battery life.

Applications

eBOX has the capability to control an infinite number of emergency luminaires. In applications such as university accommodation blocks, hotels, large offices, hospitals and airports, eBOX will deliver significant time and cost savings in terms of maintenance and inspection.

Automatic Self Testing

Each self test emergency luminaire contains an intelligent diagnostic processor that automatically performs the testing and uses the integrated bi-colour LED indicator to show the test results.

SelfTest fittings provide simple and reliable standalone automatic testing solutions. The building operative then only has to walk around the building once a month and check the status of the LED indicators. The overall results must be recorded in a central log book, including details of any failures.

22 March 2018

All LEDs showing green.

System clear of all faults.

5th May 2018

One LED showing steady red.

Luminaire opposite the lift on second floor requires lamp replacement. All other LEDs showing green.



SelfTest fittings offer a variety of benefits:




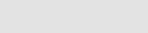
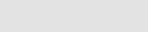
- Easy to install, with no additional cabling and automatic self-commissioning
- The building owner only needs to walk round the building once a month and record the results
- Faster than average recharge time for emergency batteries (around 10 – 15 hours, compared to 24 hours for Manual Test fittings)
- 3 hours operation, to facilitate re-entry following an evacuation
- Bi-colour LED (red and green) to provide clear status indication
- Intelligent processor learns to test while the building is unoccupied, reducing potential risk

Applications

SelfTest is an ideal testing solution for small applications or building refurbishments.

Prime examples include small shops, offices and public buildings.

| Test | LED Indicator | Duration | Frequency | EN requirement |
|--|---|--------------|-----------|----------------|
| Function Test (Briefly power luminaire from battery simulate mains failure) | Green rapid flash  | 30 seconds | Weekly | Monthly |
| Duration Test (Power luminaire for full rated duration) | Green slow flash  | 1 or 3 hours | Annually | Annually |

| Component | LED Indicator | Status | Action |
|-----------|--|--------------|------------------------|
| Battery | Green steady  | Healthy | OK |
| | Red slow flash  | Low | Wait 24hrs and recheck |
| | Red rapid  | Not charging | Service required |
| Lamp | Green steady  | Healthy | OK |
| | Red steady  | Failure | Service required |

Basic Manual Testing

This kind of emergency luminaire relies on intensive human intervention to comply with the stringent testing regulations.

Every month a competent individual must walk around the site and manually switch the fittings into the emergency test mode. This will initiate a functional test, after which an individual record sheet must be completed and safely stored. The same process must be carried out for the 3-hour duration test once every year.

In this case, the LED indicator only shows whether the battery is being charged. Any further fault requires manual examination of the fitting. Combined with the fact that a competent individual has to walk around the site every month, basic manual testing luminaires incur high whole-life costs due to expensive labour charges for testing and maintenance.

Applications

Basic manual test is suitable for budget-driven installations where the whole-life costs are not considered

Emergency Lighting

Authentic Emergency Luminaires



Integrated Emergency Luminaires: Authentic Products vs Third-Party Conversions

There are two main ways of producing integrated emergency luminaires:

- Specific emergency versions of standard fittings
This type of emergency fitting is produced alongside the standard versions of the same fitting, using the same production methods but to a specific tested design.
- Converted standard luminaires
These products are finished versions of standard luminaires that are then fitted with an emergency kit at a later date.



Genuine Thorn Emergency Products

With over forty years experience in emergency lighting manufacturing, Thorn only offer products that are designed, manufactured and tested to meet the latest European legislation, including:

BS EN 60598-1 2015

BS EN 60598-2-22 2014

BS 5266-1 2016

BS 5499-1 2002

CE mark

Thorn only produce specifically designed emergency luminaires to comply with these increasingly stringent requirements. Thorn does not convert standard products.

High-quality components, such as diffusers and batteries, are always used by Thorn to ensure optimum performance in all situations and full compliance with the full range of standards and regulations.

Thorn emergency fittings are tested in our BSI-registered photometric laboratory to make sure that the correct light output levels can be achieved. These figures can then be used to calculate the best possible emergency lighting design scheme and reduce the level of on-site testing prior to hand over.

Regulations on Electro-magnetic Compatibility (EMC) state that luminaires should not emit or be susceptible to electro-magnetic radiation above certain designated levels. Recent revisions to these standards require luminaires to still meet these levels when operating in the emergency mode. All Thorn emergency fittings comply with these requirements.



The Dangers of Emergency Conversions by a Third Party

Standard fittings that are converted into emergency versions by a third party are subject to a number of potential risks.

This may result in failure to comply with legal standards and is likely to negatively impact on the safety, performance and maintenance of the product.

A third party carrying out any modifications immediately takes full legal responsibility for the product.

A number of factors should be taken into account when considering a standard fitting converted by a third party:

- **EMC Conformity**
Many third-party converters are not able to conduct the exacting series of tests required to measure the electro-magnetic performance. This means many fittings produced in this way do not conform to the latest regulations and could ultimately lead to criminal prosecution.
- **Component Quality**
The use of low-cost or poor-quality components will lead to early product mortality and failure to perform fully in an emergency situation. Potential issues include reduced battery life, over-heating, lamp and circuit issues and low light output.
- **Photometric Performance**
Approved photometric data is required to ensure a lighting design scheme will deliver the specified output needed to protect the safety of people within the premises. A luminaire converted by a third party will need to be photometrically tested or the full installation will have to be measured according to EN1838 once the solution is installed.
- **CE Marking**
The CE mark is a mandatory requirement for all luminaires on sale in Europe. This marking proves that the product conforms to all relevant safety standards. Conformity requires extensive testing at normal and abnormal conditions and is the responsibility of the last party to modify the product.
- **Warranty**
Any Thorn lighting product that has been tampered with by a third party immediately loses the original manufacturer warranty. Legally binding warranties, including certificates such as the CE marking, become the responsibility of the third party, who are then exposed to product liability claims.
- **WEEE & Battery Directive**
All Thorn products come with full WEEE compliance already covered. Thorn also operates a battery replacement and return scheme to comply with the requirements of the Battery Directive.
Any failure of the product during an emergency situation, leading to loss of life, personal injury or damage to property, will expose these parties to criminal prosecution and significant claims for damages through the civil courts. Insurance policies held by the third parties frequently stop short of covering them if this situation arises.
- **Trade Mark Infringement**
Any product modified by a third party cannot be passed off as an authentic Thorn lighting emergency product. It is illegal to pass off a converted product as a genuine Thorn fitting. Such unlawful practice exposes the perpetrator and all participants in the supply chain to civil litigation.

For complete peace of mind, always look out for the Thorn authentic emergency product logo. This tamper-proof label clearly indicates the integrity of the fitting and is proof of the quality, performance and conformity.

New emergency SAP description keys

| | | | | |
|----------------------|-------------------|--------------------|-----------------|-----------|
| VOYAGER STYLE | MS | ANT | ECS | WH |
| Product family | Mounting versions | Light distribution | Supply versions | Colour |

Mounting

| | | | |
|----------------------------|----------------------|---------------------------|----------|
| M | S | - | - |
| Mounting type | Mounting surface | Option remote box | |
| R Recessed | C Ceiling | R Remote box | |
| S Surface | W Wall | - No remote box | |
| SR Semi-recessed | - Flexible | | |

Other Mountings

| | |
|------------------------|------------------------------|
| PRIM Primata | KIT Emergency kits |
|------------------------|------------------------------|

Options

- BP** Ball-proof
- CCS** Concrete casting surround
- QC** Quadratic cover
- FCC** Frame cable ceiling
- FCW** Frame cable wall
- FSR** Frame-suspended to recessed (mounting frame)

Suspension type xx length

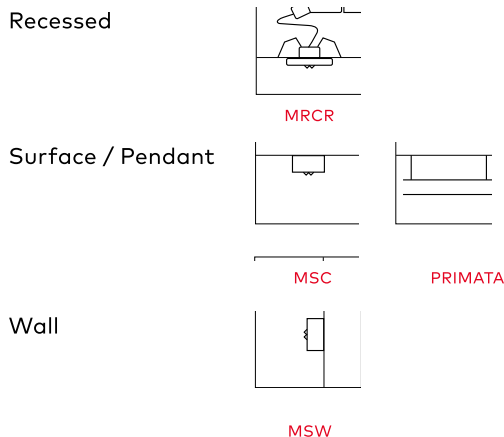
- WFxx**
Wire feed
- Cxx**
Chain
- Rxx**
Rod

Emergency

| | | | |
|------------------------------------|-----------------------------------|----------|----------|
| E | C | S | X |
| Duration time/supply version | Communication | | |
| 1 1-hour self-contained | - No communic./manual | | |
| 3 3-hours self-contained | T Self Test | | |
| C Central battery 230 V | D DALI (incl. Autotest) | | |
| | C Circuit monitoring | | |
| | S Set 009 | | |

| | |
|-----------------------------|------------------------------------|
| Switching modes | Switchable with L' |
| M Maintained | S Switchable with L' |
| NM Non-maintained | - Not switchable with L' |
| - Both possible | |

Mounting type



Self-contained



Central battery



VOYAGER STYLE 115

Product family

MS-WF 115

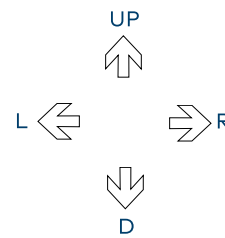
Mounting versions

SM-S

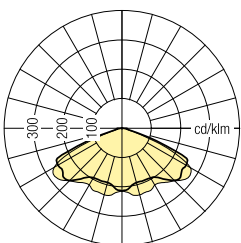
Safety versions

Safety sign

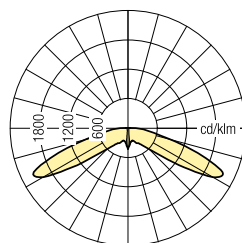
| S | P | 1 | R |
|----------------------------|---|----------------|------------------------|
| Legend types | | Printed sides | Arrow direction |
| G Safety sign glued | | 1 One-sided | UP Arrow up |
| M Safety sign mountable | | 2 Two-sided | D Arrow down |
| P Safety sign printed | | | L Arrow left |
| | | | R Arrow right |
| | | | S Set of directions |



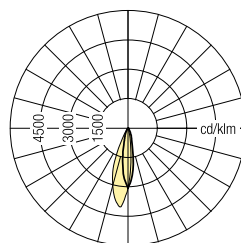
Light distribution



ANT



ESC



Spot

ANT Anti-panic
ESC Escape
Spot Spot



NEW

Voyager Solid



www.thornlighting.co.uk/VYSO
www.thornlighting.ie/VYSO

The bulkhead that makes
emergency lighting easy



- Changeable inlets: Avoiding the imperfect solutions with pictograms on stickers with trapped airbubbles, dust inclusions and no mechanical protection. Voyager Solid's pictograms are protected inside the luminaire
- Multiple mountings: The luminaire can be installed in a number of configurations thanks to mounting options for walls and ceilings, and even a semi-recessed ceiling-mounted option
- Testing options: Voyager Solid offers a variety of testing options as it is available in SelfTest and SelfTest, Addressable Test/DALI
- Flexible, switch allows luminaire to be installed as maintained or non-maintained

MATERIAL/FINISH

Luminaire housing made of white polycarbonate, cover made of transparent polycarbonate.

INSTALLATION/MOUNTING

Comfortable installation with hinged electronics and big wiring space.

SPECIFICATION

To specify state:
Self contained emergency luminaire for ceiling and wall mounting. Semi-recessed mounting with optional adaptor possible. Orderable exchangeable inlets for use as safety sign. Manual or SelfTest or SelfTest, Addressable Test/DALI capability. As Thorn Voyager Solid



LAMPS

LED 6-8W

STANDARDS

IP65 IK03 CE

ORDERING GUIDE

Legend kits (ISO/BSEN) to be ordered separately.

| Description | SAP Code | Cat. No. |
|--|----------|----------|
| Voyager Solid | | |
| VOYAGER SOLID L MS E3D-S WH | 96629766 | VYSOLE3D |
| VOYAGER SOLID L MS E3-S WH | 96629764 | VYSOLE3 |
| VOYAGER SOLID L MS E3T-S WH | 96629765 | VYSOLE3T |
| VOYAGER SOLID MS E3D-S WH | 96629763 | VYSOE3D |
| VOYAGER SOLID MS E3-S WH | 96629761 | VYSOE3 |
| VOYAGER SOLID MS E3T-S WH | 96629762 | VYSOE3T |
| Voyager Solid Legends | | |
| VOYAGER SOLID L LEGENDSET SM-1S | 96629768 | VYSOLLEG |
| VOYAGER SOLID LEGENDSET SM-1S | 96629767 | VYSOLEG |
| Voyager Solid Accessories | | |
| VOYAGER SOLID FSR WH | 96629769 | |
| VOYAGER SOLID L FSR WH | 96629770 | |
| Voyager Solid Spares | | |
| VOYAGER SOLID ACCU NICD 1,5AH (FOR DALI) | 59009286 | |
| VOYAGER SOLID ACCU NIMH 2,2AH | 59009287 | |

To make reading our ordering guides easier please use the SAP description key fold out, inside the back cover. For more information please visit our website www.thornlighting.com and simply search for our products.

SOLID WITHOUT OPAL INLET

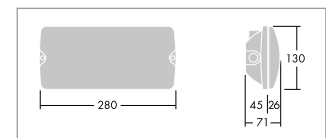
| h | antipanic (0,5 lx) | | escape (1 lx) | |
|------|--------------------|-------|---------------|------|
| | a1 | a2 | a1 | a2 |
| 2.50 | 2.65 | 8.00 | 2.90 | 7.50 |
| 3.00 | 2.75 | 8.75 | 2.95 | 7.95 |
| 3.50 | 2.85 | 9.25 | 2.90 | 8.25 |
| 4.00 | 2.95 | 9.75 | 2.80 | 8.35 |
| 4.50 | 2.90 | 10.15 | 2.60 | 8.35 |
| 5.00 | 2.90 | 10.50 | 2.20 | 8.20 |

SOLID L WITHOUT OPAL INLET

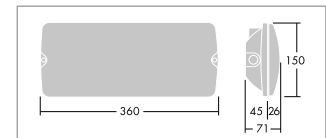
| h | antipanic (0,5 lx) | | escape (1 lx) | |
|------|--------------------|-------|---------------|------|
| | a1 | a2 | a1 | a2 |
| 2.50 | 2.00 | 11.35 | - | 5.75 |
| 3.00 | 1.05 | 11.75 | - | 3.10 |
| 3.50 | - | 11.00 | - | - |
| 4.00 | - | 10.10 | - | - |
| 4.50 | - | 8.85 | - | - |
| 5.00 | - | 7.50 | - | - |

Key
 h - height of the room
 a1 - distance of the luminaire to the wall
 a2 - distance from luminaire to luminaire

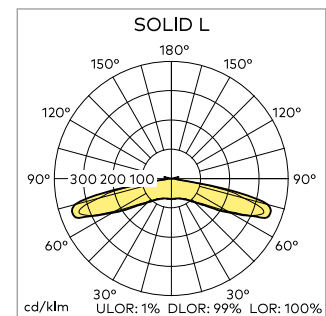
All values in metres
 All values for ta - 30°C
 Maintenance factor - 0.8
 Values for E3D Version



Voyager Solid



Voyager Solid L



NEW

Voyager

Style



www.thornlighting.co.uk/VYST
www.thornlighting.ie/VYST

The ultra-slim emergency luminaire



- Ultra-slim: Thorn's Voyager Style shows that emergency luminaires don't have to be bulky or obtrusive. At just 37mm thick, this understated fitting can blend into any interior, and is easy to mount in a variety of configurations
- Power options: Whether your emergency lighting system relies on self-contained battery-powered luminaires or a central battery system, Voyager Style meets your needs
- Sleek and simple: The wide range of mounting options means Voyager Style can fit in wherever you need emergency light. The recessed mounting option makes for a particularly unobtrusive appearance
- Legends included with luminaire

MATERIAL/FINISH

Luminaire housing made of white polycarbonate and transparent polycarbonate cover.

INSTALLATION/MOUNTING

Tool-less 'Click'- mounting after fitting the housing base.

SPECIFICATION

To specify state:
Flexible emergency luminaire for various mounting possibilities that can be even extended with an adapter. Only 37mm housing depth for state of the art design. Orderable as safety sign or safety luminaire. Manual, SelfTest, circuit monitoring or SET009 in combination with CPS (only central supply) version capability.
As Thorn Voyager Style.



LAMPS

LED

4.5-5.5W

STANDARDS

IP43 IK03 CE

ORDERING GUIDE

Legend Kits (ISO/BSEN) included in Voyager Style Kit.

| Description | SAP Code | Cat. No. |
|--|----------|-----------|
| Voyager Style Surface exit sign | | |
| VOYAGER STYLE 115 MS E3 SM-S WH | 96222359 | VYSTSSF3 |
| VOYAGER STYLE 115 MS E3T SM-S WH | 96222360 | VYSTSSF3T |
| VOYAGER STYLE 115 MS ECC SM-S WH | 96222361 | |
| VOYAGER STYLE 115 MS ECS SM-S WH | 96222362 | |
| Voyager Style Suspended exit sign | | |
| VOYAGER STYLE 115 MS-WF15 E3 SM-S WH | 96222363 | VYSTSE3 |
| VOYAGER STYLE 115 MS-WF15 E3T SM-S WH | 96222364 | VYSTSE3T |
| VOYAGER STYLE 115 MS-WF15 ECC SM-S WH | 96222365 | |
| VOYAGER STYLE 115 MS-WF15 ECS SM-S WH | 96222366 | |
| VOYAGER STYLE 150 MS-WF15 E3 SM-S WH | 96222367 | VYSTLSE3 |
| VOYAGER STYLE 150 MS-WF15 E3T SM-S WH | 96222368 | VYSTLSE3T |
| VOYAGER STYLE 150 MS-WF15 ECC SM-S WH | 96222369 | |
| VOYAGER STYLE 150 MS-WF15 ECS SM-S WH | 96222370 | |
| Voyager Style Luminaire | | |
| VOYAGER STYLE MS ANT ECS WH | 96222382 | |
| VOYAGER STYLE MS ESC ECS WH | 96222383 | |
| Voyager Style Accessory | | |
| VOYAGER STYLE FSR WH | 96222371 | |
| VOYAGER STYLE 115 LEGEND SM-1UP | 96630601 | |
| VOYAGER STYLE 150 LEGEND SM-1UP | 96630602 | |

To make reading our ordering guides easier please use the SAP description key fold out, inside the back cover. For more information please visit our website www.thornlighting.com and simply search for our products.

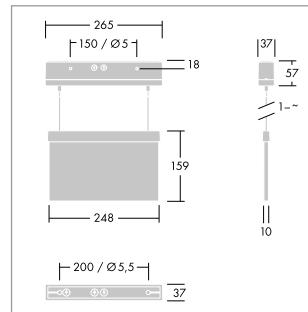
STYLE ANT

| h | antipanic (0,5 lx) | |
|------|--------------------|-------|
| | a1 | a2 |
| 2.50 | 3.10 | 9.30 |
| 3.00 | 3.25 | 10.05 |
| 3.50 | 3.45 | 10.85 |
| 4.00 | 3.50 | 11.45 |
| 4.50 | 3.20 | 11.85 |
| 5.00 | 3.15 | 12.35 |

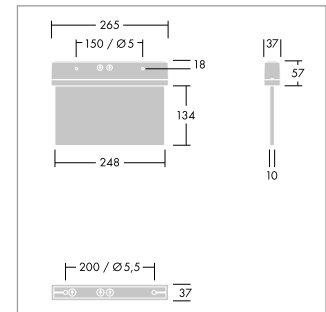
STYLE ESC

| h | escape (1 lx) | |
|------|---------------|-------|
| | a1 | a2 |
| 2.50 | 7.40 | 18.35 |
| 3.00 | 8.10 | 19.60 |
| 3.50 | 8.55 | 20.95 |
| 4.00 | 8.85 | 22.40 |
| 4.50 | 7.50 | 23.50 |
| 5.00 | - | 23.25 |

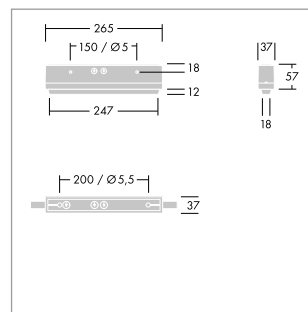
Key
 h - height of the room
 a1- distance of the luminaire to the wall
 a2 - distance from luminaire to luminaire
 All values in metres
 All values for ta - 30°C
 Maintenance factor - 0.8
 Values for ECS version



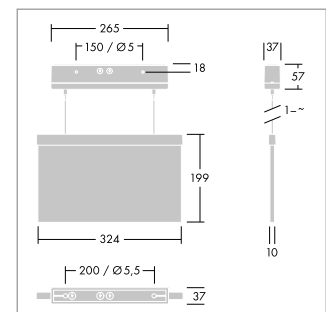
Voyager Style 115 Suspended Exit Sign



Voyager Style Surface Exit Sign



Voyager Style Luminaire



Voyager Style 150 Suspended Exit Sign

NEW

Voyager

Fit



www.thornlighting.co.uk/VOYF
www.thornlighting.ie/VOYF

Super compact, long lasting,
easy to use



LAMPS

LED 2.5-5.5W

STANDARDS



- Self-contained emergency luminaires rely on long-lasting batteries. Voyager Fit's high-tech lithium iron phosphate battery is robust and comes with a three-year warranty, giving users peace of mind
- Voyager Fit is so small that it can be installed almost anywhere with very little impact on ceilings. And because it only requires an 80 mm ceiling void, even buildings with limited space can benefit from the latest in LED emergency lighting
- Voyager Fit's interchangeable lenses make it easy to get the light distribution you need for your emergency lighting system. The lenses are easy to fit by simply clicking them into place. All three lens (Escape Route, Spot and Anti-Panic) are included with Voyager Fit

MATERIAL/FINISH

Luminaire housing made of white polycarbonate, lenses made of transparent polycarbonate, red rubber strap for battery connection.

INSTALLATION/MOUNTING

Tool less installation with mounting springs for ceiling thicknesses from 1-25mm.

SPECIFICATION

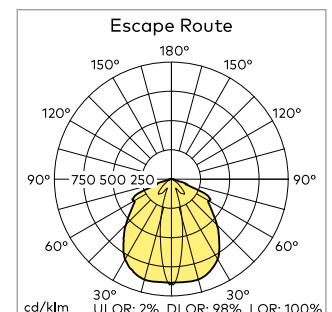
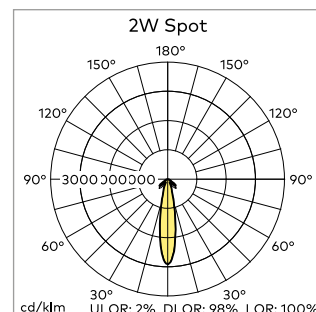
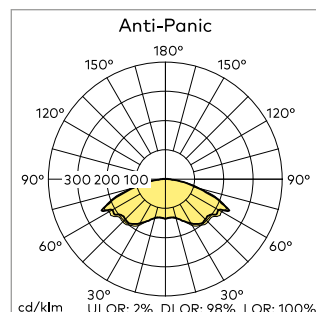
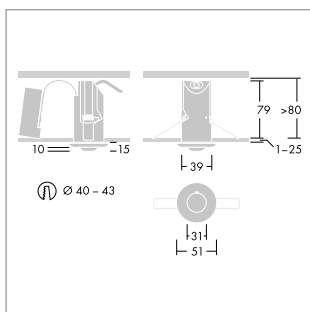
To specify state:
Self contained emergency luminaire for recessed mounting in ceilings with interchangeable lenses for most flexible optimized illumination for escape, antipanic and spot lighting. Only 80 mm ceiling voids necessary and small dimensions for unobtrusive installation. Manual or SelfTest, Addressable Test/DALI - version capability.
As Thorn Voyager Fit.

ORDERING GUIDE

| Description | SAP Code | Cat. No. |
|------------------------|----------|-----------|
| Voyager Fit | | |
| VOYAGER FIT MRC E3 NM | 96629566 | VYFITRE3 |
| VOYAGER FIT MRC E3D NM | 96629568 | VYFITRE3D |

To make reading our ordering guides easier please use the SAP description key fold out, inside the back cover. For more information please visit our website www.thornlighting.co.uk and simply search for our products.

| h | antipanic (0,5 lx) | | escape (1 lx) | | spot (5lx) | Key |
|------|--------------------|-------|---------------|-------|------------|---|
| | a1 | a2 | a1 | a2 | a1 | |
| 2.50 | 3.70 | 10.70 | 4.65 | 11.55 | 2.20 | h - height of the room a1 - distance of the luminaire to the wall a2 - distance from luminaire to luminaire All values in metres All values for ta - 30°C Maintenance factor - 0.8 |
| 3.00 | 3.70 | 11.75 | 4.70 | 12.55 | 2.40 | |
| 3.50 | 3.70 | 12.75 | 4.95 | 13.20 | 2.40 | |
| 4.00 | 3.55 | 13.70 | 5.15 | 13.25 | 2.50 | |
| 4.50 | 3.50 | 14.20 | 5.30 | 13.65 | 2.50 | |
| 5.00 | 3.35 | 14.65 | 5.40 | 14.05 | 2.50 | |



NEW

Voyager

Twinspot

The featherweight LED twin spot luminaire for large open area and high risk applications

www.thornlighting.co.uk/VOYT
www.thornlighting.ie/VOYT



- Comfortable installation due to low weight, prepared knockouts for cable inlets and adjustable heads to match light output to application
- The Twin Spot is one of the lightest and slimmest twinspace luminaires on the market with a weight of only 1,7kg and 87mm total depth
- IP65 as standard to protect against challenging environment and reliable operation
- Lumen output for Twinspot is 400lm (2x245lm)

MATERIALS/FINISH

Enclosure: grey polycarbonate
 Heads: black

INSTALLATION/MOUNTING

Enclosure has screw locked front panel seal. Knockouts prepared for cable entry. Units should be mounted at least 30° above the line of sight.

SPECIFICATION

To specify state:
 IP65 Twin spot LED luminaire with adjustable heads in the horizontal and vertical planes
 As Thorn Voyager Twinspot.

LAMPS

 LED 25W

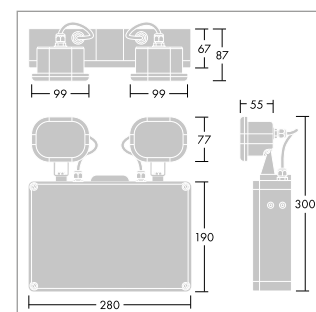
STANDARDS

 IP65  T₄40 

ORDERING GUIDE

| Description | Wt (kg) | SAP Code | Cat. No. |
|---------------------------------|---------|----------|----------|
| Voyager Twinspot | | | |
| VOYAGER TWIN SPOT MSW E3D-NM WH | 1.70 | 96629825 | VYTWSE3D |
| VOYAGER TWIN SPOT MSW E3-NM WH | 1.70 | 96629824 | VYTWSE3 |

To make reading our ordering guides easier please use the SAP description key fold out, inside the back cover. For more information please visit our website www.thornlighting.co.uk and simply search for our products.





www.thornlighting.co.uk/VYLD
www.thornlighting.ie/VYLD



- Flexible, can be installed to function as a non maintained, maintained or switched maintained emergency luminaire
- Sustainable, NiMH Battery, environmentally friendly, higher power density
- Efficient, high power LED technology gives excellent performance and spacing, low parasitic power consumption and a long life/low maintenance
- Discreet, good looking, compact with recessed options

MATERIALS/FINISH

Surface mounting version - Body: cast aluminium alloy, finished in RAL 9016 white or RAL 9006 metallic silver. Recessed version - aluminium alloy reflector, finished in RAL 9016 white or RAL 9006 metallic silver, polycarbonate housing for battery and control gear.

INSTALLATION/MOUNTING

Surface mounting with rear and side entry. Recessed version cable entry into remote control gear.

SPECIFICATION

To specify state:

Compact LED based, self contained luminaire, suitable for recessed or surface mounting with optics optimised for Escape Routes, Open Areas and Accent lighting. 3 hours emergency duration from Nickel Metal Hydride batteries, maintained operation. Manual (E3) or Self/Addressable (E3TX/E3D) Test capability.

As Thorn Voyager LED Series.

ORDERING GUIDE*

| Description | Wt (kg) | SAP Code | Cat. No. |
|-----------------------------------|---------|----------|-------------|
| Area | | | |
| VOYAGER C LED AREA KIT E3M | 0.50 | 96548990 | VYLEDAMKIT |
| VOYAGER C LED AREA MCE E3M SIL | 0.90 | 96548982 | VYLEDAMSS |
| VOYAGER C LED AREA MCE E3M WHI | 0.90 | 96548984 | VYLEDAMWWS |
| VOYAGER C LED AREA MRE E3M SIL | 0.90 | 96548986 | VYLEDAMSR |
| VOYAGER C LED AREA MRE E3M WHI | 0.90 | 96548988 | VYLEDAMWWR |
| VOYAGER C LED AREA KIT E3TX | 0.50 | 96548991 | VYLEDAXKIT |
| VOYAGER C LED AREA MCE E3TX SIL | 0.90 | 96548983 | VYLEDAXSS |
| VOYAGER C LED AREA MCE E3TX WHI | 0.90 | 96548985 | VYLEDAXWS |
| VOYAGER C LED AREA MRE E3TX SIL B | 0.90 | 96548987 | VYLEDAXSR |
| VOYAGER C LED AREA MRE E3TX WHI | 0.90 | 96548989 | VYLEDAXWR |
| Route | | | |
| VOYAGER C LED ROUTE KIT E3M | 0.50 | 96548980 | VYLEDRMKIT |
| VOYAGER C LED ROUTE MCE E3M SIL | 0.90 | 96548972 | VYLEDRMSS |
| VOYAGER C LED ROUTE MCE E3M WHI | 0.90 | 96548974 | VYLEDRMWWS |
| VOYAGER C LED ROUTE MRE E3M SIL | 0.90 | 96548976 | VYLEDRMSR |
| VOYAGER C LED ROUTE MRE E3M WHI | 0.90 | 96548978 | VYLEDRMWWR |
| VOYAGER C LED ROUTE KIT E3TX | 0.50 | 96548981 | VYLEDRXKIT |
| VOYAGER C LED ROUTE MCE E3TX SIL | 0.90 | 96548973 | VYLEDRXSS |
| VOYAGER C LED ROUTE MCE E3TX WHI | 0.90 | 96548975 | VYLEDRXWS |
| VOYAGER C LED ROUTE MRE E3TX SIL | 0.90 | 96548977 | VYLEDRXSR |
| VOYAGER C LED ROUTE MRE E3TX WHI | 0.90 | 96548979 | VYLEDRXWR |
| Spot | | | |
| VOYAGER C LED SPOT KIT E3M | | 96548969 | VYLEDSPKIT |
| VOYAGER C LED SPOT MCE E3M SIL | 0.90 | 96548965 | VYLEDSPSS |
| VOYAGER C LED SPOT MCE E3M WHI | 0.90 | 96548967 | VYLEDSPWWS |
| VOYAGER C LED SPOT MRE E3M SIL | 0.90 | 96548992 | VYLEDSPSR |
| VOYAGER C LED SPOT MRE E3M WHI | 0.90 | 96548994 | VYLEDSPWWR |
| VOYAGER C LED SPOT KIT E3TX | | 96548970 | VYLEDSPKIT |
| VOYAGER C LED SPOT MCE E3TX SIL | 0.90 | 96548966 | VYLEDSPSS |
| VOYAGER C LED SPOT MCE E3TX WHI | 0.90 | 96548968 | VYLEDSPWWS |
| VOYAGER C LED SPOT MRE E3TX SIL | 0.90 | 96548993 | VYLEDSPSR |
| VOYAGER C LED SPOT MRE E3TX WHI | 0.90 | 96548995 | VYLEDSPWWR |
| Accessory | | | |
| VOYAGER C LED MCE BESA | 0.20 | 96548971 | VYLEDSPBESA |

To make reading our ordering guides easier please use the SAP description key fold out, inside the back cover. For more information please visit our website www.thornlighting.co.uk and simply search for our products.

*This ordering guide uses the old versions of our abbreviations, please see the abbreviations on the back cover for these products.



VOYAGER LED SERIES E3

| h | antipanic (0,5 lx) | | escape (1 lx) | | spot (5lx) |
|------|--------------------|-------|---------------|-------|------------|
| | a1 | a2 | a1 | a2 | a1 |
| 2.50 | 2.35 | 8.95 | 5.75 | 13.30 | 2.15 |
| 3.00 | 1.40 | 9.85 | 6.25 | 14.80 | 2.30 |
| 3.50 | 0.75 | 10.20 | 6.40 | 16.15 | 2.30 |
| 4.00 | - | 9.55 | 5.40 | 17.30 | 2.05 |
| 4.50 | - | 8.95 | 1.40 | 16.65 | - |
| 5.00 | - | 8.15 | - | 13.00 | - |

Key
h - height of the room
a1 - distance of the luminaire to the wall
a2 - distance from luminaire to luminaire

All values in metres
All values for $t_a = -30^\circ\text{C}$
Maintenance factor - 0.8
Values for ECS version

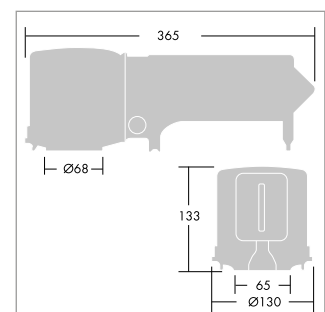
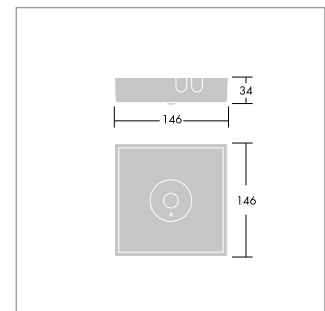
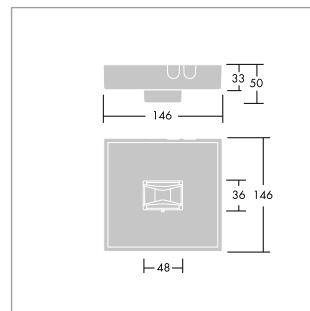
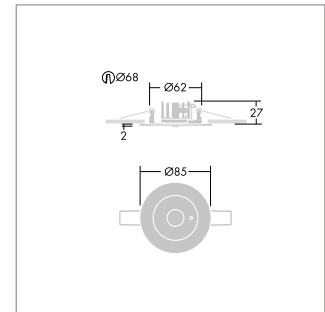
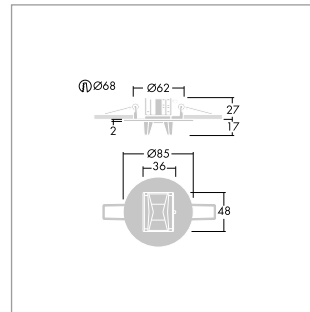
VOYAGER LED SERIES E3TX

| h | antipanic (0,5 lx) | | escape (1 lx) | | spot (5lx) |
|------|--------------------|-------|---------------|-------|------------|
| | a1 | a2 | a1 | a2 | a1 |
| 2.50 | 2.90 | 9.40 | 6.00 | 13.90 | 2.30 |
| 3.00 | 2.35 | 10.35 | 6.65 | 15.50 | 2.50 |
| 3.50 | 1.25 | 11.20 | 7.05 | 16.95 | 2.60 |
| 4.00 | 0.70 | 11.20 | 7.15 | 18.25 | 2.50 |
| 4.50 | - | 10.50 | 5.70 | 19.35 | 2.20 |
| 5.00 | - | 10.00 | 1.55 | 18.60 | - |

LAMPS

LED 2.7W

STANDARDS





www.thornlighting.co.uk/VOYE
www.thornlighting.ie/VOYE



Efficient, high power LED self-contained emergency luminaire for excellent performance and spacing



LAMPS

LED 3W

STANDARDS

- Low profile emergency recessed fitting easily achieving 8 meters spacing reducing the number of luminaires required per project
- Plug and play connection for rapid installation
- 3 Hour emergency non-maintained operation

MATERIALS/FINISH

Body: aluminium alloy, white
Clips: stainless steel

INSTALLATION/MOUNTING

Suitable for recessed ceiling mounting for interior use. Simple installation with quick fit connectors.

SPECIFICATION

Low profile LED based, self-contained luminaire, suitable for recessed mounting with optics optimised for Escape Routes and Open Areas lighting. 3 hours emergency duration from Nickel Cadmium batteries, non-maintained operation. As Thorn Voyager Escape.

ORDERING GUIDE*

| Description | Wt (kg) | SAP Code | Cat. No. |
|-------------------------|---------|----------|----------|
| Voyager Escape | | | |
| VOYAGER ESCAPE E3NM MRE | 0.31 | 96642782 | VYERNM |

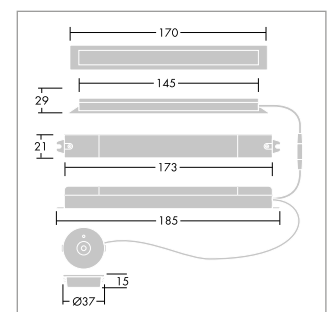
To make reading our ordering guides easier please use the SAP description key fold out, inside the back cover. For more information please visit our website www.thornlighting.co.uk and simply search for our products.

*This ordering guide uses the old versions of our abbreviations, please see the abbreviations on the back cover for these products.

| h | antipanic (0,5 lx) | | escape (1 lx) | |
|------|-----------------------|------|------------------|------|
| | a1 | a2 | a1 | a2 |
| 2.50 | 2.20 | 5.80 | 2.70 | 6.20 |
| 3.00 | 2.45 | 6.40 | 2.95 | 6.90 |
| 3.50 | 2.70 | 7.00 | 3.10 | 7.60 |
| 4.00 | 2.90 | 7.65 | 3.20 | 8.10 |
| 4.50 | 3.05 | 8.20 | 3.05 | 8.55 |
| 5.00 | 3.15 | 8.80 | 2.55 | 8.85 |

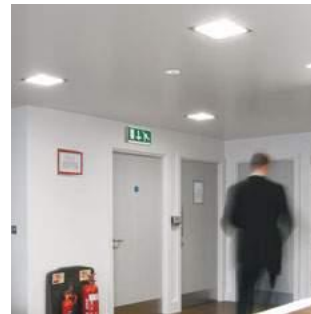
Key
h - height of the room
a1 - distance of the luminaire to the wall
a2 - distance from luminaire to luminaire

All values in metres
All values for ta - 30°C
Maintenance factor - 0.8





www.thornlighting.co.uk/VSIG
www.thornlighting.ie/VSIG



LAMPS

LED LED

1W

- A hinged steel gear tray makes installation and maintenance easy.
- Available with a choice of ISO or EU exit legend panels
- Printed legend panel clips behind diffuser for easy maintenance
- LED variants utilise "green" NiMh batteries

MATERIALS/FINISH

Body: polycarbonate with alternative finishes in either RAL9010 white or RAL9006 metallic silver Diffuser and legend panel: polycarbonate

INSTALLATION/MOUNTING

Wall mounted with 20mm conduit or rear back box entry.

SPECIFICATION

To specify state:
Sign for viewing up to 30m distance, maintained operation, available as manual (E3) or SelfTest/Addressable Test (E3TX/E3D) capability. 3 hours emergency duration with LED strip. With choice of European or International format Exit legends.
As Thorn Voyager Sigma.

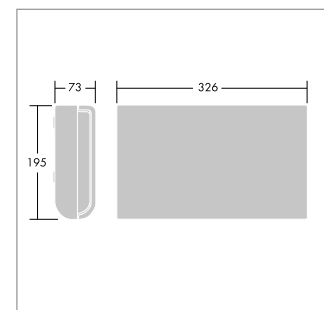
ORDERING GUIDE*

Supplied complete with lamp for complete luminaire order body + legend

| Description | Wt (kg) | SAP Code | Cat. No. |
|----------------------------|---------|----------|----------|
| Voyager Sigma | | | |
| VOYAGER SIGMA LED E3M SIL | 1.40 | 96233814 | VYSLEDMS |
| VOYAGER SIGMA LED E3M WHI | 1.40 | 96233813 | VYSLEDMW |
| VOYAGER SIGMA LED E3TX SIL | 1.40 | 96233816 | |
| VOYAGER SIGMA LED E3TX WHI | 1.40 | 96233815 | |
| Legends | | | |
| VOYAGER SIGMA SP EU DOWN | 0.10 | 96233876 | VYSEUD |
| VOYAGER SIGMA SP EU LEFT | 0.10 | 96233877 | VYSEUL |
| VOYAGER SIGMA SP EU RIGHT | 0.10 | 96233878 | VYSEUR |
| VOYAGER SIGMA SP EU UP | 0.10 | 96233875 | VYSEUU |
| VOYAGER SIGMA SP ISO DOWN | 0.10 | 96236786 | VYSISD |
| VOYAGER SIGMA SP ISO LEFT | 0.10 | 96236787 | VYSISL |
| VOYAGER SIGMA SP ISO RIGHT | 0.10 | 96236788 | VYSISR |
| VOYAGER SIGMA SP ISO UP | 0.10 | 96236785 | VYSISU |

To make reading our ordering guides easier please use the SAP description key fold out, inside the back cover. For more information please visit our website www.thornlighting.co.uk and simply search for our products.

*This ordering guide uses the old versions of our abbreviations, please see the abbreviations on the back cover for these products.



Voyager

Blade



www.thornlighting.co.uk/VOYB
www.thornlighting.ie/VOYB

Ultra slim aluminium bodied
LED exit sign for surface/suspended
application



- Choice of ceiling or wall mount installation plus a suspended version for design flexibility
- 3 hour duration maintained or non-maintained operation
- Easy to install and change legends

MATERIALS/FINISH

Body: Aluminium, silver finish
Blade: Perspex®

INSTALLATION/MOUNTING

Suitable for small area use and viewing distances up to 23 metres.
Ceiling/wall version: Mount fixing bracket to ceiling or wall.
Suspended version: Mount fixing plate to ceiling and suspend via two chains (2x1m) provided.

SPECIFICATION

To specify state:
Ultra slim silver aluminium bodied maintained/non-maintained LED exit sign with Perspex® sign blade, for wall or ceiling surface/suspended mounting.
As Thorn Voyager Blade



LAMPS

LED

2.2-5W

STANDARDS

CE IP30 T_a40



ORDERING GUIDE*

| Description | Wt (kg) | SAP Code | Cat. No. |
|--------------------------------------|---------|----------|----------|
| Voyager Blade Surface mounted | | | |
| VOYAGER BLADE EXIT E3NM MSC | 1.00 | 96642779 | VYBLNMS |
| VOYAGER BLADE EXIT E3M MSC | 1.00 | 96642778 | VYBLMS |
| Voyager Blade Suspended | | | |
| VOYAGER BLADE EXIT E3NM MSC-WF | 1.15 | 96642780 | VYBLNMC |
| VOYAGER BLADE EXIT E3M MSC-WF | 1.15 | 96642781 | VYBLMC |
| Voyager Blade Recessed | | | |
| VOYAGER BLADE EXIT E3NM MRC | 1.15 | 96642992 | VYBLNMR |
| VOYAGER BLADE EXIT E3M MRC | 1.15 | 96642993 | VYBLMR |
| Voyager Blade Accessories | | | |
| VOYAGER BLADE SP EU DOWN | 0.001 | 96643982 | VYBEUD |
| VOYAGER BLADE SP EU LEFT/RIGHT | 0.001 | 96643980 | VYBEULR |
| VOYAGER BLADE SP EU UP | 0.001 | 96643981 | VYBEUU |
| VOYAGER BLADE SP ISO DOWN | 0.001 | 96643979 | VYBISOD |
| VOYAGER BLADE SP ISO LEFT/RIGHT | 0.001 | 96643977 | VYBISOLR |
| VOYAGER BLADE SP ISO UP | 0.001 | 96643978 | VYBISOU |
| VOYAGER BLADE SP WHITE | 0.001 | 96643983 | VYBWH |

To make reading our ordering guides easier please use the SAP description key fold out, inside the back cover. For more information please visit our website www.thornlighting.co.uk and simply search for our products.

*This ordering guide uses the old versions of our abbreviations, please see the abbreviations on the back cover for these products.

Voyager

Compact LED



www.thornlighting.co.uk/VOYC
www.thornlighting.ie/VOYC



LED emergency bulkhead offering maintained and non-maintained operation in one luminaire sealed to IP65 for indoor and outdoor use



- Energy saving LED replacement for 8W emergency bulkhead
- IP65 ingress protection, suitable for indoor and outdoor use
- Maintained or non-maintained operation within the same luminaire, reducing installation complexity
- Suitable for escape routes and open areas

MATERIALS/FINISH

Body/cowl: white polycarbonate
Diffuser: clear polycarbonate

INSTALLATION/MOUNTING

4 screw fixing complete with drilling guide points. 4 x Ø20mm conduit knockout entry points (sides, rear and top). BESA entry from rear. No mounting kit necessary. Loop in / Loop out terminal block with rising clamps which improves clamping of wires, preventing over tightening and damage.

SPECIFICATION

To specify state:
Compact polycarbonate IP65 emergency LED bulkhead for wall or ceiling mounting.
As Thorn Voyager Compact LED.



LAMPS

 LED 2.7W

STANDARDS

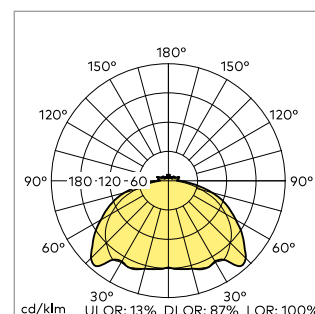
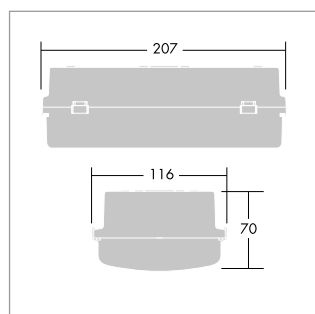
  IP65 IK03 

ORDERING GUIDE

Legend kits (ISO/BSEN) to be ordered separately

| Description | Wt (kg) | SAP Code | Cat. No. |
|------------------------------------|---------|----------|----------|
| Voyager Compact LED | | | |
| VOYAGER COMPACT LED | 0.50 | 96242092 | VYBE3 |
| Voyager Compact LED Legends | | | |
| VOYAGER COMPACT BSEN LEGEND KIT | 0.05 | 96242093 | VYLKE |
| VOYAGER COMPACT ISO LEGEND KIT | 0.05 | 96242094 | VYLKI |

To make reading our ordering guides easier please use the SAP description key fold out, inside the back cover. For more information please visit our website www.thornlighting.co.uk and simply search for our products.



The new service division of the Zumtobel Group

The Zumtobel Group makes some of the most advanced lighting in the world and ZGS is its new service offering.

From controls and connectivity to data collection and analysis; from software development to light as a service; from emergency lighting to lifecycle management of lighting infrastructures: ZGS turns lighting into customised, scalable and ready-to-use solutions.

Together with ZGS, Thorn can offer comprehensive and specialist solutions in the lighting industry.



ZGS zumtobel
group
services

Lighting services – managed by us, tailored to you

Zumtobel Group Services combines expertise and creativity to deliver safe, profitable and productive lighting solutions for now and the future.



Customers across the board want their lighting solution simplified, particularly at a time when new digital technologies are changing the way we use light. Zumtobel Group Services (ZGS) provides companies worldwide with a comprehensive service offering – a single point of contact responsible for every stage of the lighting process.



Turnkey Services

Designing, maintaining and installing a new lighting system can be a complicated business. We manage the entire process for you: from planning and project management to commissioning and ongoing maintenance. Our all-in-one service package - COMPLETE - gets you up and running fast.

Digital Services

We help you gain new insights into the opportunities opened up by connected lighting, including analysis of space and building utilisation.

Emergency Lighting Systems

We take care of your safety, managing everything from emergency lighting planning to the annual maintenance of your emergency lighting system.



Finance Services

Our service contracts enable you to acquire light as a service at a fixed monthly rate - without any investment hurdles.

Connectivity Systems

Use our intelligent connected lighting management systems to take control of your lighting - from individual buildings to complete towns and cities.

Technical & Maintenance Services

We look after all technical services and ensure the performance of your lighting solution is optimised throughout its lifecycle.



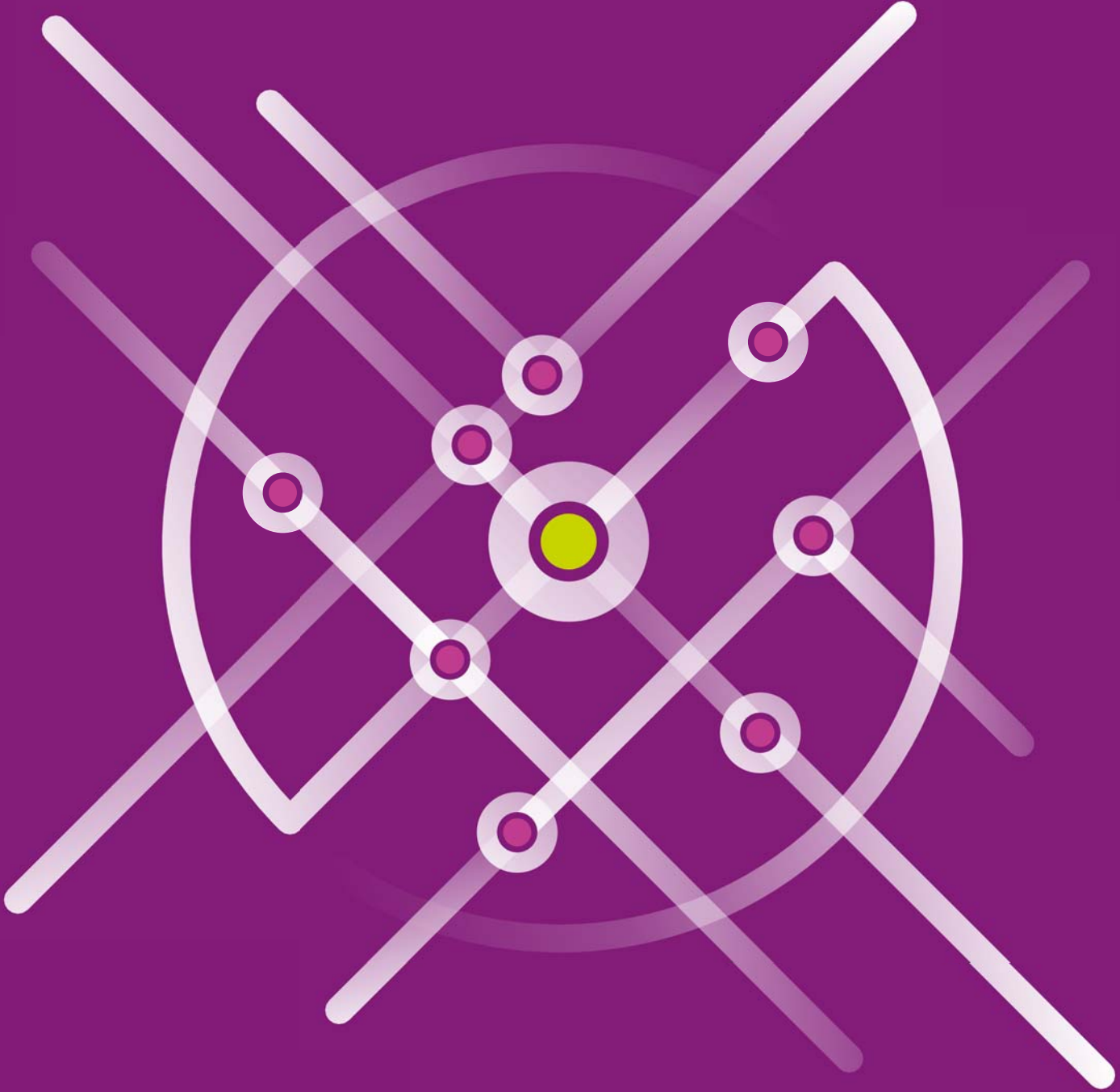
Emergency Lighting Systems

Leading you to safety

Functional emergency lighting is your responsibility by law – but it is also your responsibility to the building, the people in it and the environment. That is why quality is key.

Thorn and Zumtobel Group Services offer a complete range of reliable, long-life emergency lighting solutions for every type of building. This includes luminaires and signage, self-contained and central battery systems and maintenance contracts. We attach great importance to the technical quality of our emergency lighting, focusing on criteria such as maximum energy efficiency and easy maintenance.

Learn more at
emergency.zgservices.com



Connectivity Systems

Our intelligent systems put you in control

The Connectivity services from ZGS cover every aspect of intelligent lighting controls and enable digital services for smart building solutions.

Our hard and software solutions are scaleable both in size and functionality. Simple, intuitive interfaces allow the management of lighting in retail and office spaces at the touch of a button. At the larger end of the scale, Thorn and Zumtobel Group Services help entire cities use their lighting infrastructures in the most sophisticated and efficient way to manage traffic and minimise energy consumption.

LITECOM

LITECOM is the only lighting control system you'll ever need: super easy, super efficient and super versatile.

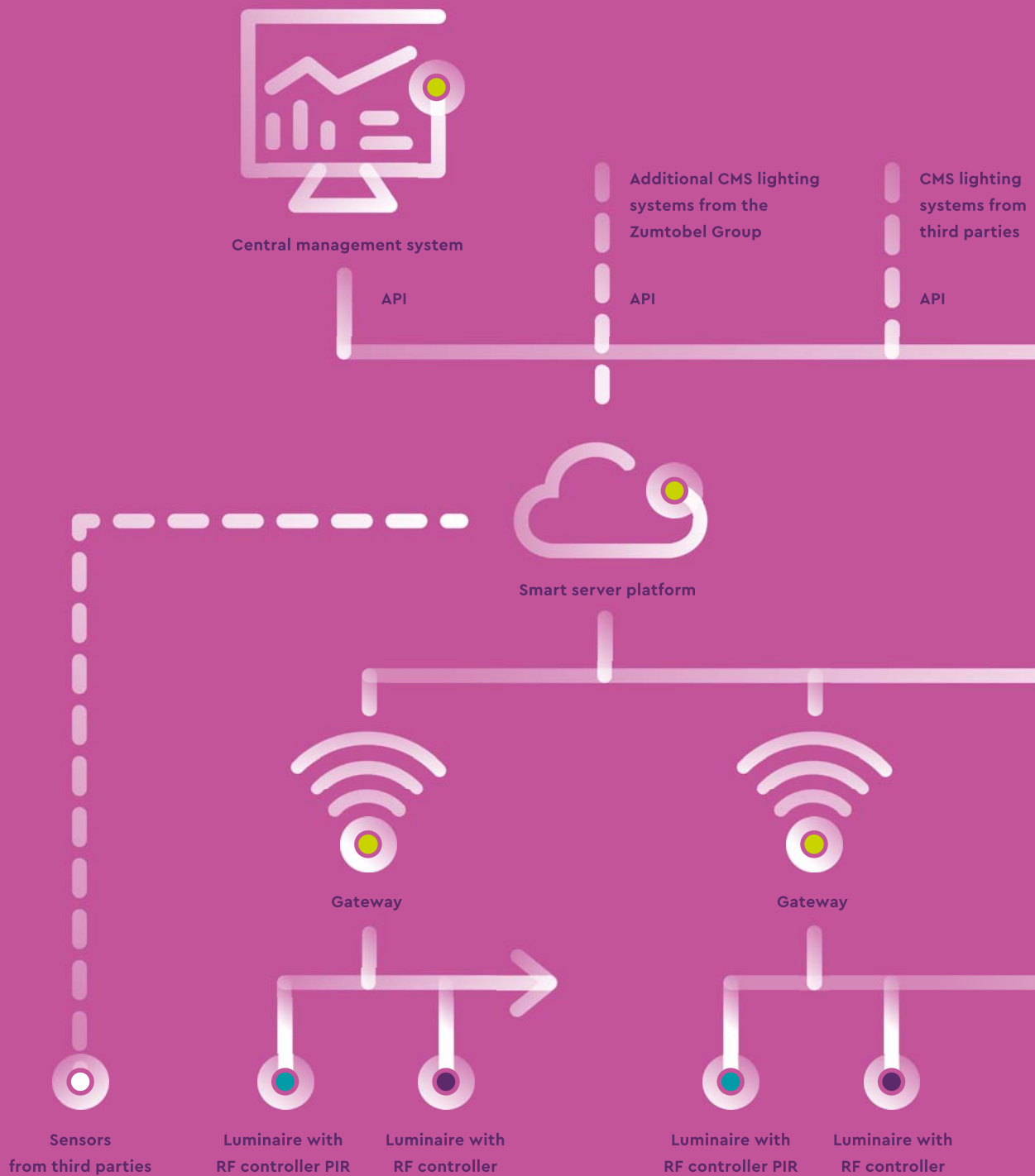
InCity

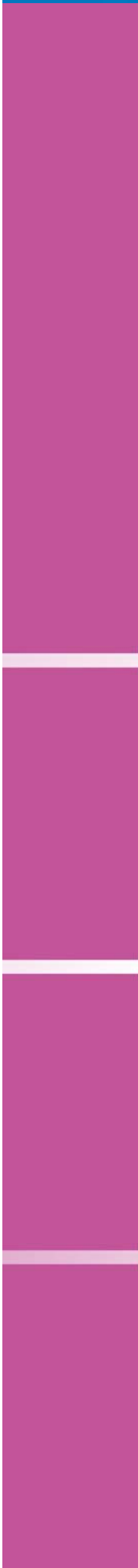
INCITY lets your city interact with the people to deliver more safety, more sustainability and more services.

Learn more at
connectivity.zgsservices.com

InCity system

Flexible in all directions





InCity hardware

A reliable basis



RF controller I/E

Luminaire module for wireless communication with the InCity system, in line with pre-set lighting profiles and sensor information.

For mounting on masts: RF controller E.
For installation in the luminaire: RF controller I.

- Lighting control via standardised DALI interface
- Integrated astronomical clock
- Wireless remote connection to the gateway
- Regular automatic synchronisation with the RF gateway for current status and error messages
- Remote updates option - without the need for a service technician on site



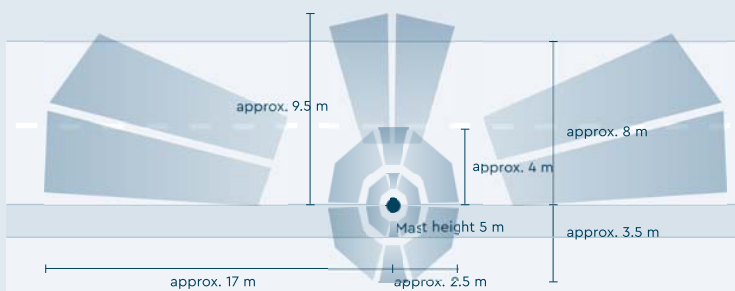
RF controller PIR

Luminaire module for wireless communication with the InCity system. An integrated sensor system means that motion detection and system communication can take place within the same component.

For mounting on masts.

In addition to the functions of the RF controller:

- Integrated sensor system to record the movement of vehicles and people
- Four independent sensors that together monitor a uniquely large detection area
- Option for train-of-light applications (companion light)



With four independent sensors, the RF controller PIR detects movements from all directions: to the right and left along the street and directly below the luminaire, as well as to the front and on the opposite side of the street.



RF gateway

Network module for communication with up to 200 RF controllers from the InCity system and for collecting data that is passed on to the CMS system. The gateway records regular system data, sensor data and status information from the RF controller, sends this to the InCity lighting management system and in return transmits changes from the management system to the RF controller.

For mounting on masts.

- Wireless remote connection to the RF controllers
- Connection with data server and management system using an integrated SIM card or via LAN or WLAN
- Regular automatic synchronisation with the lighting management system
- Remote updates option - without the need for a service technician on site
- Regular logging of the system operation with customised scheduling
- Large local memory capacity to prevent data loss during connection errors

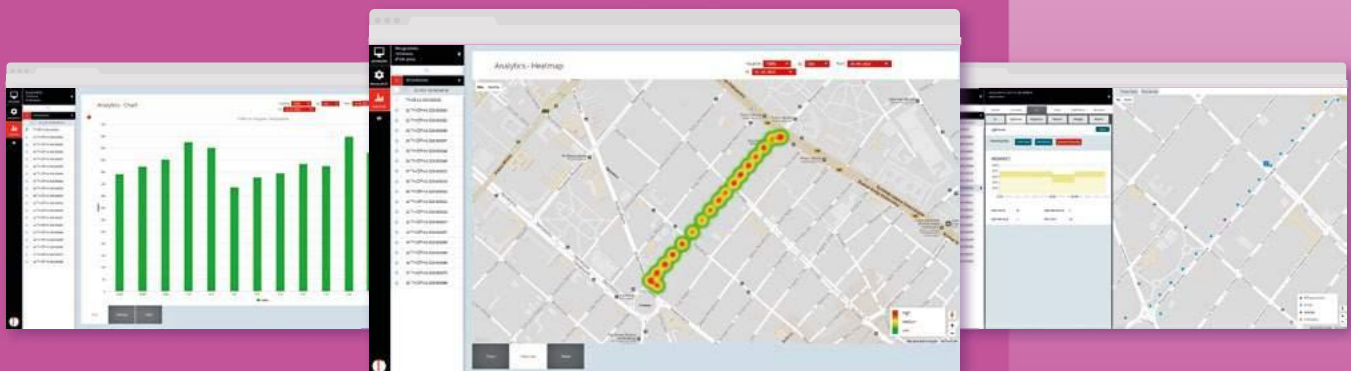
InCity software

Solution-oriented data management

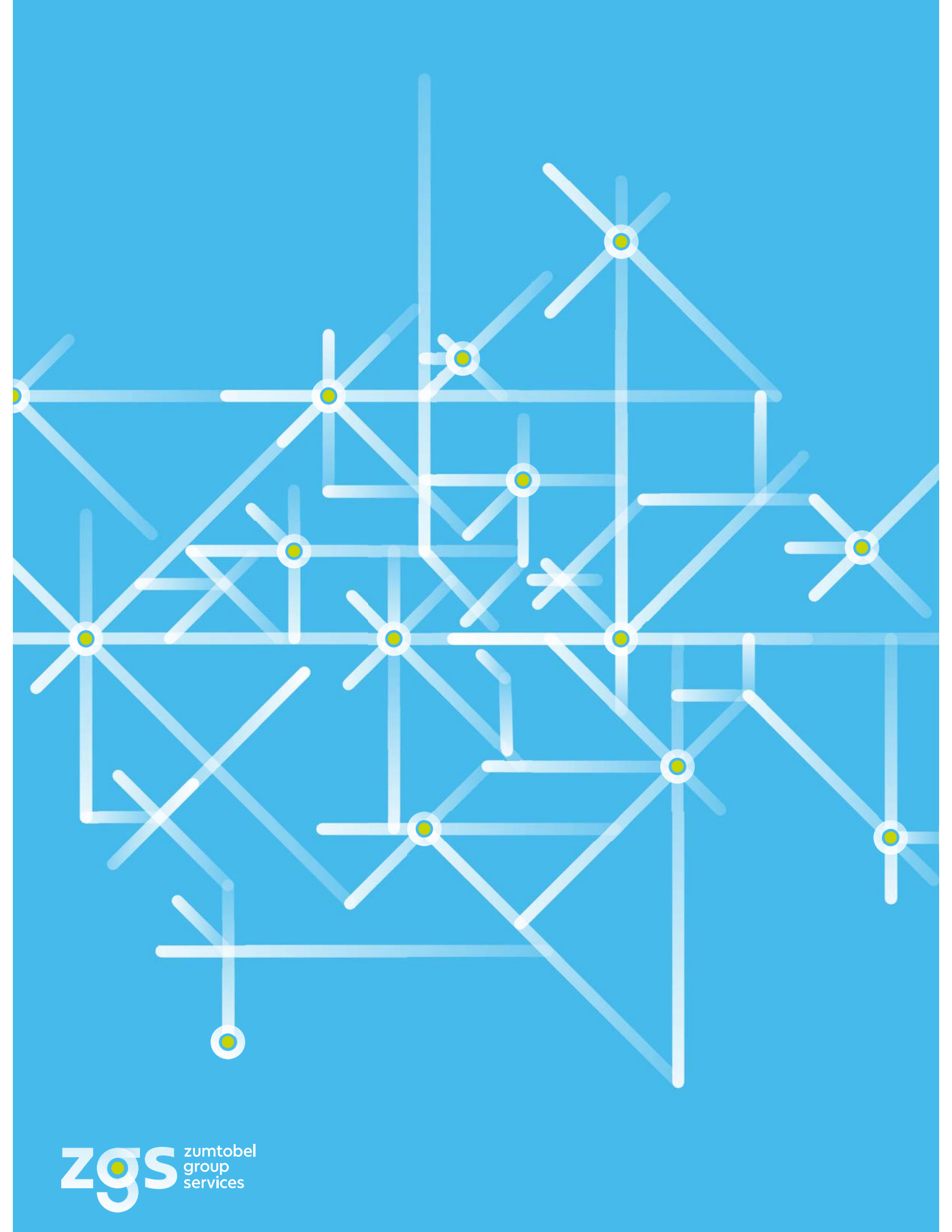
Lighting management system

Our InCity Software enables professional support, monitoring and maintenance of outdoor lighting systems. User-friendly interfaces, time-saving automation and high standards of security combine to deliver a robust and efficient lighting management platform. With no limit on the number of luminaires and users, open interfaces and ongoing improvements advance - InCity software meets all requirements - today and into the future.

- A personal customer website with a hierarchical structure and password authorisation
- Map-based presentation
- Automatic inclusion of all light points and communication modules
- Calculation of the energy savings
- Analysis of the motion detector data
- Data processing in graphs and heatmaps
- Reporting and notification of error messages
- Regular logging of the system operation
- High level of security through fully encrypted data communication using a server located in the EU, together with redundant server architecture



Clear user interfaces simplify the monitoring and operation of the system. Map-based representation and graphical data processing using charts and heatmaps ensure that even complex information can be quickly and easily understood.



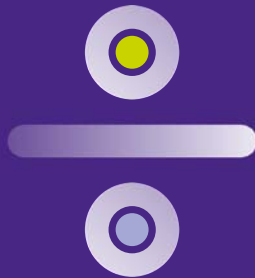
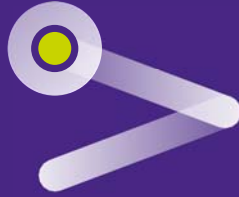
Digital Services

New insights, better customer experiences

Digital technology is changing the way we live – and the way we use light. Our team helps you gain better customer insights and create new value propositions and business models through the Internet of Things, whatever the platform.

With our inclusive approach, we're a sought-after partner for leading technology companies. The result? Ground-breaking prototype projects in connected commerce, connected buildings and connected cities.

Learn more at
data-based.zgservices.com



Finance Services

Light that pays for itself

Our NOW finance services allow you to access the best lighting systems from Thorn and Zumtobel Group Services with minimal initial investment costs. Receive light as a service at a fixed monthly rate.

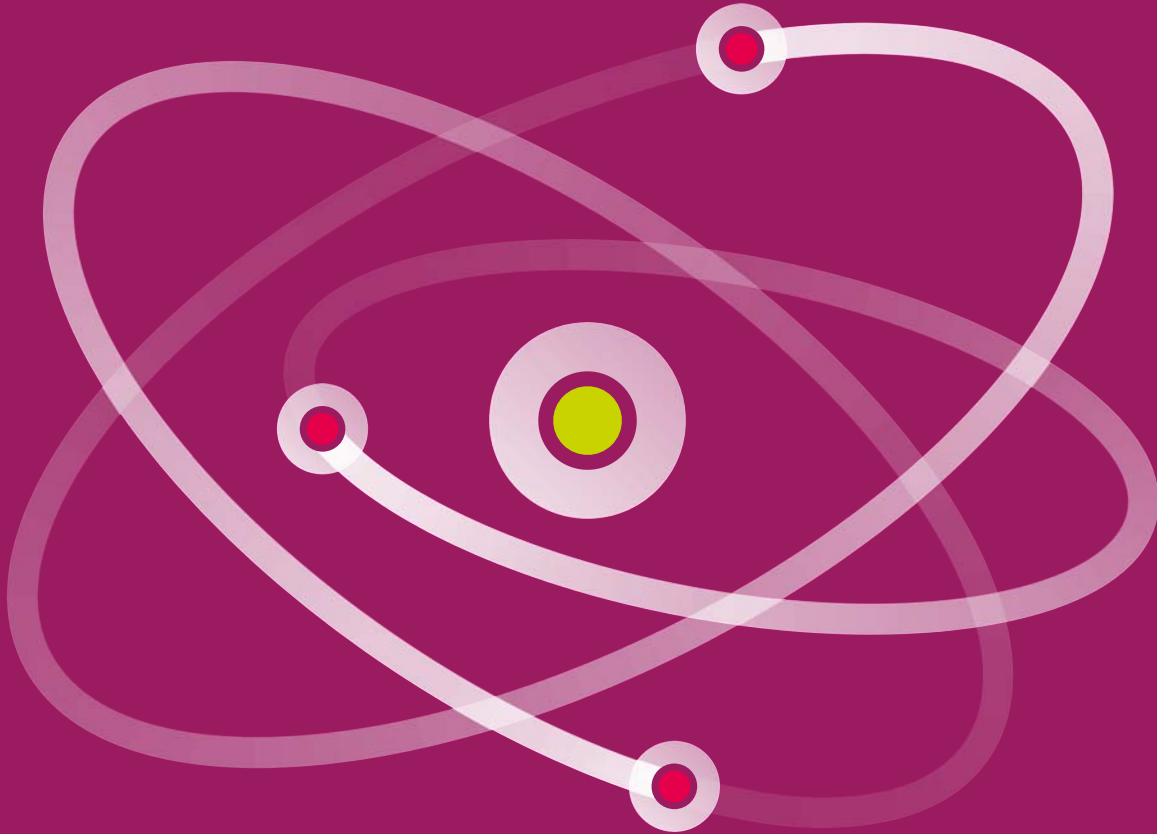
We organise the entire renewal of your lighting system from the very beginning: planning, installation, commissioning and regular maintenance. Your lighting is taken care of by us.

Enhance the wellbeing of your people, boost your energy efficiency and reduce capital exposure – all with one experienced partner.



NOW offers you the best possible lighting quality and energy efficiency while – and helps you spend

Learn more at
now.zgservices.com



Turnkey Services

Your all-in-one service packages, ready to go

Whether you're implementing a single-site lighting strategy or rolling out a retail concept across multiple locations or countries, Thorn and Zumtobel Group Services offer ready-to-use lighting solutions.

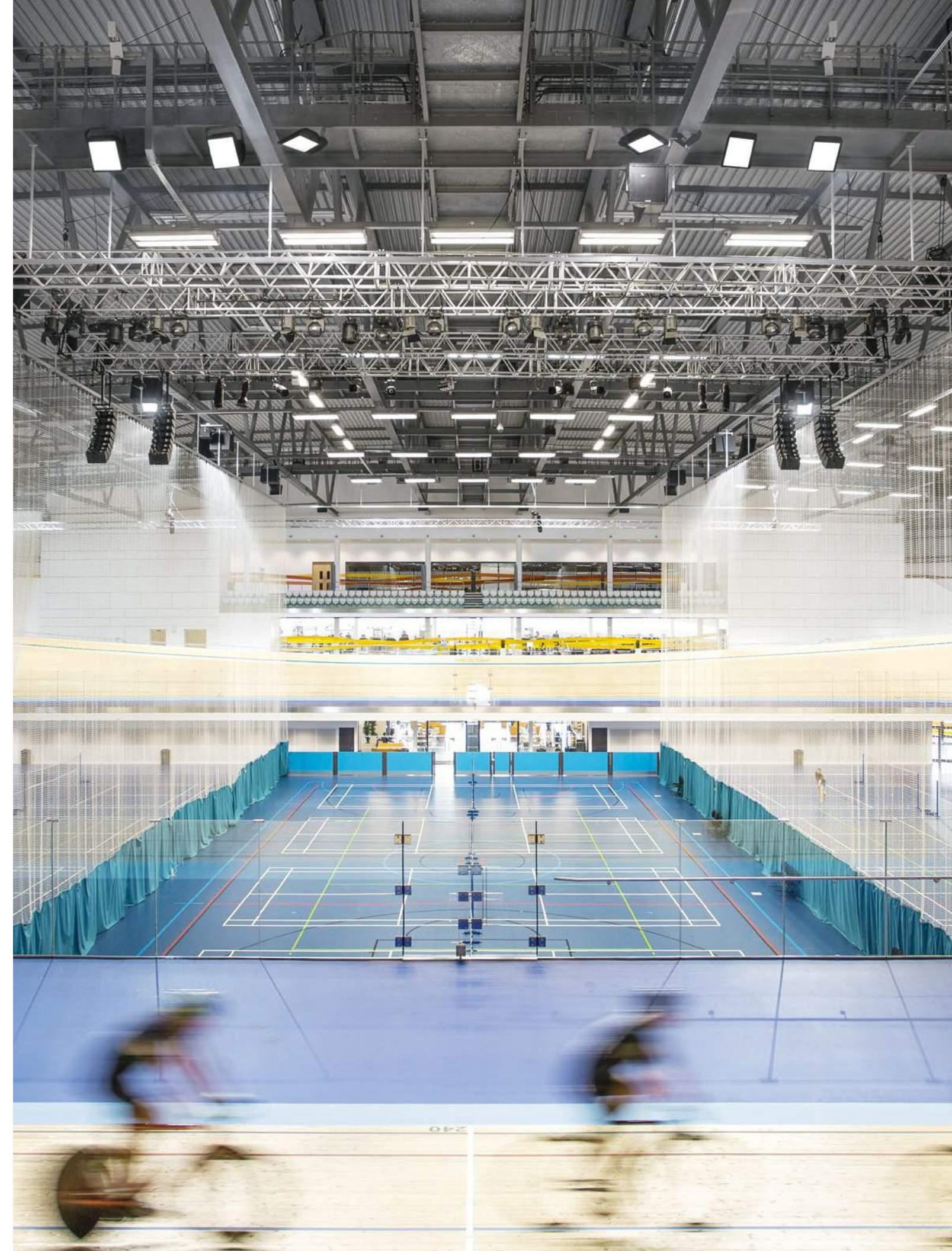
Our COMPLETE service looks after the complete process for you – from commissioning and planning to project management, installation and maintenance.

COMPLETE is the all-in-one package designed just for you – so you can enjoy the ROI benefits of more efficient lighting even sooner.

Complete.

COMPLETE delivers your lighting projects on time, on budget and on site – all with a single point of contact.

Learn more at
turnkey.zgservices.com



General Information

HELP AND ADVICE

260
Safety & Quality

264
Index

266
Addresses


Safety & Quality

Thorn Lighting is committed to providing its customers with products and services that are of the highest quality, ensuring safety, reliability and performance.

OUR EXPERTISE IN MEETING THESE GOALS IS RECOGNISED INTERNATIONALLY. THORN IS AN ACTIVE PARTICIPANT IN DEVELOPING THE EUROPEAN AND INTERNATIONAL STANDARDS WHICH ARE USED THROUGH THE LIGHTING INDUSTRY AND THAT THIRD PARTY ENDORSEMENTS, SUCH AS BSI APPROVALS/ REGISTRATIONS ARE BASED UPON.

QUALITY ASSURANCE (EN/ISO 9000)

All activities associated with providing a quality product - design, development, testing, production, despatch, customer service - are covered by EN/ISO 9000. The Group's site at Spennymoor, including UK Distribution, is registered by IQNET to the highest standard, ISO 9001. Additional operations also operate to the same exacting standards and have achieved EN ISO9001 quality system registration.

 Quality in test and measurement has been further assessed by OVE, under the scheme of SMT, MPL and EN ISO/IEC 17025 - Operation of testing laboratories. In-house test facilities cover all aspects of lighting product performance and safety and are considered to be amongst the finest in the world.


ENVIRONMENT & SUSTAINABILITY

Thorn takes seriously its drive to reduce the environmental impact of its business and products. Our ISO 14001 certification for the factories demonstrates this commitment, ensuring our environmental management meets the highest standards. Acknowledging our responsibility for the environment by having an Environmental Management System means we can identify and target aspects of our business that impact on the environment and relevant legislation. As part of our sustainability programme we then produce objectives for improvement and our management programme supports this with regular reviews for continual improvement.



EUROPEAN HARMONISATION

For luminaires and lighting components, European harmonisation of national approval marks (above) has been achieved through the ENEC mark.

 The ENEC mark may be awarded by any one of the recognised European approval authorities, such as BSI, VDE or SEMKO, in the same way as a national approval mark. ENEC is important however, because it indicates that the product is suitable for use throughout Europe and that all of the most onerous special national conditions of test standards have been complied with.

In the case of lighting components such as ballasts, transformers, emergency lighting units etc. the ENEC mark indicates that both safety and performance standards have been complied with.



CE The CE mark signifies that a product conforms with the requirements of relevant EEC directives. The prime purpose of the mark is to assist customs and market inspectors in facilitating the free trading and movement of products within the EEC.

At this time the directives appropriate to general lighting products are the Low Voltage Directive (LVD), the Electromagnetic Compatibility (EMC) Directive and the Energy Related Products Directive (ErP), WEEE (Waste of Electrical and Electronic Equipment Directive), Radio Equipment Directive (RED) and RoHS (Restriction of Hazardous Substances).

CE marking is compulsory to indicate LVD, EMC, RoHS, RED and ErP conformity.

RADIO EQUIPMENT DIRECTIVE 2014/53/EU

RED covers equipment which intentionally emits or receives radio waves for the purpose of radio communication or radiodetermination and makes systematic use of the radio spectrum. In order to ensure an efficient use of radio spectrum so as to avoid harmful interference, all such equipment should fall within the scope of this Directive.

Thorn Lighting's comprehensive compliance with all relevant standards, and implementation of systems to meet them, means its products automatically comply with these directives.

WEEE COMPLIANCE AND APPROACH

THORN FULLY COMPLIES WITH THE WEEE DIRECTIVE

The current Waste of Electrical and Electronic Equipment Directive, 2012/19/EU, came into force on 13th August 2012.

Thorn belong to an approved compliance scheme run by Lumicom (Only in UK), a not-for-profit organisation set up by the Lighting Industry Association to administer the WEEE Directive on behalf of the professional lighting manufacturers in the UK. As a member of an approved compliance scheme Thorn has been given a registration number, WEE/KG0108WX. Since the 1st July 2007 Thorn have been paying its WEEE provider, Lumicom (Only in UK), to manage the collection, recycling and disposal of luminaires.

What does the WEEE directive mean for customers of Thorn Lighting?

Thorn Lighting is paying for its responsibility under the directive by paying on a per luminaire basis. For every luminaire that Thorn puts onto the market, as a Producer under the terms of the WEEE Directive, it pays a fee to Lumicom (Only in UK). Therefore you can be sure that every Thorn product you specify or buy is covered in the future under the WEEE Directive. Lumicom will collect, recycle and dispose of Thorn luminaires. There will be no charges from Thorn to cover the cost of collection, recycling and disposal of waste from Thorn luminaires at the end of their life. The future cost is covered by the small upfront charge made at the initial sale of the luminaires.

Historic Waste

Luminaires stripped out of a building that were manufactured prior to 13th August 2005 are regarded as Historic Waste. As a responsible manufacturer Thorn is also taking responsibility for any products, regardless of the manufacturer, put onto the market before 13th August 2005 as long as the luminaires purchased to replace the old luminaires are manufactured by Thorn.

Products manufactured after 13th August 2005.

These products are identified by the crossed out wheelee-bin symbol. These products are the responsibility of the original manufacturer regardless of whose products they are being replaced by.

Lamps and Batteries

Thorn is not responsible for the collection, recycling and disposal of lamps. They are the responsibility of the lamp manufacturer marked on the lamp. Most lamps are returned via the Recolight Scheme (Only in UK) at www.recolight.com. Batteries are not deemed as WEEE but are covered by the Battery Directive, under the Directive Thorn operate a take back service.

All products returned to Lumicon must have their lamps and any batteries removed beforehand.

ROHS

Directive 2011/65/EU on the restriction of the use of certain hazardous substances in electrical and electronic equipment is an EU directive, and products purchased within the European Union must conform to these restrictions.

Certain exemptions exist including mercury in lamps, lead in the glass of fluorescent tubes and nickel cadmium in batteries for emergency lighting products. However, these exempted items are still required to be correctly disposed of.

Therefore when purchasing exempted items it is important to ascertain how these items will be managed at their end of life, and when removing exempted items it must be ensured that they are handled separately

ASSURANCE OF SAFETY

Under the Consumer Protection Act 1987, it is unlawful to make, or hold in stock, or to offer for sale any electrical appliance that is unsafe. In order to give assurance that lighting products are safe, manufacturers have two options:

1. To mark with the symbol of a third party approval authority.

This is a mark of guarantee endorsed by an independent testing authority. The mark guarantees that compliance has been checked by an independent test house and that third party monitoring of the producing factory's quality system has been undertaken.

2. Self certification

The manufacturer claims that the product is safe and fit for purpose. The value of such a claim is directly related to the standing of the firm making it. In the case of Thorn Lighting, all products are designed, developed, tested and manufactured under the scope of EN/ISO 9000 quality systems that are registered and audited by independent third parties.

Consequently Thorn products, approval marked or not, are designed, tested and manufactured to the same exacting standards - not all companies apply this principle.

Safety & Quality

Standards

Standards

SOME OF THE RELEVANT BRITISH STANDARDS, TOGETHER WITH THEIR EUROPEAN AND INTERNATIONAL EQUIVALENTS, RELATING TO LIGHTING ARE LISTED IN THE TABLE.

| Subject | British Standard | European Standard | International Standard |
|--|-----------------------------|-----------------------|--------------------------|
| Luminaires - Safety | BS EN 60598 | EN 60598 | IEC 60598 |
| Luminaire Track Systems - Safety | BS EN 60570 | EN 60570 | IEC 60570 |
| Luminaires - Performance (General) | BS EN 62722-1 | EN 62722-1 | IEC 62722-1 |
| Luminaires - Performance (LED) | BS EN 62722-2-1 | EN 62722-2-1 | IEC 62722-2-1 |
| Luminaires - IK Code (Impact Resistance) | BS EN 62262 | EN 62262 | IEC 62262 + IEC/TR 62696 |
| EMC Emissions - Lighting | BS EN 50015 | EN 55015 | CISPR 15 |
| EMC Immunity - Lighting | BS EN 61547 | EN 61547 | IEC 61547 |
| EMC Harmonic - Currents | BS EN 61000-3-2 | EN 61000-3-2 | IEC 61000-3-2 |
| EMC Voltage Fluctuation/Flicker | BS EN 61000-3-3 | EN 61000-3-3 | IEC 61000-3-3 |
| EMF - Lighting Equipment | BS EN 62493 | EN 62493 | IEC 62493 |
| Control Gear - Safety | BS EN 61347 | EN 61347 | IEC 61347 |
| LED Modules - Safety | BS EN 62031 | EN 62031 | IEC 62031 |
| LED Modules - Performance | BS EN 62717 | EN 62717 | IEC 62717 |
| Fluorescent Lamps - Safety | BS EN 60081/ BS EN 61199 | EN 60081/ EN 61199 | IEC 60081/ IEC 61199 |
| HID Lamps - Safety | BS EN 62035 | EN 62035 | IEC 62035 |
| Quality Management Systems | BS EN ISO 9001 | EN ISO 9001 | ISO 9001 |
| Environmental Management Systems | BS EN ISO 14001 | EN ISO 14001 | ISO 14001 |
| Code of Practice - Emergency Lighting | BS 5266/ BS EN 1838 | EN 1838 | |
| Photometric Measurements/Data | BS EN 13032 | EN13032 | CIE 121 |
| Lighting Columns | BS 5649 | EN 40 | |

SAFETY CLASSIFICATIONS

The following provides an explanation of some of the most common classifications applied to luminaires:



Class I

Luminaires in this class are electrically insulated and provided with a connection to earth. Exposed metal parts that could become live in the event of basic insulation failure are protected by earthing.



Class II

Class II luminaires are designed and constructed so that protection against electric shock does not rely on basic insulation only. This can be achieved by means of reinforced or double insulation. No provision for earthing is provided.



Class III

Protection against electric shock relies on supply at Safety Extra - Low Voltage (SELV) and in which voltages higher than those of SELV are not generated (max.50V ac rms).



Luminaires not suitable for covering with thermally insulating material

Note. Previously luminaires suitable for covering with thermally insulating material displayed the F mark. This has been replaced by this warning symbol.



Luminaires not suitable for direct mounting on normally flammable surfaces (i.e. suitable only for mounting on non-combustible surfaces)

Note. Previously luminaires suitable for mounting on normally combustible surfaces displayed the F mark. This has been replaced by this warning symbol.



Ta classification

Denotes the maximum and minimum ambient temperatures in which the luminaire is suitable for use. No ta mark indicates suitable for use in max. 25°C ambients.



850°C hot wire

Abbreviation for compliance with glow wire test for plastic parts tested at the stated temperature.

EMERGENCY LIGHTING

Emergency lighting is provided when the supply to the mains lighting fails. It helps people avoid panic, restores their confidence and guides them quickly and safely out of the building.

Thorn Lighting offers a wide range of emergency lighting luminaires. These may be integrated standard luminaires or separate dedicated emergency units.

Thorn luminaires are supplied complete with electronic gear for d.c.operation, light source and batteries (unless otherwise stated).

A test record card is included so that a maintenance programme can be followed in accordance with the Code of Practice BS 5266.

All Thorn emergency products carry a tamper-evident holographic security label, on both the product and the outer carton. This gives the customer a guarantee of an authentic Thorn emergency lighting product.



INGRESS PROTECTION

The ingress protection (IP) code denotes the protection against dust, solid objects and moisture provided by the luminaire enclosure. If no code is marked the luminaire is deemed to be IP20.

Ingress protection (IP) code

- i) First digit of code denotes protection against dust and solid objects
 - IP2X No entry of standard test finger to live parts
 - IP3X No entry of 2.5mm ø probe to the enclosure/live parts
 - IP4X No entry of 1mm ø probe to the enclosure/live parts
 - IP5X Dust proof. (no dust deposit around live parts)
 - IP6X Dust tight (no dust entry)
- ii) Second digit of code denotes protection against moisture
 - IPX0 No special protection
 - IPX1 Protection against drops of condensed water
 - IPX2 Drip-proof (vertical falling drops of liquid)
 - IPX3 Rain-proof (rain up to angles of 60°)
 - IPX4 Splash proof (spray from any angle)
 - IPX5 Water jet
 - IPX6 Strong Water jet
 - IPX7 Temporary immersion up to 1m
 - IPX8 Long-term immersion to declared depth

IMPACT RESISTANCE

The use of Joules (Newton metres - Nm) has been common for many years.

More recently an IK rating normally used for electrical enclosures and cabinets (EN 62262:2002) has emerged as manufacturers apply it to their luminaires, as they also enclose electrical circuits. This chart compares both ratings:

| IK rating | IK01 | IK02 | IK03 | IK04 | IK05 | IK06 | IK07 | IK08 | IK09 | IK10 |
|------------------------|-------|-------|-------|------|------|------|------|------|------|------|
| Impact Energy (Joules) | 0.15J | 0.23J | 0.35J | 0.5J | 0.7J | 1J | 2J | 5J | 10J | 20J |

LIGHTING FOR PEOPLE USING DISPLAY SCREEN EQUIPMENT

Readers are referred to The Society of Light and Lighting's (SLL) Lighting Guide 7 (LG7) and to EN12464-1:2011 which updates some elements of the advice they contain.

LG7

SLL LG7 offers advice on all aspects of lighting design concerned with office spaces and ancillary areas, and for areas using display screen equipment. The document has two main criteria that have to be addressed. The first is the decision that the designer has to take over the required luminance limit of the optic to be used (all luminance limits are based on an average value taken radially around the luminaire at an angle of 65°). The limits for luminance relate to the type of screen and its anti-reflective treatment, together with the software type in use. (See below).

Luminance limits for screen types:

| | | |
|-----------------------------|-----------------------|-----------------------|
| Screen High State Luminance | >200cd/m ² | <200cd/m ² |
| Case A | 3000cd/m ² | 1500cd/m ² |
| Case B | 1500cd/m ² | 1000cd/m ² |

Case A means Positive polarity software and normal requirements concerning colour and detail, such as used in office, education etc.

Case B means negative polarity and/or higher requirements concerning colour and detail, such as used for CAD colour inspection, etc.

Note: Screen high state luminance (see ISO 9241-302) describes the maximum luminance of the white part of the screen and this value is available from the manufacturer of the screen.

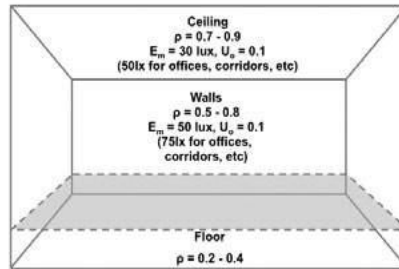
The second criteria concern the illuminance to the major surfaces within the room. In all enclosed places the maintained illuminance on the major surfaces shall be:

- Em > 50 lx with Uo >0.1 on the walls and
- Em > 30 lx with Uo > 0.1 on the ceiling

It is recognised that in some applications such as racked storage, heavy industrial premises, travel terminals, generally due to the size, complexity and operational constraints the desired light levels on these surfaces may not be achievable. In such cases reduced levels are acceptable. In some applications such as offices, education, health care and general areas of entrance, corridors, stairs the walls and ceiling need to be brighter to aid good communications. In these places it is recommended that the maintained illuminance on the major surfaces should be:

- Em > 75 lx with Uo > 0.1 on the walls and
- Em > 50 lx with Uo > 0.1 on the ceiling.

Copies of LG7 can be purchased on-line at www.cibse.org/knowledge



COLOUR RENDERING

The European Lighting Application Standard EN 12464-1:2011 and new SLL Lighting Code give design advice concerning minimum colour rendering index figures (Ra). Besides specific Ra's, recommended in the schedule for various task types, all continuously occupied spaces, that are used for more than two hours,

should employ light sources with an Ra of not less than 80. An exception is made for high bay applications where high pressure sodium lamps are accepted.

LOCAL ENERGY LEGISLATION

The current version of Approved Document L of the Building Regulations for England (came into force in 2013) and Wales (2014), which includes limits on the energy efficiency of lighting in domestic and non-domestic buildings. The amended documents have been published and came into force on 6th April 2014. Advice on compliance can be obtained by Thorn offices.

CLIMATE CHANGE LEGISLATION

Climate Change Levy (CCL) and Enhanced Capital Allowances (ECA). Having chosen the fiscal route to encourage UK commerce and industry to use less energy the UK Government introduced the CCL on all non-domestic energy use in April 2001. To enable businesses to claim 100% first year capital allowances on investments in energy saving equipment the ECA scheme was introduced from 7 August 2001. Businesses are now able to write off the whole cost of their investment against their taxable profit of the period during which they make the investment. Qualifying products have to meet minimum performance targets issued in September 2016. Thorn can help with performance figures for the majority of its luminaires, LED luminaires and controls, which are detailed on the company website.

LUMINAIRES FOR HAZARDOUS AREAS

The ATEX Directive is a mandatory requirement for all hazardous equipment sold in the EU. ATEX Category 1 applies to areas where the risk of explosion is constantly present. ATEX Category 2 applies to areas where there is a risk of explosion during normal operation of a building or plant. ATEX Category 3 applies to areas where there will only be occasional risk of explosion and only during abnormal operation conditions. Thorn offers product suitable for Category 2 or 3 areas.

Index

| | |
|---|-----|
| A | |
| Altis | 138 |
| Altis Area | 126 |
| Altis Sport | 140 |
| Alumet Control Direct LED | 176 |
| Alumet Stage II LED | 178 |
| AquaForce II LED | 86 |
| Areaflood Pro | 128 |
| Area Floodlighting | 125 |
| Arena Symphony LED | 28 |
| Avenue D ² LED | 162 |
| Avenue F2 LED | 164 |
| Avenue Wall 300 II | 148 |
| B | |
| Trunking and Battens | 39 |
| Beta | 52 |
| C | |
| Cesar | 108 |
| Cesar Rectangular | 109 |
| Cetus LED | 22 |
| Chalice | 16 |
| Chalice Pro | 18 |
| Chalice Pro HO | 20 |
| Champion | 142 |
| Cimi | 69 |
| CiviTEQ | 194 |
| Club | 65 |
| College | 30 |
| Contrast 2 LED | 110 |
| Corrosionforce II LED | 85 |
| D | |
| D-CO LED Bollard | 184 |
| Danube | 62 |
| Downlights | 15 |
| Direct/Indirect and Surface Luminaires | 25 |
| Duoproof | 88 |
| Dyana LED | 202 |
| E | |
| E/Fact | 101 |
| Emergency Lighting | 213 |
| Emergency Lighting Introduction | 214 |
| Emergency Lighting Luminaires | 226 |
| Equaline LED | 31 |
| Equaline Mini | 36 |
| Equaline Wall | 83 |
| Escort | 149 |
| EyeKon LED | 150 |
| F | |
| FlexXity | 172 |
| FlexPak | 78 |
| ForceLED | 82 |
| ForceLED Pro | 84 |
| G | |
| Gamma LED | 174 |
| Glacier II LED | 34 |
| GTLED | 208 |
| GTLED RS | 210 |

| | |
|--|-----|
| H | |
| HiPak | 80 |
| HiPak Pro LED | 92 |
| I | |
| Indoor Lighting | 15 |
| Industrial Luminaires | 77 |
| IQ Wave | 50 |
| IQ Wave Surface and Suspended | 26 |
| J | |
| Jupiter III | 32 |
| L | |
| LED Fit | 132 |
| Legend | 166 |
| Leopard | 152 |
| Linn | 104 |
| Loire | 63 |
| Loire LX | 64 |
| Lyric Deco | 66 |
| Lyric LED | 68 |
| M | |
| Mica | 98 |
| Mundial C | 144 |
| N | |
| Novaline | 61 |
| O | |
| Olsys Area | 134 |
| Olsys Illumination | 114 |
| Olsys Street | 198 |
| Omega Circular | 53 |
| Omega LED | 56 |
| Omega Pro | 54 |
| Orus LED | 204 |
| Outdoor Lighting | 97 |
| P | |
| Piazza II LED | 154 |
| Plurio LED | 168 |
| PopPack LED | 46 |
| Primata LED | 40 |
| Primata LED Mounting Accessories | 42 |
| Primata Pro | 44 |
| Prisma | 37 |
| R | |
| R-PEC | 205 |
| R2L2 | 188 |
| Recessed Architectural Floodlighting | 97 |
| Recessed Modular Luminaires | 49 |
| S | |
| Safety and Quality | 260 |
| Satin 2 | 116 |
| Sports Floodlighting | 137 |
| Sports Luminaires | 91 |
| Spotlights | 71 |
| Street Lighting | 187 |
| Surface Mounted Architectural Floodlighting | 107 |

| | |
|---|-----|
| T | |
| Thames | 60 |
| Thor | 200 |
| Thor Bollard | 181 |
| Titus Sport | 94 |
| Tonic Gimbal | 75 |
| Tonic Gyro | 74 |
| Tonic Spot | 72 |
| Tunnel Guidance | 211 |
| Tunnel Lighting | 207 |
| U | |
| Urba | 158 |
| Urba Bollard | 180 |
| Urba Deco | 160 |
| Urban Amenity Lighting | 157 |
| V | |
| Vioo | 123 |
| Voyager Blade | 238 |
| Voyager Compact LED | 283 |
| Voyager Escape | 234 |
| Voyager Fit | 230 |
| Voyager LED Series | 232 |
| Voyager Sigma | 235 |
| Voyager Solid | 226 |
| Voyager Style | 228 |
| Voyager Twin Spot | 231 |
| W | |
| Wall and Ceiling Decorative Luminaires | 59 |
| Wall Mounted Luminaires | 147 |

Addresses

UK

Thorn Lighting

ZG Lighting (UK) Limited
Durhamgate, Spennymoor,
County Durham, DL16 6HL
Tel: +44 (0) 1388 420 042
www.thornlighting.co.uk

Northern Ireland

ZG Lighting (UK) Limited
Building 3 Lesley Office Park
393 Hollywood Road
Belfast, BT4 2LS
Tel: +44 (0) 2890674310
www.thornlighting.co.uk

Republic of Ireland

ZG Lighting (Ireland) Limited
Century House
Harold's Cross road
Dublin 6W
Tel: +353 (0) 14922877
www.thornlighting.ie

Sales support

Tel: +44 (0) 844 855 4810
Fax: +44 (0) 844 855 4811

Quotations

Tel: +44 (0) 191 301 3036
uk.quotations@zumtobelgroup.com

TCS (After Sales)

Tel: +44 (0) 191 301 3939
tcs.uk@zumtobelgroup.com

Technical support

Tel: +44 (0) 844 855 4812
Fax: +44 (0) 191 301 3107
technical@thornlighting.com

Spare parts

Tel: +44 (0) 191 301 3131
Fax: +44 (0) 191 301 3038
spares@zumtobelgroup.com

Literature requests
Brochures on specific
products/ranges
emma.cronin@zumtobelgroup.com

NORDIC

Head office Nordic

ZG Lighting Nordic AB
Hyllie Boulevard 10b
215 32 Malmö, SWEDEN
Tel: +46 40 649 20 00
info.se@zumtobelgroup.com
www.thornlighting.se

Office Sweden

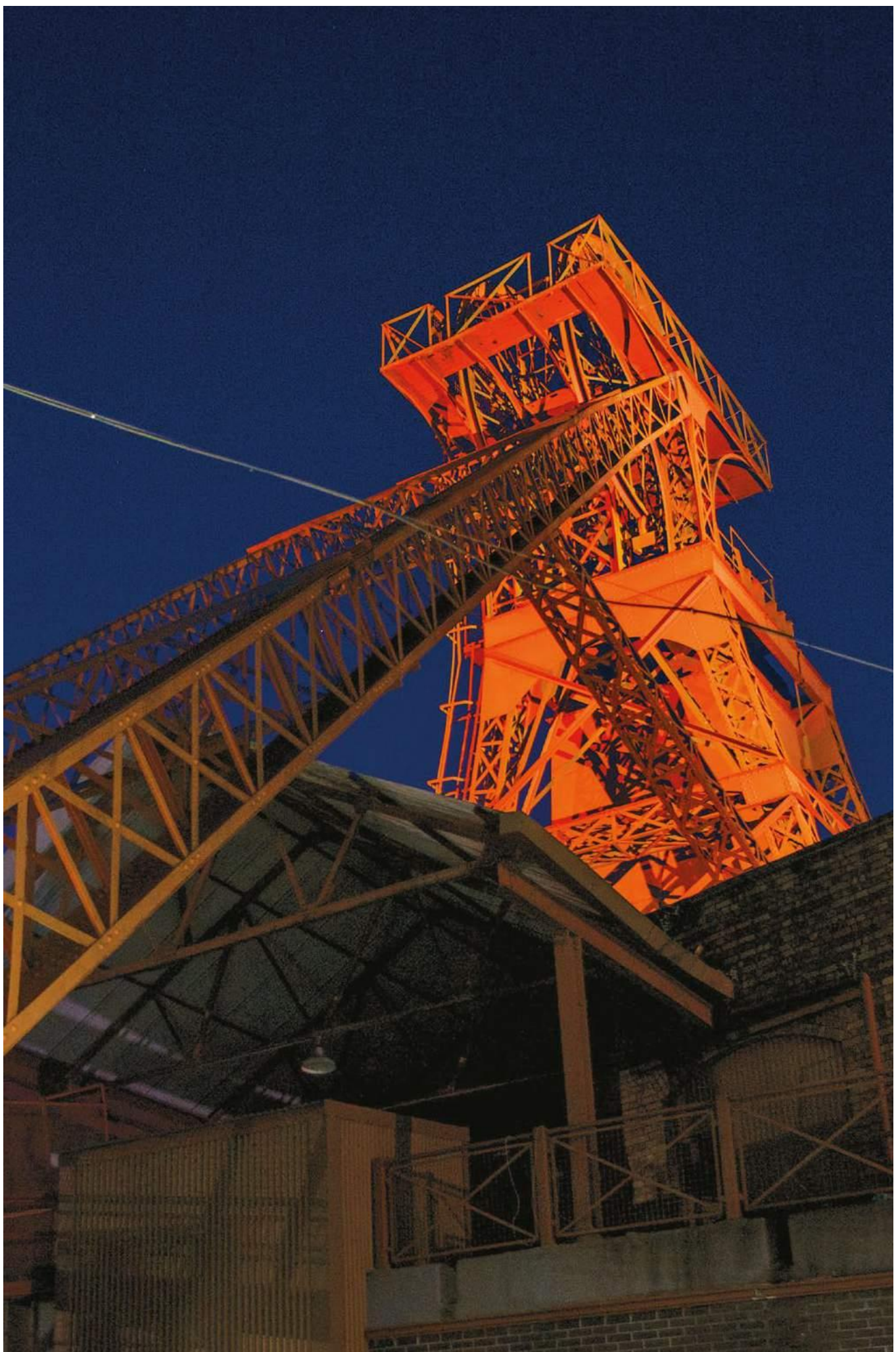
ZG Lighting Nordic AB
Birger Jarlsgatan 57
113 56 Stockholm
Tel: +46 8 26 26 50
info.se@zumtobelgroup.com
www.thornlighting.se

Office Denmark

ZG Lighting Denmark A/S
Stamholmen 155, 5. Sal
2650 Hvidovre
Tel: +45 7696 3600
info.dk@zumtobelgroup.com
www.thornlighting.dk

Office Norway

ZG Lighting Norway AS
Besøksadresse:
Bygdøy allé 4, 0257 Oslo
Postadresse:
Postboks 2522 Solli, 0202 Oslo
Tel: +47 22 54 72 00
info.no@zumtobelgroup.com
www.thornlighting.no



Photographers

Ad'hoc

Alain-Marc Oberlé

Areanow Studio

Piero Baguzzi

Balloide-Photo

Fabio Baraldi

Stefano Battaglia

RAPT - ING - Isabelle Bonnet

Xavier Boymond

Joss Burnham

Christophe Canadell (Noctabene)

Jean-Marc Charles

Pierre Crouzet

Serge Demailly

Michel Djaoui

Matteo Dovesi

Patrick Dumas

Jean-Pierre Duplan

Giancarlo Faccin

Andrea Flak

Chris Gascoigne

Bernd Grega

Maurizio Imperato

Jean Lacombe

imarken/Jens Larsen

Francesco Mattia

Philippe Merie

François Migeon (8'18")

Roger Narboni

Alain-Marc Oberlé

Pascual Photographie

Nicole Paul

Michael Nissen Petersen

Pascal Plessis

Stig Rune

Milène Servelle

Richard Seymour

Studio 1+1

Studio 4+5 Rouen

Studio VU

Hubert Taillard

Vincent Thiesson (Agence On)

Laurent Zylberman

Thorn Lighting is constantly developing and improving its products. All descriptions, illustrations, drawings and specifications in this publication present only general particulars and shall not form part of any contract. The right is reserved to change specifications without prior notification or public announcement. All goods supplied by the company are supplied subject to the company's General Conditions of Sale, a copy of which is available on request. All measurements are in millimetres and weights in kilograms unless otherwise stated.

© Copyright Thorn Lighting. All rights Reserved.

Publication Date: 02/18

SAP: 96644326



ZG Lighting (UK) Limited is resolutely concerned with quality and the promotion of good, efficient lighting practices. We are an active member of the Lighting Industry Association which is committed to raising standards of safety, performance and education in lighting.



WEEE Producer Responsibility ZG Lighting (UK) Ltd is a member of the Lumicom Producer Compliance Scheme. Through this scheme, depolluted luminaires (i.e. those with the lamps and batteries removed) which are being replaced by our fittings, will be recycled by Lumicom in an environmentally sound manner." Our Membership number is WEE/KG0206VY



As a globally leading luminaire manufacturer, Thorn Lighting provides a five-year warranty for its complete product range within all European Countries.



www.pefc.org

zumtobel group

The Zumtobel Group is a leading global provider of lighting and related services. Our group of specialists deliver the right solution for the lighting needs of all of our customers.

With our internationally established brands Thorn, Tridonic and Zumtobel as well as acdc, Thorn eco and Zumtobel Group Services we offer our customers a comprehensive range of products and services, combining our expertise in lighting infrastructures with that of leading technology partners to enable data-based services, connected buildings, cities and commerce.

acdc

THORN


THORN 

TRIDONIC


zgs zumtobel group
services

 **ZUMTOBEL**

SAP Description key A – M

| | |
|-------------|---|
| R2M | LED Driver for Ready 2 Mains Control |
| 10K | 10kv Surge Protection Device |
| 2C | Separate switching facility |
| 5D | 5 Degree |
| A | GLS types |
| A/A | Asymmetric - In all plane |
| A/CB | Asymmetric - Counterbeam |
| A/S | Asymmetric |
| A/S2 | Reflector shape/beam angle 20° |
| A/S3 | Reflector shape/beam angle 30° |
| A/S6 | Reflector shape/beam angle 60° |
| AA | Anodised (aluminium) |
| AC | Acrylic (PMMA) |
| ADC | Automatic disconnection |
| AF | Front access |
| AGS | Barndoors |
| AH | Air handling |
| AJ | Adjustable |
| AL | Aluminium (and alloys) |
| AMB | Amber |
| ANT | Anthracite (grey) |
| ANT | Emergency light distribution Antipanic (old AREA)  |
| AR | Anti reflection |
| Autotest | automatic Functiontest (old SelfTest) |
| AUX | Facility for Auxilliary lamp |
| BA | Brushed - aluminium |
| BAF | Baffle |
| BC | Bayonet cap B22 |
| BESA | Fixing for BESA conduit box |
| BK | Black (old BLK) |
| BOL | Bollard |
| BPL | Bi Power Power Line |
| BR | Brass (effect) |
| BRA | Bracket |
| BS | Brushed - steel |
| BU | Blue (old BLU) |
| C | Coupler - straight - mechanical |
| CAP | Canopy (hat) |
| CBOX | Connection box |
| CC | Integral circuit breaker (MCB) |
| CCO | Cylindro-Conical |
| CH | Fixing for chain |
| CHR | Chrome (effect) |
| CIRC | Circular profile |
| CL | Clear |
| CLIP | Clip (eg. diffuser retention clip) |
| CLO | Constant Light Output |
| CO | Conical |
| COL | Column |
| COR | Corridor Function via Pilot Line |
| COVER | Cover |
| CP | Switch start - high power |
| CRL | Circular louvre |
| CU | Copper |
| CW | Corner wash |
| D | Direct, 100% of flux downward |
| D/I | Direct/Indirect |
| DC | Dustcover |
| DGE | High pressure discharge lamps |
| DIM | Dimmers |
| DM | Dimpled |
| DMB | Parabolic reflector, mirrorbrite louvre |
| DSB | Parabolic reflector, satinbrite louvre |
| E1NM | 1 hour duration |
| E27 | Edison screw; gauges to E27 |
| E3 | 3 hour duration, manual test |
| E3-S | 3 hour manual test, switchable (M or NM) |
| E3D | 3 hour duration, DALI addressable/ SelfTest |
| E3D-S | 3 hour DALI addressable/SelfTest, switchable (M or NM) |
| E3M | 3 hour duration, manual test, maintained |
| E3MT | 3 hour duration, SelfTest, main- tained |
| E3MX | 3 hour duration, addressable test, maintained |
| E3NM | 3 hour duration, manual test, non-maintained |
| E3NMT | 3 hour duration, non-maintained SelfTest |
| E3R | 3 hour duration, with battery, Switch start |
| E3T | 3 hour duration, SelfTest |
| E3T-S | 3 hour duration, SelfTest, switchable (M or NM) |
| E3TX | 3 hour duration, DALI Addressable/ self test |
| E40 | Edison screw; gauges to E40 |
| EC | Central Battery |
| ECA | End cap - aluminium |
| ECC | Emergency Central Battery Circuit Monitoring |
| ECO | Conical |
| ECP | End cap - plastic |
| ECS | End cap - steel |
| ECS | Emergency Central Battery Set 009 |
| ECU | Curved profile |
| EDO | Domed |
| EDP | Deep dish or bowl |
| EFL | Flat panel/glass |
| EHF | High frequency - Fixed Output |
| EPR | Enclosure - prismatic |
| ESC | Emergency light distribution Escape (old ROUTE) |
| ESH | Shallow dish or bowl |
| ESQ | Square enclosure |
| EW2 | Enclosure with 2 windows |
| EWS | Street, Extra Wide Distribution |
| EWSC | Street, Extra Wide Comfort |
| EXT | Extensive |
| F | Diffuser in bezel frame |
| FA | Anchor bolt fixing |
| FAI | Anchor bolts included |
| FILTER | Filter |
| FIX | Fixing accessory |
| FIX/CAT | Fixing for catenary wire |
| FIX/SUP | Fixing supplementary |
| FL | Flood, ~ 20° - 30° |
| FP | Flex & Plug 3 core 1.7m (AUS) |
| FR | Frosted (sand blasted) |
| FRAME | Bezel frame |
| FSR | Frame surface to recessed (mounting frame) |
| GB | Gear Box |
| GL | Glass |
| GN | Green (old GRN) |
| GR | Grill |
| GRM | Cable entry grommet |
| GT | Gear tray |
| GY | Grey (old GRY) |
| HA | Starburst |
| HD | Heavy Duty; Safety Glass |
| HF | High frequency - Fixed Output |
| HFA | High frequency - Analogue Dimma- ble 1-10V |
| HFD | High frequency - DSI Dimmable |
| HFI | High frequency - DALI/DSI Dim- mable |
| HFI-X | High frequency - DALI Dimmable Only |
| HFIX | High Frequency - DALI Dimmable/ Switch DIM |
| HFX | High frequency - DALI Dimmable Only |
| HGF | Halogen Free wiring |
| HID | Magnetic high pressure |
| HIE | High pressure Iodide Elliptical |
| HIT | High pressure Iodide Tubular |
| HIT-CE | Ceramic High pressure Iodide |
| HIT-DE | High pressure Iodide Tubular |
| HIT-HST- DE | High pressure sodium Tubular |
| HME | High pressure mercury |
| HR | Hot restrike |
| HSE | High pressure sodium |
| HST | High pressure sodium Tubular |
| IHF | Industrie High frequency |
| INT | Intensive |
| IVS | Pedestrian Crossing Distribution |
| KIT | Kit (of components) |
| L | Large |
| LED | Light emitting diode |
| LEG | Legend |
| LF | Fresnel lens |
| LGRY | Light Grey |
| LN | Straight |
| LRT | Light Reduction Twin Phases |
| LV | Louvre |
| LVBACK | Louvre back |
| LVFRONT | Louvre front |
| M | Medium |
| MC | Cellular (eggcrate) |
| MCA | Catenary suspension only |
| MCE | Ceiling mounted only |
| MCH | Chain suspension only |

SAP Description key M – Z

| | |
|---------|--|
| MD | Mixed Vehicle & Pedestrian |
| MFS | Free Standing |
| MFY | Decorative Stirrup |
| MGR | Post (column) with root |
| MGS | Post (column) with ground spike |
| ML | Mains lead |
| MOD | Modern |
| MP | Micro-perforated |
| MPL | Post (column) with flange plate |
| MR | Mounting type - recessed |
| MRC | Mounting Recessed Ceiling |
| MRE | Recessed non specific |
| MRM | Metal ceiling |
| MRO | Knuckle joint (rotule) mounting |
| MRP | Plasterboard ceilings |
| MRS | Rod suspension only |
| MS | Mounting type - surface, mountable on wall and ceiling |
| MSC | Mounting Surface Ceiling |
| MSF | Surface non specific |
| MSR | Semi recessed |
| MSU | Suspended |
| MSW | Wire suspension only |
| MSW | Mounting Surface Wall (for Emergency luminaires)  |
| MSW1 | Wire suspension - single wire |
| MS-WF15 | Mounting type - surface, mountable on wall and ceiling, wire suspension 1.5m |
| MSWT | Wire suspension |
| MTP | Post top Accessory |
| MWA | Wall mounted only |
| NAF | Anchor bolts not included |
| NB | Without baffle |
| NBRA | With fixing holes |
| NC | Switch start - inductive |
| NG | No gear |
| NI | Nickel |
| NICD | Nickel Cadium |
| NR | Road, Narrow Distribution |
| NW | Narrow beam |
| OP | Opal |
| OV | Oval |
| P | Integral photocell |
| PC | Polycarbonate |
| PD | Pedestrian Only Motion |
| PE | Polyethylene |
| PET | PET (and PET/G) polyethylene terephthalate/glycol |
| PL | Power Line Control |
| PM | Integral mini photocell |
| PN | Integral Nema photocell facility (3 pin) |
| PN5 | Integral 5 pin Nema photocell facility |
| POL | Polished |
| PR | Prismatic |
| PS | Polystyrene |
| PSB | Parabolic reflectors, flat santinbrite vanes |
| PWC | Pedestrian Walkway Comfort |

| | |
|---------------|--|
| PXT | Parabolic reflectors, fir tree vanes |
| QA60 | All purpose halogen lamps |
| QF | Fixing - quick fix device |
| R | Reflector lamps |
| R/S | Radial - symmetric |
| R2M | LED Driver for Ready 2 Mains Control |
| RAL | Aluminium reflector |
| RBOX | Recessing box |
| RC | Road, Comfort Distribution |
| RCT | Rectangular profile |
| RD | Round |
| RF | Radio Frequency Control |
| RFRAME | Recessing bezel frame |
| RGB | Red, green, blue |
| RHB | Hammer blow |
| RING | Ring collar for lampholder |
| RK | Racklight, distribution |
| RM | Medium (physical width) |
| RMB | Specular - polished |
| RNW | Narrow (physical width) |
| RPF | Perforated |
| RPR | Plastic |
| RS | Stainless steel |
| RSB | Satin |
| RWD | Wide (physical width) |
| RWET | Road, Wet Distribution |
| RWH | White reflector |
| RX7S | Tungsten halogen linear |
| S | Small |
| S/S | Di-symmetric |
| S27G/ S34G | Side mounting 27G/34G |
| SA | Satin |
| SC | Street Comfort Distribution |
| SENLPS | Power supplies |
| SENLT | Tranceiver |
| SENP | Programmer |
| SF | Semi frosted |
| SIL | Silver (effect) |
| SL | Slotted |
| SLD | Presence (PIR) and daylight |
| SLDD | Daylight only detector |
| SLDM | Presence (microwave) only detector |
| SLDMD | Presence (microwave) and daylight detector |
| SLDP | Presence (PIR) only detector |
| SNW | Super narrow beam |
| SM-15 | Mountable legend set for one sided use with all directions |
| SM-1UP | Mountable legend arrow up |
| SM-S | Mountable legend set for one and two sided use (arrow up excluded) |
| SO | Integral socket |
| SP | Spot, - 10° - 12° |
| SPIKE | Ground fixing spike |
| SQ | Square |
| SR2 | Shock-proof plug |
| SS | Integral shaver socket |
| ST | Steel |

| | |
|---------|--------------------------------|
| STR | Street optic |
| SW | Integral switch |
| SWD | Dimming Switch |
| SX | Socket (X poles) |
| SY | Gloss/semi gloss |
| T | Low surface temperature |
| T16 | T5 (16mm dia) |
| T16-R | 22W to 60W |
| T26 | T8 (26mm dia) |
| TC-D | Tubular compact, two-fold |
| TC-DD | Tubular compact Double-D |
| TC-DDEL | Tubular compact Double-D |
| TC-DEL | Two-fold double tube compact |
| TC-L | Long Tubular compact |
| TC-S | Tubular compact, single |
| TC-SEL | Tubular compact, single |
| TC-T | Three-fold double tube |
| TC-TEL | Three-fold double tube comp |
| TC-TELI | Three-fold double tube |
| TL | Tall |
| TS | Integral socket for telephone |
| TW | Through wired |
| TWKIT | Through wire kit |
| U0 | 0% ULOR |
| VIS/VS | Visor |
| VWS | V reflectors, flat white vanes |
| W | Watt |
| WB | With baffle |
| WD | Wide beam |
| WG | Wire guard |
| WH | White (old WHI) |
| WI | Integral ignitor |
| WO | Wago type plug |
| WR | Road, Wide Distribution |
| WS | Street, Wide Distribution |
| WSC | Street, Wide Comfort |
| WW | Wall washer |
| X | Separator |
| XL | Extra large |
| XXL | Extra Extra large |
| YE/YEL | Yellow |

THORN

LIGHTING

UK

Thorn Lighting

ZG Lighting (UK) Limited
Durhamgate, Spennymoor,
County Durham, DL16 6HL
Tel: +44 (0) 1388 420 042
www.thornlighting.co.uk

Northern Ireland

ZG Lighting (UK) Limited
Building 3 Lesley Office Park
393 Hollywood Road
Belfast, BT4 2LS
Tel: +44 (0) 2890674310
www.thornlighting.co.uk

Republic of Ireland

ZG Lighting (Ireland) Limited
Century House
Harold's Cross road
Dublin 6W
Tel: +353 (0) 14922877
www.thornlighting.ie

NORDIC

Head office Nordic

ZG Lighting Nordic AB
Hyllie Boulevard 10b
215 32 Malmö, SWEDEN
Tel: +46 40 649 20 00
info.se@zumtobelgroup.com
www.thornlighting.se

Office Sweden

ZG Lighting Nordic AB
Birger Jarlsgatan 57
113 56 Stockholm
Tel: +46 8 26 26 50
info.se@zumtobelgroup.com
www.thornlighting.se

Office Denmark

ZG Lighting Denmark A/S
Stamholmen 155, 5. Sal
2650 Hvidovre
Tel: +45 7696 3600
info.dk@zumtobelgroup.com
www.thornlighting.dk

Office Norway

ZG Lighting Norway AS
Besøksadresse:
Bygdøy allé 4, 0257 Oslo
Postadresse:
Postboks 2522 Solli, 0202 Oslo
Tel: +47 22 54 72 00
info.no@zumtobelgroup.com
www.thornlighting.no



5 YEAR
WARRANTY